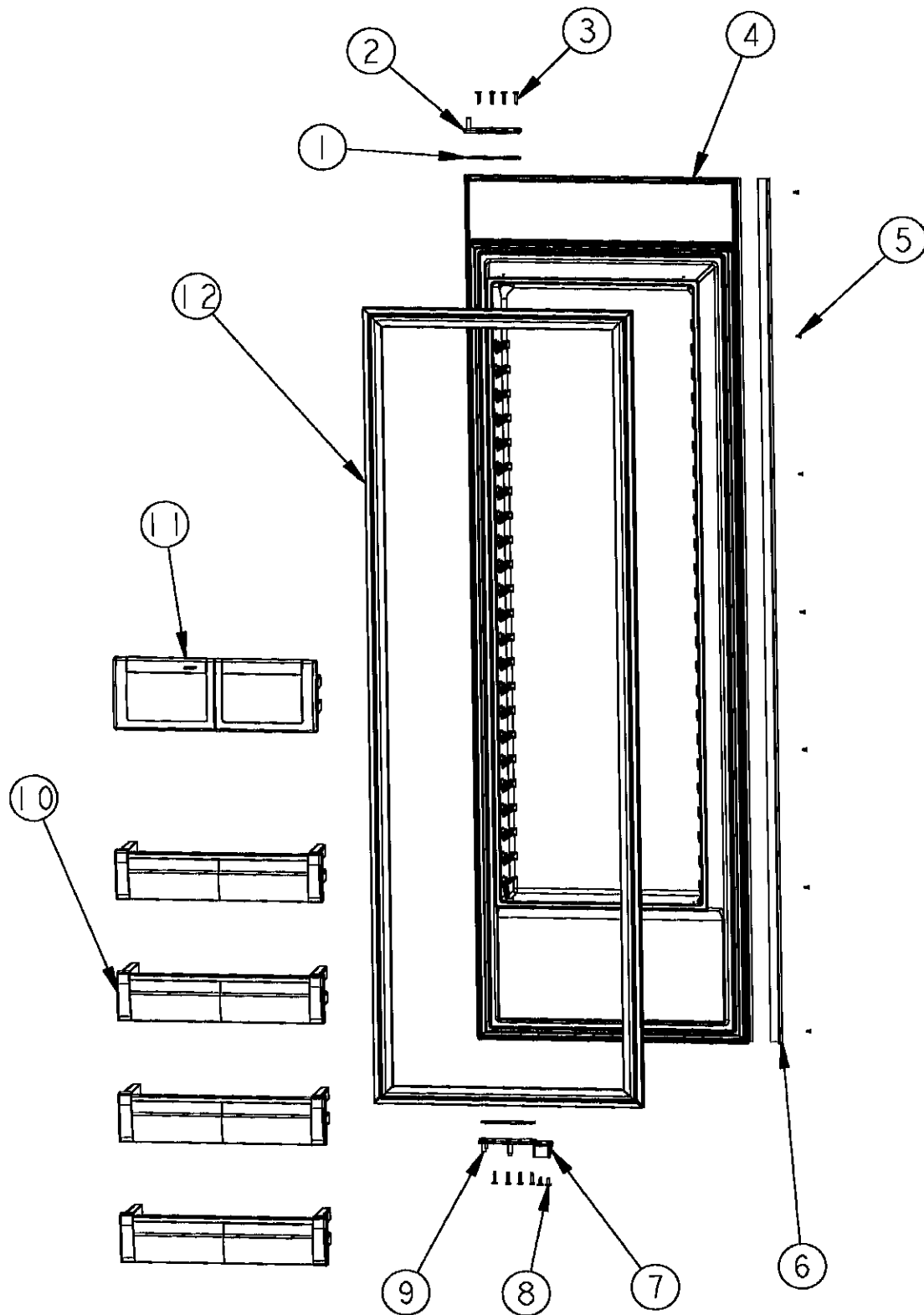


Illustrated Parts Lookup - DDSB423 JMAG - R SERIES, 006 - REFRIGERATOR DOOR FOAM AREA

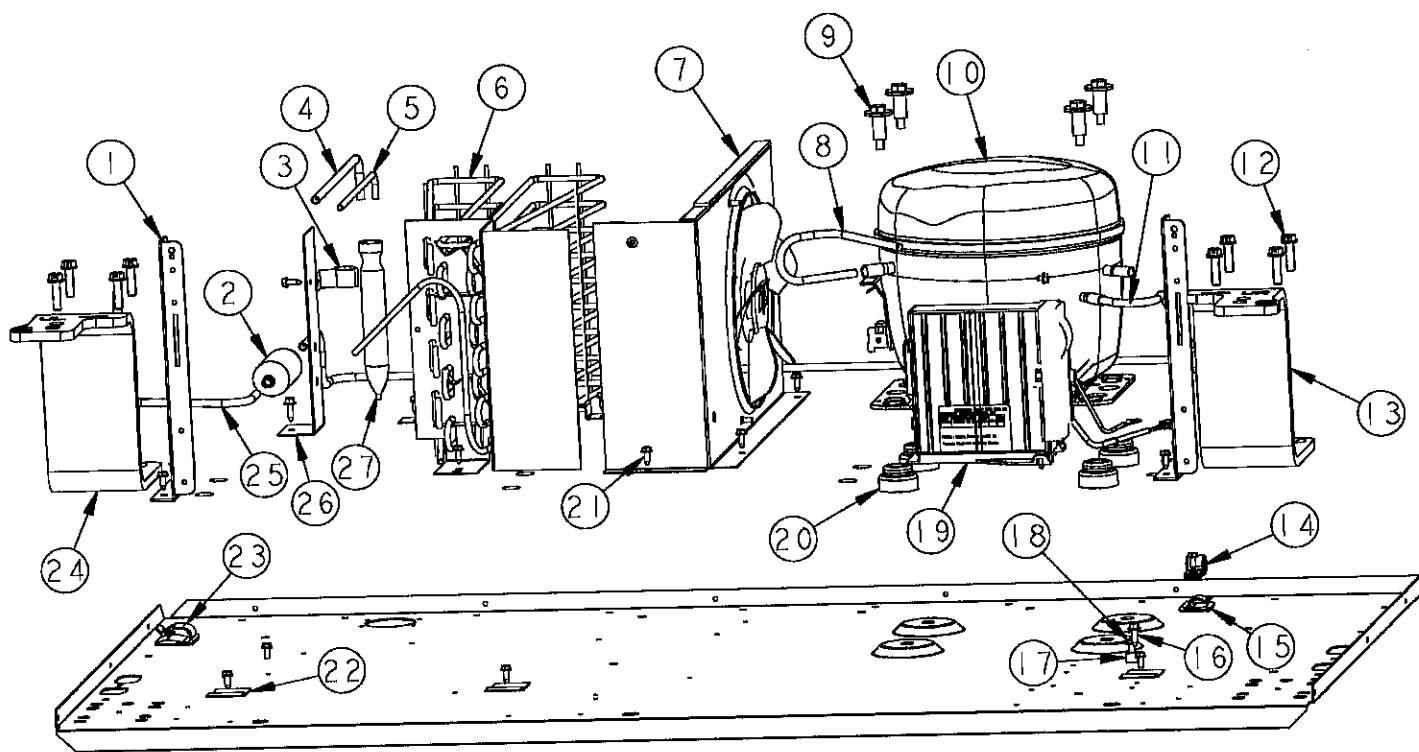


Illustrated Parts Lookup

Parts for VIKING Model "DDSB423 JMAG - R SER", Image Section "006 - REFRIGERATOR DOOR
FOAM AREA"

Item	Part Number	Part Description	Alt Part	Series	Qty
1	PD040162	SPACER-DOOR HINGE			
2	PC020278	PIVOT PL ASM RH UP PRO/DES			
3	PD920174	10-32 TORX HEAD SCREW			
4	G32915037	DOOR ASM 42/42D FF (INCLUDES GASKET)			
5	M0215704	SCREW-SM			
6	PK930006	SPACER - SS DES			
7	PD050019	STRIKER DOOR SWITCH			
8	M0210458	SCREW-SM	VM0210458		
9	PC020276	PIVOT PL ASM RH LW PRO/DES	016181-000		
10	G5098675	DOORBIN ASM SXS 42 FF			
11	PK930123	DAIRY MODULE ASM SXS 42			
12	PB070329	DOOR GASKET (BEFORE 06-10-08)	001957-000		
	005451-000	GASKET,ASM,42,SXS,FF VIDNO. 602711807-17 (ON OR AFTER 06-10-08)			

Illustrated Parts Lookup - DDSB423 JMAG - R SERIES, 014 - UPPER UNIT AREA

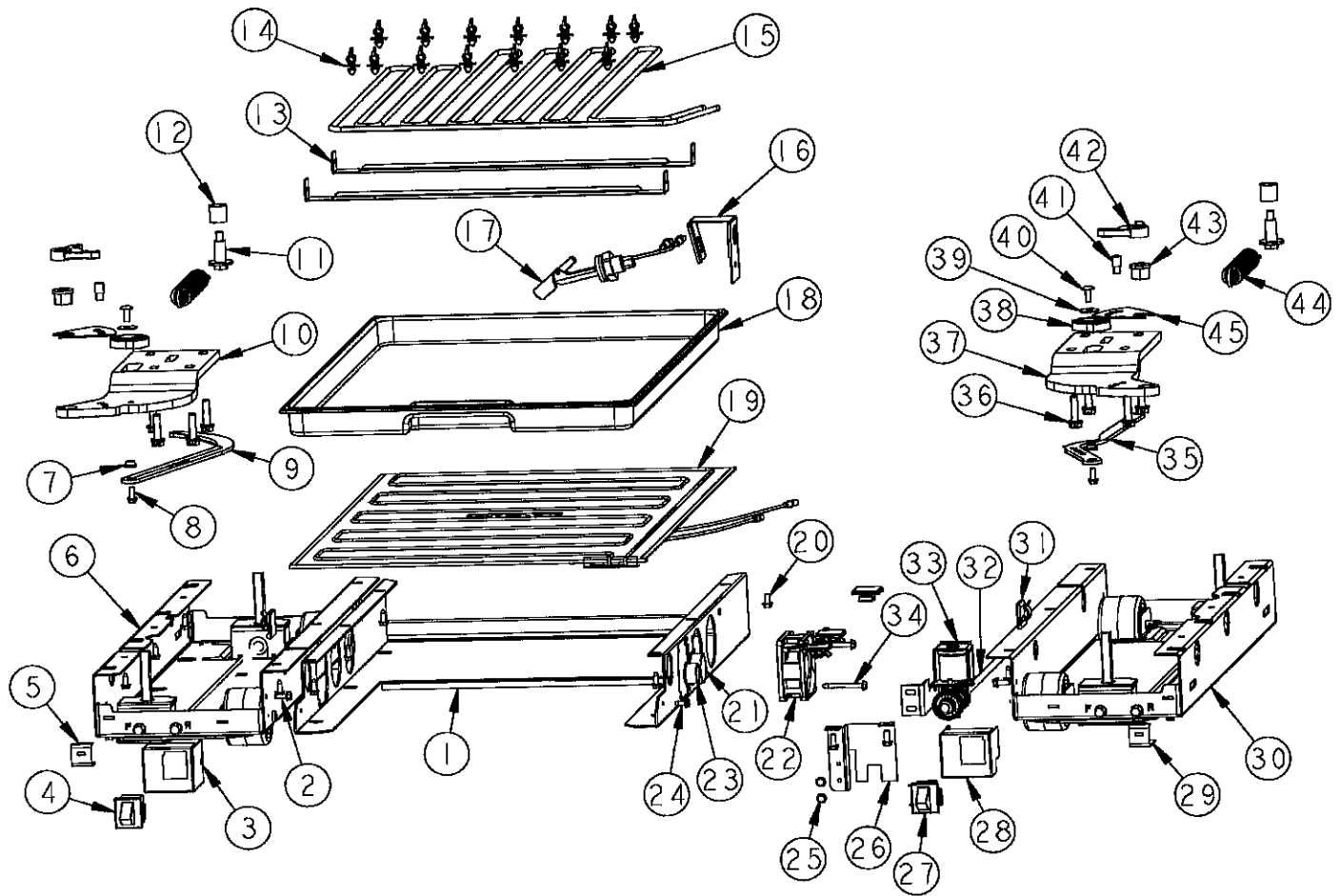


Illustrated Parts Lookup

Parts for VIKING Model "DDSB423 JMAG - R SER", Image Section "014 - UPPER UNIT AREA"

Item	Part Number	Part Description	Alt Part	Series	Qty
1	K20912569	BRACKET GRILLE SUPPORT			
2	PB920201	ACCUMULATOR			
3	10547001	CLIP-DRIER V10547001			
4	F2097740	TUBE PROCESS			
5	F2096504	TUBE-DRIER EXT			
6	PB920171	CONDENSER ASM			
7	G5096494	COND. FAN ASSY			
8	F2096507	TUBE-PROCESS GRN			
9	M0221523	SCREW - SHLDR			
10	G5097976	COMPRESSOR ASSEMBLY (363 AND 483)			
11	F2099443	TUBE DISCHARGE FORMED PRE ACCUM			
12	000570-000	HEX SCREW			
13	PC920203	HINGE ASM UR			
14	PD030118	SCREW - SHLDR			
15	M0104106	CLIP-CORD VM0104106			
16	PD020195	SCR 8-18 X 5/8			
17	M0103904	CLAMP-SPEED			
18	PD020010	10 X 3/8 GREEN GROUNDING SCREW			
19	PE070849	INVERTER	002574-000		
20	10835901	GROMMET RUBBER V10835901			
21	PD020194	SCREW-SM			
22	K2096943	PANEL BRACKET			
23	M0104102	CLIP-CORD RED			
24	PC920204	HINGE ASM UL			
25	F2099444	TUBE DISCHARGE FORMED POST ACCUM			
26	K2099454	BRACKET DRIER			
27	10743201	DRIER, HI SIDE			

Illustrated Parts Lookup - DDSB423 JMAG - R SERIES, 018 - LOWER UNIT AREA



Illustrated Parts Lookup

Parts for VIKING Model "DDSB423 JMAG - R SER", Image Section "018 - LOWER UNIT AREA"

Item	Part Number	Part Description	Alt Part	Series	Qty
1	K20915952	SHIELD BOTTOM DRAIN			
2	M0220417	SCREW-TC			
3	002668-000	SWITCH,GRILLE,MT,LH			
4	PE950146	SWITCH SPDT BLACK			
5	K2098096	BRKT GRILLE SUPPORT			
6	PM910399	LEVELER MODULE L			
7	PD940094	BUSHING			
8	M0220417	SCREW-TC			
9	PC920149	BAR-WC BOT HINGE LH			
10	PC020289	HINGE PLATE LL			
11	M0221523	SCREW - SHLDR			
12	PD940107	ROUND SPRING SPACER			
13	K20911831	BRACKET CONDENSATE SUPPORT			
14	PD030146	STAND OFF LOCK CLIP			
15	F20915693	SERPENTINE CONDENSER DRAIN ALL SXS'S			
16	B20915627	BRACKET HORIZ FLOAT SWITCH			
17	PE050248	FLOAT SWITCH HORIZONTAL			
18	PK930348	PAN DRAIN			
19	G50914125	TRAY PAN HEATER	G50911853		
20	PD020010	10 X 3/8 GREEN GROUNDING SCREW			
21	A4554817	BUSHING-SNAP VA4554817			
22	000731-000	AXIAL FAN			
23	A4554806	BUSHING-SNAP VA4554806			
24	M0253916	SCREW-TF			
25	PD020194	SCREW-SM			
26	K20913788	BRKT VALVE H2O SINGLE			
27	PE950147	SWITCH SPST NC BLACK			
28	002667-000	SWITCH,GRILLE,MT,RH			
29	K2098044	BRKT GRILLE SUPPORT			
30	PM910398	LEVELER ASSEMBLY - R			
31	M0104106	CLIP-CORD VM0104106			
32	PB020304	PLASTIC TUBING-IM WATERLINE NON DISP (SXS)			
33	PA970012	SINGLE WATER VALVE			
34	PD020188	SCR 8-18 BT HXWS 1 1/2			
35	PC920166	BAR-WC BOT HINGE RH			
36	000570-000	HEX SCREW			
37	PC920215	HINGE PLATE SXS LR			
38	PM010602	CAM DOOR ADJUSTMENT			
39	000586-000	WSHR FENDER .219X.688 X.030 BO			
40	PD020234	SCREW THP 10-32 X .500 SS BO			
41	PC930145	DOOR STOP PIN	PC920145		
42	PD940091	BUSHING - DOOR STOP			
43	PD940090	BUSHING - WC DOOR LEVEL			
44	PC910015	SPRING EXTENSION			
45	PC920144	PLATE - WC DOOR SHIM			