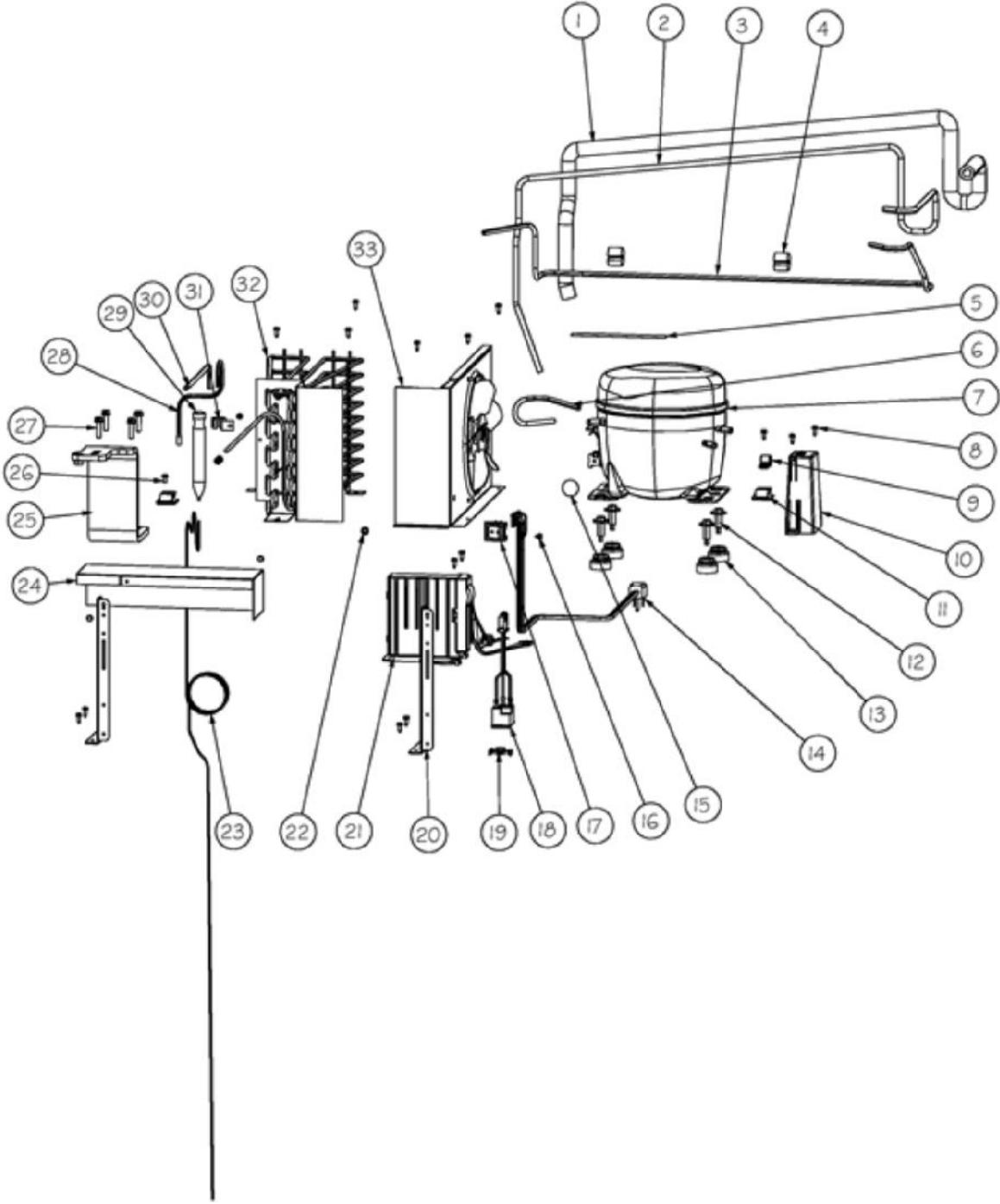
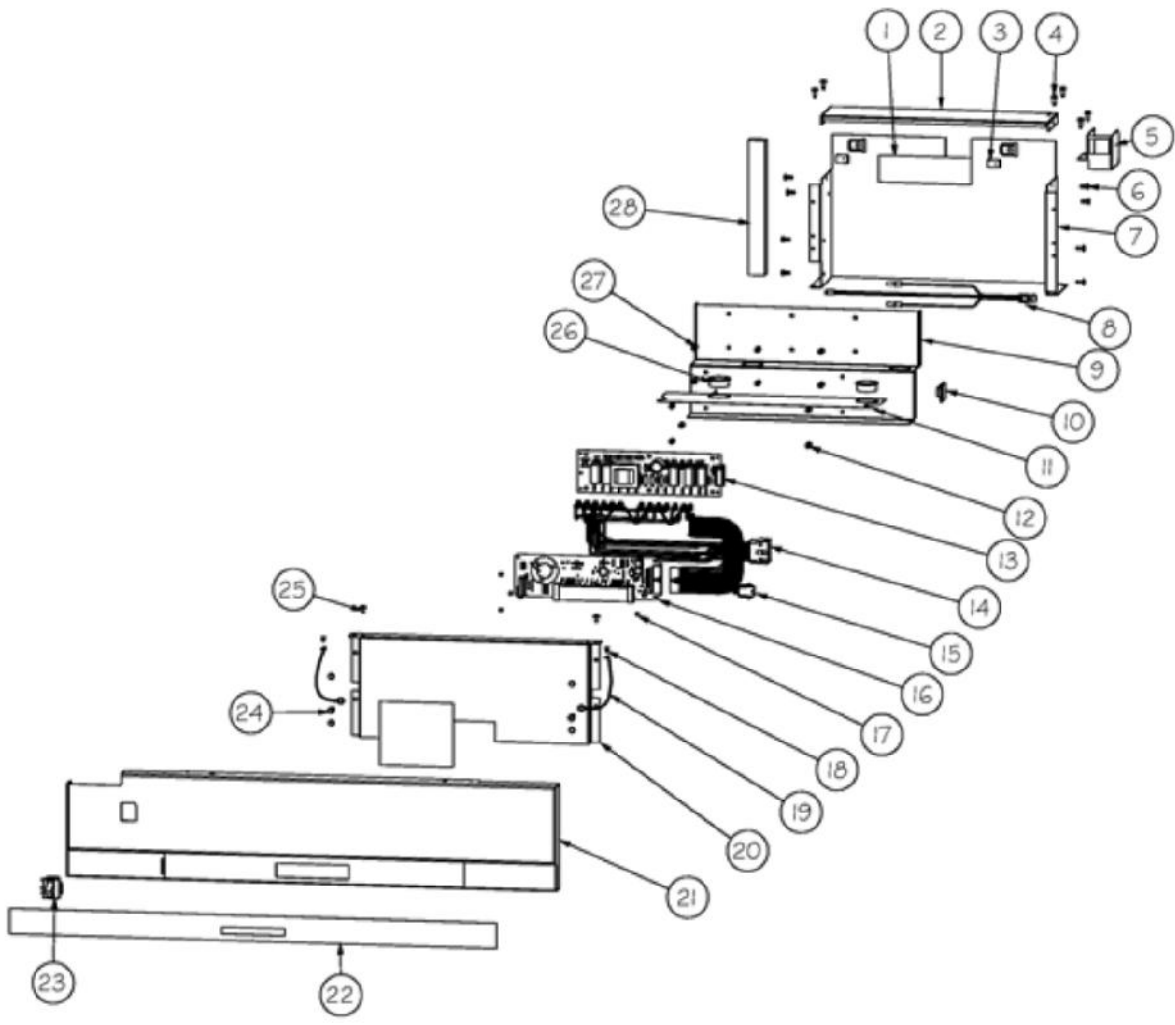


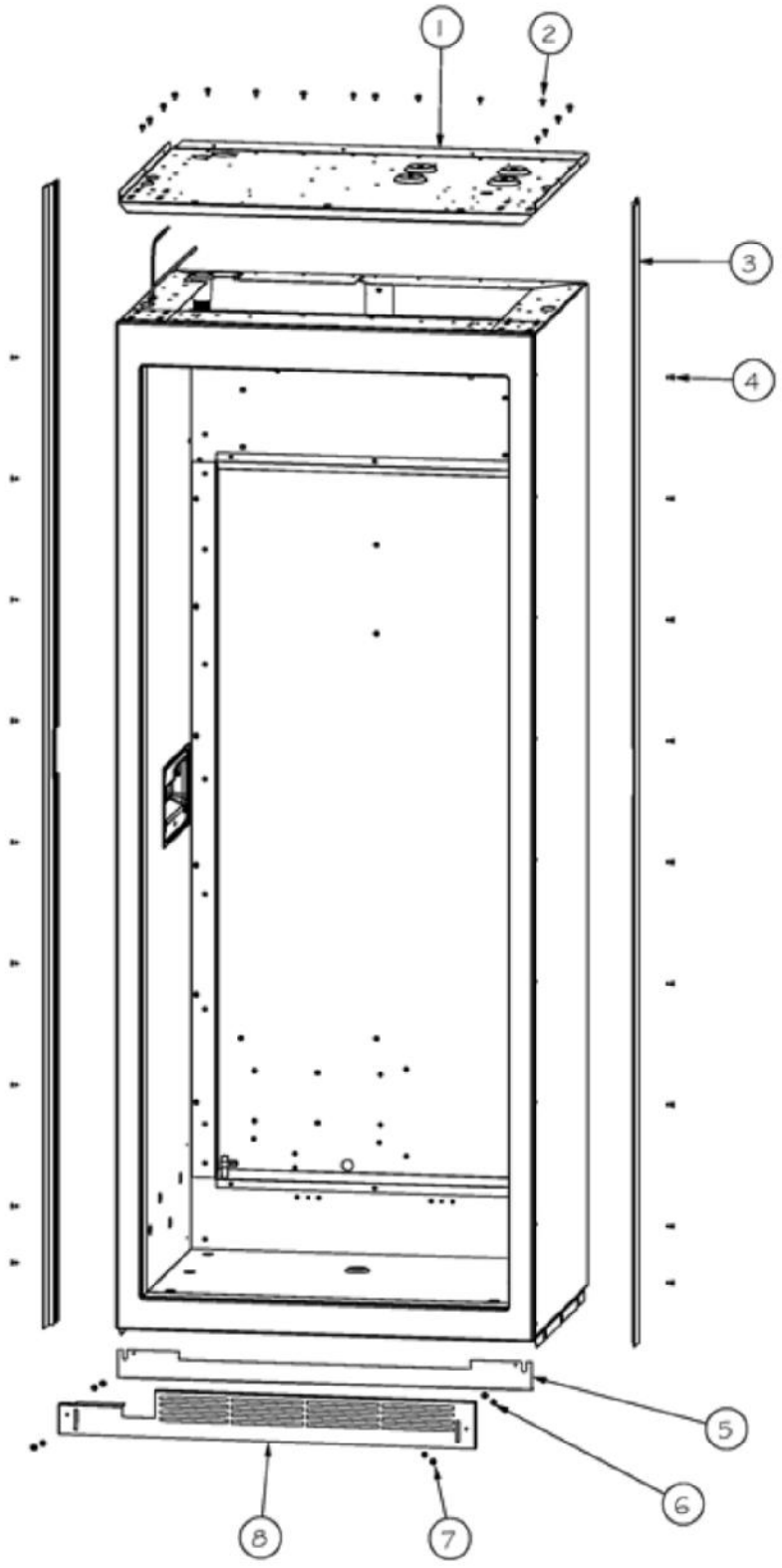
Ref #	Part Number	Qty.	Description
1	L2099492	1	BRACKET LIGHT SXS 48 FF
2	A3079001	4	LAMP - 40W
3	PE950125	4	LIGHT SOCKET
4	PD020195	14	SCR 8-18 X 5/8
5	PK930268	1	COVER LIGHT ASM AF AR 30 SXS 48 FF
6	PM010529	2	SHELF ASM GLASS 30 AR 48 FF
7	M0238535	12	SCREW-SM
8	PM910280	2	LADDER SIDE AF 30 36
9	B5733302	2	CLIP-GROUND
10	10270203	2	HOUSING-LIGHT V10270203
11	000730-000	1	MEAT SAVOR FAN - 3.8 W
12	M0581001	16	GROMMET-SCREW
13	PK930283	1	DUCT MEATSAVOR SPACER
14	PK930172	1	COVER CONTROL MEAT SAVOR
15	PK930168	1	DIAL CONTROL MEAT SAVOR
16	M0224128	1	SCREW-SM
17	PM910334	1	ROLLER TENSION
18	PK930169	1	DUCT MEAT SAVOR SXS 42/48 R
19	PK930175	1	SUPPORT DRAWER MEAT SAVOR SXS 42/48 R
20	PK930309	1	DRAWER MEAT SAVOR AR 30 SXS 48
21	PK930173	1	SUPPORT SLIDE MEAT SAVOR SXS 42/48 R
22	PD920162	6	SCR 8-16 PLASTITE PNP 1/4 S
23	PM910287	1	SLIDE MEAT SAVOR R
24	PM910288	1	SLIDE MEAT SAVOR L
25	PK930174	1	SUPPORT SLIDE MEAT SAVOR SXS 42/48 L
26	PK930176	1	SUPPORT DRAWER MEAT SAVOR 42/48 L
27	020100-000	1	DOOR MEATSAVOR ASM AR 30 SXS 48
28	PK930308	1	SHELF MEAT SAVOR AR 30 SXS 48
29	PK930284	1	DUCT MEATSAVOR LEFT
30	M0211021	11	SCREW-SM
31	PK930307	1	DUCT MEAT SAVOR AR 30 SXS 48
32	G32911938	2	DRAWER DELI ASM SXS AR 30
33	G50911937	2	SHELF ASM
34	PK930346	2	COVER LIGHT
35	012259-000	2	DRAWER PRODUCE ASM AR 30/48



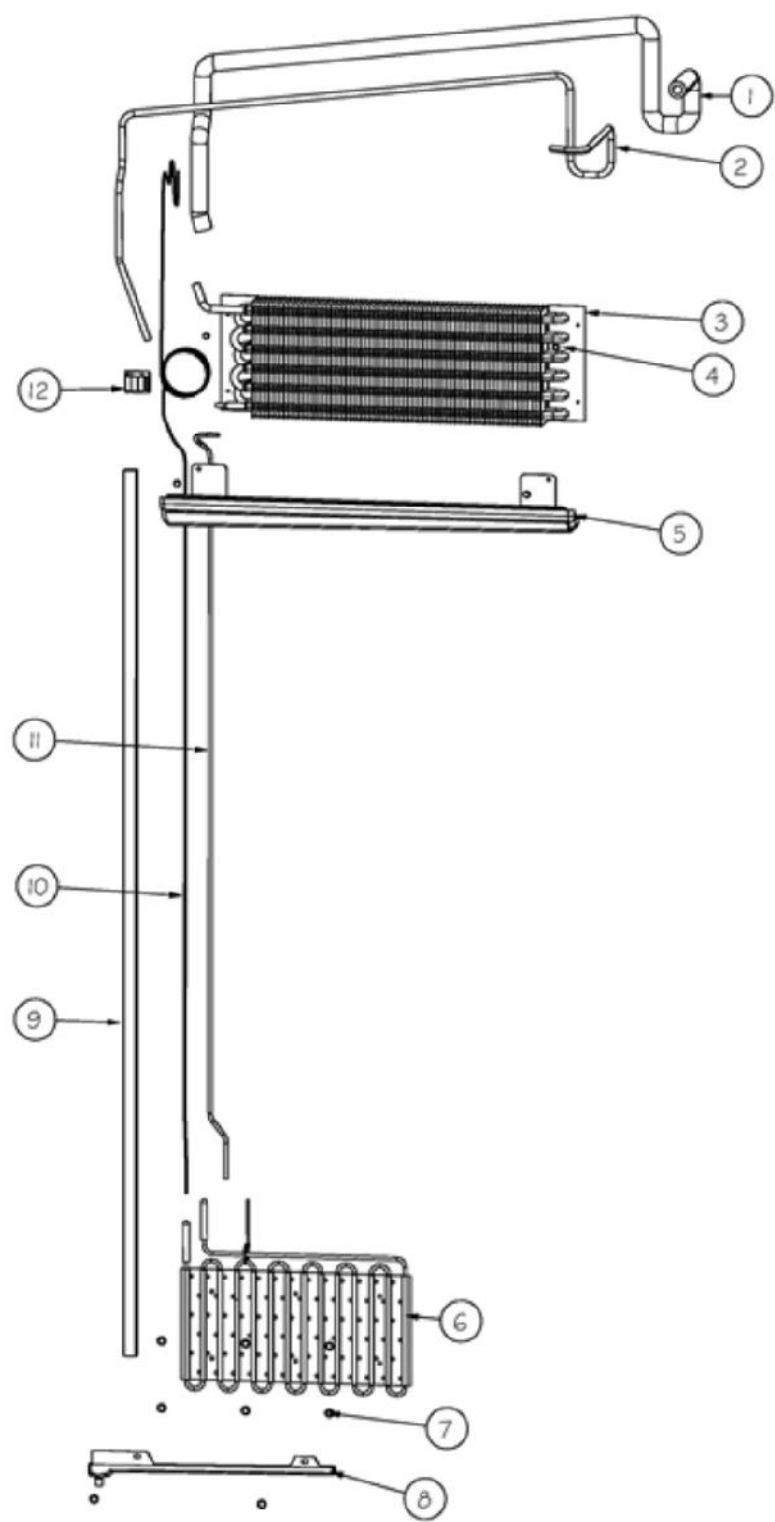
Ref #	Part Number	Qty.	Description
1	PB970187	1	INSULATION TUBING 57.500
2	F20911126	1	TUBE SUCTION AR 30
3	F20910729	1	TUBE DISCHARGE FORMED AF AR 36
4	10699601	2	DAMPER-TUBING .8
5	C8982701	1	LABEL-COMP WARN
6	F2096507	1	TUBE-PROCESS GRN
7	PM010620	1	COMPRESSOR VCC
8	PD020194	18	SCREW-SM
9	PD030118	1	SCREW - SHLDR
10	PE970608	1	POWER SUPPLY 24 VDC 15 W
11	M0104102	2	CLIP-CORD RED
12	M0221523	4	SCREW - SHLDR
13	10835901	4	GROMMET RUBBER V10835901
14	10916507C	1	CORD-POWER V10916507
15	PF930682	1	LABEL WARNING INVERTER
16	M0211014	1	SCREW-SM
17	PE950149	1	SWITCH POWER
18	G50915958	1	ASM AR SABBATH MODE RELAY
19	M0327801	1	SPLICE TAP
20	K20912569	2	BRACKET GRILLE SUPPORT
21	002574-000	1	INVERTER COMPRESSOR
22	007407-000	2	RING,LOK, .187 DIA
23	F20912567	1	TUBE CAPILLARY FORMED
24	K20912570	1	DIVERTER AIR HI SIDE 30
25	PC920204	1	HINGE ASM UL
NI	PC920203	1	HINGE ASM UR
26	PD020010	1	10 X 3/8 GREEN GROUNDING SCREW
27	000570-000	1	HEX SCREW
28	003325-000	1	TUBE DRIER COND.
29	PM910381	1	DRIER - HIGH SIDE
30	F2097740	1	TUBE PROCESS
31	10547001	1	CLIP-DRIER V10547001
32	PB920171	1	CONDENSER ASM
33	G5096494	1	COND. FAN ASSY
NI	PK930424	1	VALVE POP UP ASM



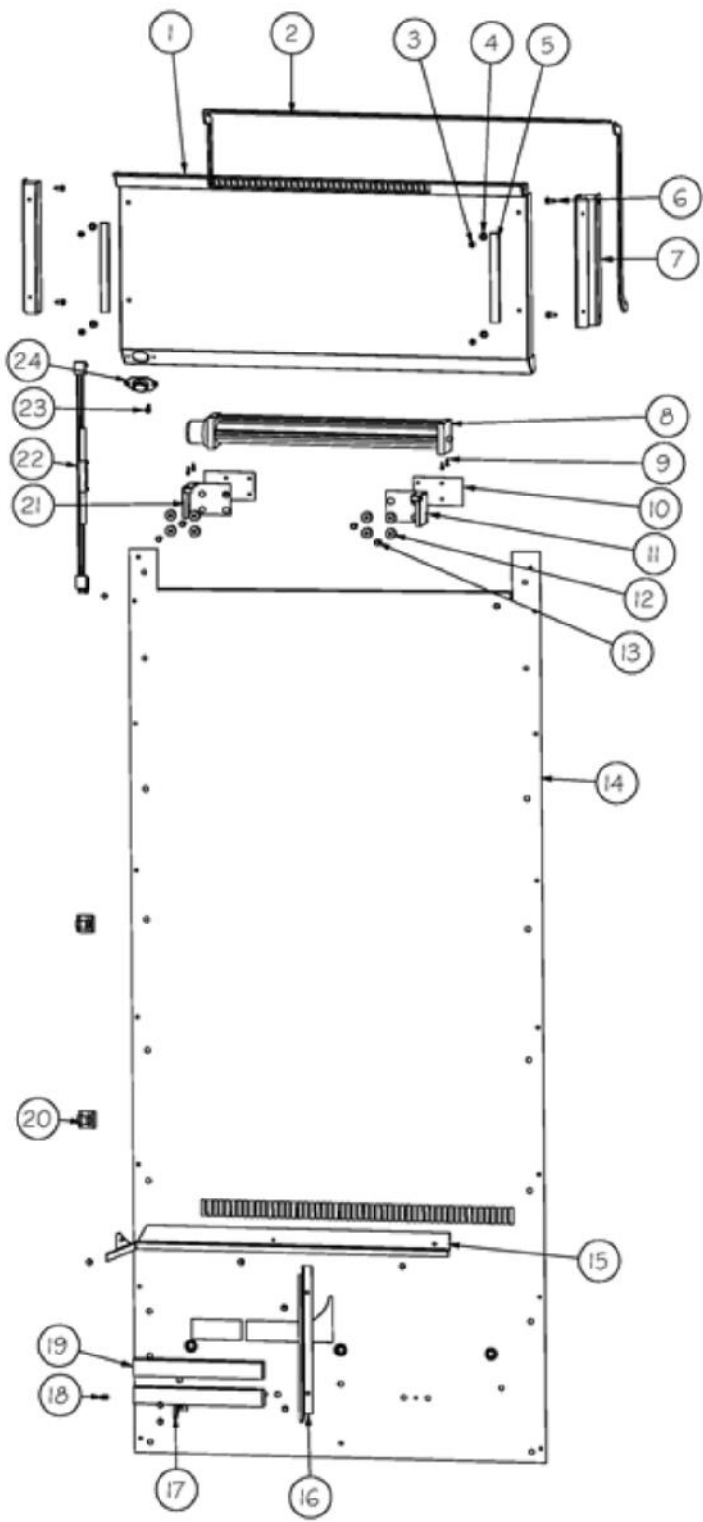
Ref #	Part Number	Qty.	Description
1	PF930672	2	LABEL DC COMPRESSOR
2	K20915000	1	CONTROL BOX TOP
3	M0288120	2	NUT-SPEED, VM0288120
4	PD020194	10	SCREW-SM
5	K2098654	1	BRACKET SWITCH POWER
6	PC040010	8	POP RIVET
7	K2099402	1	CONTROL BOX
8	PE970609	1	HARNESS CONTROL BOARD
9	K20910060	1	BRACKET - PC
10	M0104106	1	CLIP-CORD VM0104106
11	PM910325	1	FILM PROTECTIVE
12	M0585506	5	SUPPORT
13	PE970463	1	POWER CONTROL BOARD
14	PE070785	1	HARNESS HIGH VOLT
15	PE970464	1	HARNESS LOW VOLT
16	PE070728	1	BOARD LOW VOLTAGE
17	PD020013	4	TYPE AB NO.6 X 3/8 PH PAN HD. SMS
18	PC040010	2	POP RIVET
19	12064001	2	SUPP-CONT PANEL
20	K20910061	1	CONTROL BOX FRONT
21	PK030457	1	PANEL CONTROL AR 30 L
22	010509-000	1	OVERLAY SWITCH AR 30
23	PE950122	1	SWITCH
24	M0238846	2	SCREW-SHLDR
25	M0224128	2	SCREW-SM
26	A4554817	2	BUSHING-SNAP VA4554817
27	M0585504	6	SUPPORT
28	A3030361	1	GASKET, RED



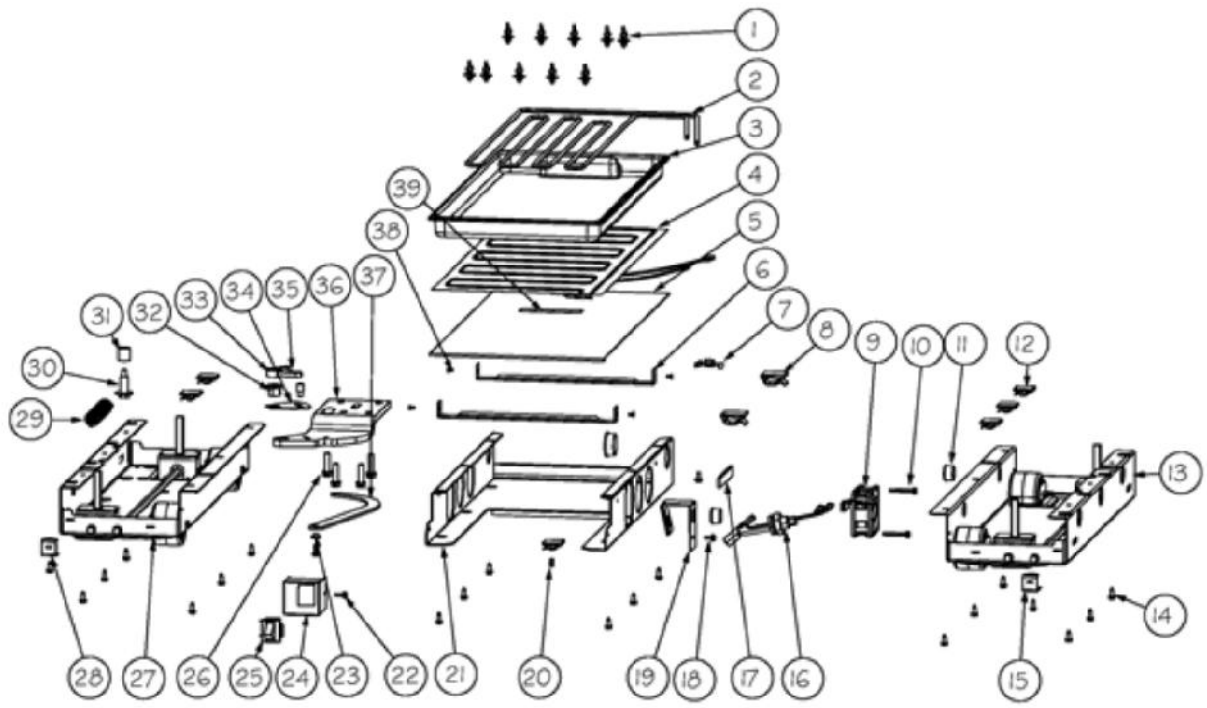
Ref #	Part Number	Qty.	Description
1	K2099037	1	OC TOP AF AR 30
2	PD020193	16	SCR 8-18 X 3/8
3	PK920066	2	SIDE TRIM
4	M0215318	18	SCREW-SM
5	000206-002	1	KICKPLATE, LWR
6	40370P01	4	NYLON FLAT WASHER V40370P01
7	M0210443	4	SCREW-E SM
8	C20910752	1	GRILLE TOE VENTED 30 LH



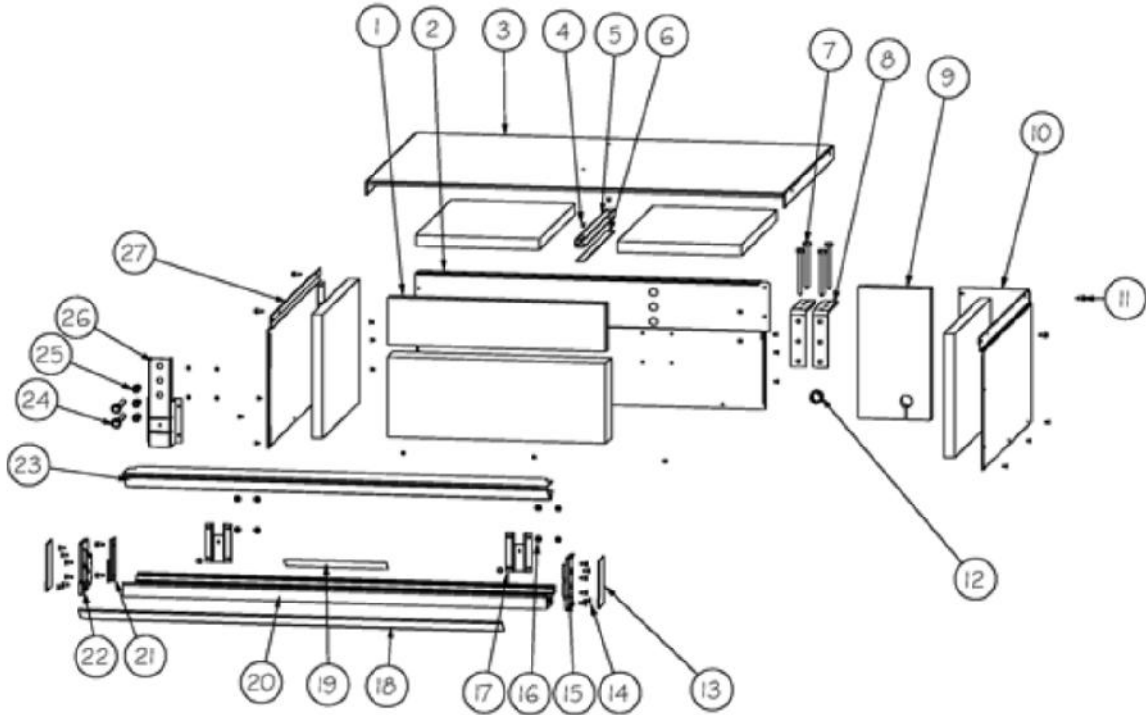
Ref #	Part Number	Qty.	Description
1	PB970188	1	INSULATION TUBING 45.000
2	F20911126	1	TUBE SUCTION AR 30
3	PM910457	1	EVAPORATOR AR 36 30
4	PD020194	4	SCREW-SM
5	G50914188	1	DRAIN PAN ASM UPPER AR30
6	PM910496	1	MS HEAT EXCH ASM AR 36 30
7	PD020032	8	SRW-8(A)X3/8PH.WFR HD 7/16DIAXNICL
8	PK030445	1	PAN DRAIN LOWER EVAP AR 30 36
9	PK030446	1	DRAIN VERTICAL AR 30 36
10	F20912567	1	TUBE CAPILLARY FORMED
11	F20913719	1	TUBE EVAP AR 30
12	M0104102	1	CLIP-CORD RED



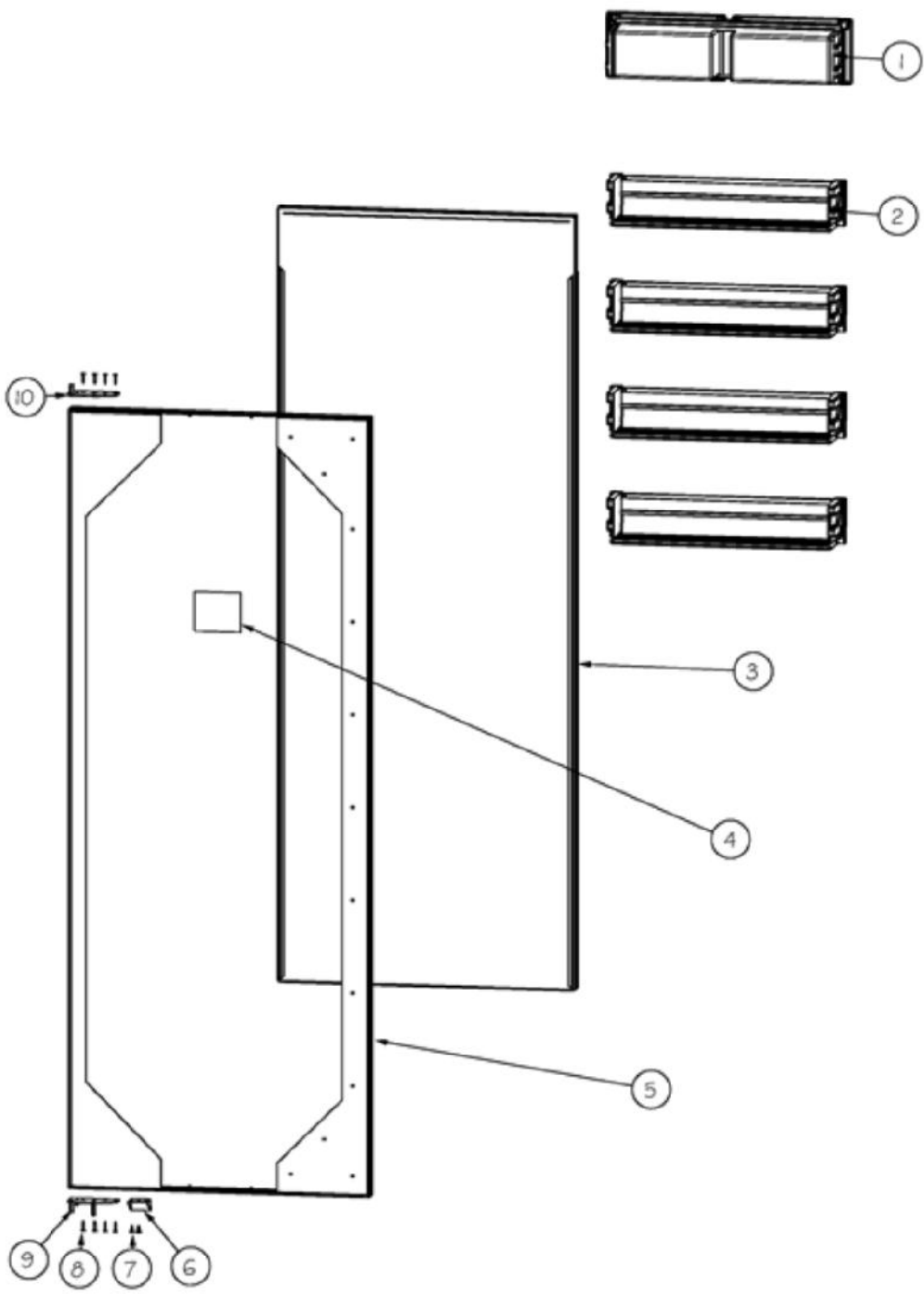
Ref #	Part Number	Qty.	Description
1	L20914101	1	COVER EVAP AR 30
2	G50911940	1	COVER EVAP & AIR HANDLING ASM AR 30
3	PD020238	4	SCR WH HEX WSHR HD SLTD NO.8-18 X 1/2
4	PD040150	4	WASHER FLAT NYLON NO.10
5	PB070288	2	1/4 X 1/2 CLOSED CELL SPONGE
6	PD020194	13	SCREW-SM
7	K20914102	2	ANGLE UPR EVAP MNT AR 30 36
8	PE950154	1	FAN EVAP HORIZ AF AR 30
9	PD020013	3	TYPE AB NO.6 X 3/8 PH PAN HD. SMS
10	B10914128	2	SPACER FAN AR 36/30
11	K20914130	1	BRKT, FAN MTG RT AR 30
12	12234001	8	GROMMET-VIBRATION
13	M0238859	4	SCREW-SHLDR
14	L20910734	1	COVER LARGE SUMP AR 30
15	L20913709	1	DIVIDER AIR AR 30
16	K20912393	1	PLATE BAFFLE VERTICAL AR 30
17	K20912394	1	PLATE BAFFLE VERTICAL SMALL AR 30
18	12115101	1	CLAMP-TUBE V12115101
19	A3030361	1	GASKET, RED
20	M0104106	2	CLIP-CORD VM0104106
21	K20914131	1	BRKT, FAN MTG LT AR 30
22	PE970641	1	JUMPER FAN RESISTOR
23	PD020010	1	10 X 3/8 GREEN GROUNDING SCREW
24	C8983701	1	THERMISTOR



Ref #	Part Number	Qty.	Description
1	PD030146	1	STAND OFF LOCK CLIP
2	F2099927	1	SERPENTINE AF AR 30
3	PK930347	1	PAN-DRAIN AF AR 30
4	PE070823	1	PAN HEATER AFAR 30
5	L20915602WH	1	TRAY PAN HEATER AF/AR 30
6	K20911832	1	BRACKET CONDENSATE SUPPORT
7	M0327801	1	SPLICE TAP
8	M0104102	2	CLIP-CORD RED
9	000731-000	1	AXIAL FAN
10	PD020274	2	SCR SLTD HEX WSHR HD 8X1.250 BT
11	A4554806	2	BUSHING-SNAP VA4554806
12	M0104106	4	CLIP-CORD VM0104106
13	PM910398	1	LEVELER ASSEMBLY - R
14	PD020194	13	SCREW-SM
15	K2098044	1	BRKT GRILLE SUPPORT
16	PE050248	1	FLOAT SWITCH HORIZONTAL
17	PF930654	1	LABEL CONDENSATE FAN SERVICE
18	M0253916	1	SCREW-TF
19	B20915627	1	BRACKET HORIZ FLOAT SWITCH
20	G50915603	1	PAN HEATER ASM AF/AR 30
21	K20915953	1	SHIELD BOTTOM DRAIN
22	M0220417	2	SCREW-TC
23	PD940094	1	BUSHING
24	002668-000	1	SWITCH,GRILLE,MT,LH
25	PE950147	1	SWITCH SPST NC BLACK
26	000570-000	2	HEX SCREW
27	PM910399	1	LEVELER MODULE L
28	K2098096	1	BRKT GRILLE SUPPORT
29	PC910015	1	SPRING EXTENSION
30	M0221523	1	SCREW - SHLDR
31	PD940107	1	ROUND SPRING SPACER
32	PD940090	1	BUSHING - WC DOOR LEVEL
33	PD940091	1	BUSHING - DOOR STOP
34	PC920144	1	PLATE - WC DOOR SHIM
35	PC920145	1	PIN - DOOR STOP
36	PC020289	1	HINGE PLATE LL
NI	PC020288	1	HINGE PLATE LR
37	PC920149	1	BAR-WC BOT HINGE LH
38	PC040010	1	POP RIVET
39	PF031268	1	LABEL HEATER PAN AF/AR 30



Ref #	Part Number	Qty.	Description
1	PB070355	6	INSULATION MC COVER
2	K2099932	1	MC BACK 30
3	K2099930	1	MC TOP 30
4	PC040010	23	POP RIVET
5	K2099455	1	SUPPORT MC Z
6	G5099928	1	MC COVER COMPLETE ASM 30
7	M0223509	4	SCREW-LAG
8	PK910089	2	BRACKET, ANTI - TIP
9	PB970171	1	MC INSULATION - BACK SIDE
10	K2099459	1	MC SIDE R
11	PD020194	24	SCREW-SM
12	A4554806	1	BUSHING-SNAP VA4554806
13	PK050004	2	BRACKET GRILLE
14	M0253916	8	SCREW-TF
15	003280-000	2	PLATE,BACK,GRILLE
16	003260-000	1	ENDCAP,PRO,RH
17	003279-000	1	EXTRUSION,LOUVER,BOTTOM
18	003278-000	1	EXTRUSION,LOUVER,MIDDLE
19	003277-000	1	EXTRUSION,LOUVER,TOP
20	003274-000	1	ENDCAP,PRO,LH,HINGE
24	PD020233	2	SCR LAG 5/16-9 GX 5/16X7/16 WAF IHXW 3 S ZN
25	PD040157	3	BEARING SLEEVE
26	K20915675	1	BRACKET PSM
27	K2099460	1	MC SIDE L
28	019590-000	1	GRILLE ASM, 30 AF/AR FOL LH
28	019606-000	1	GRILLE ASM, 30 AF/AR, FOL RH



Ref #	Part Number	Qty.	Description
1	V12203602	1	DAIRY MODULE ASM
2	G5099291	4	DOOR BIN ASM SXS 48 FF AND 30 AR
3	007459-000	1	DOOR ASM AR 30
4	PF931036	1	LABEL FOL DOOR BOW
5	000950-000	1	BRACKET,PNL,FULL OVERLAY
6	PD050019	1	STRIKER DOOR SWITCH
7	M0210458	2	SCREW-SM
8	PD920174	8	10-32 TORX HEAD SCREW
9	PC020273	1	PIVOT PL ASM LH LW FOL
9	PC020274	1	PIVOT PL ASM RH UP FOL
10	PC020275	1	PIVOT PL ASM LH UP FOL
10	PC020272	1	PIVOT PL ASM RH LW FOL
NI	005448-000	1	GASKET,ASM,30,AFAR