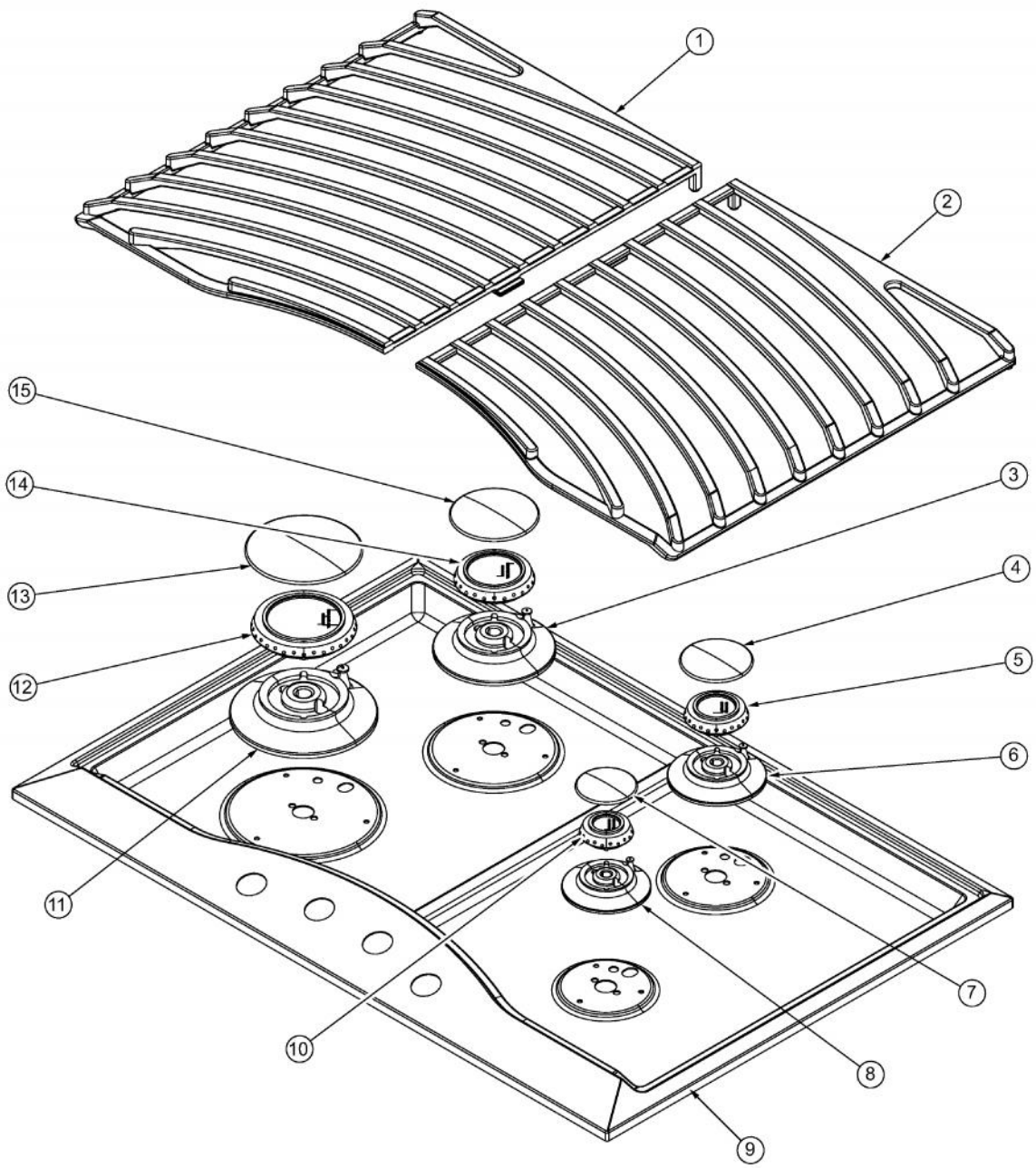
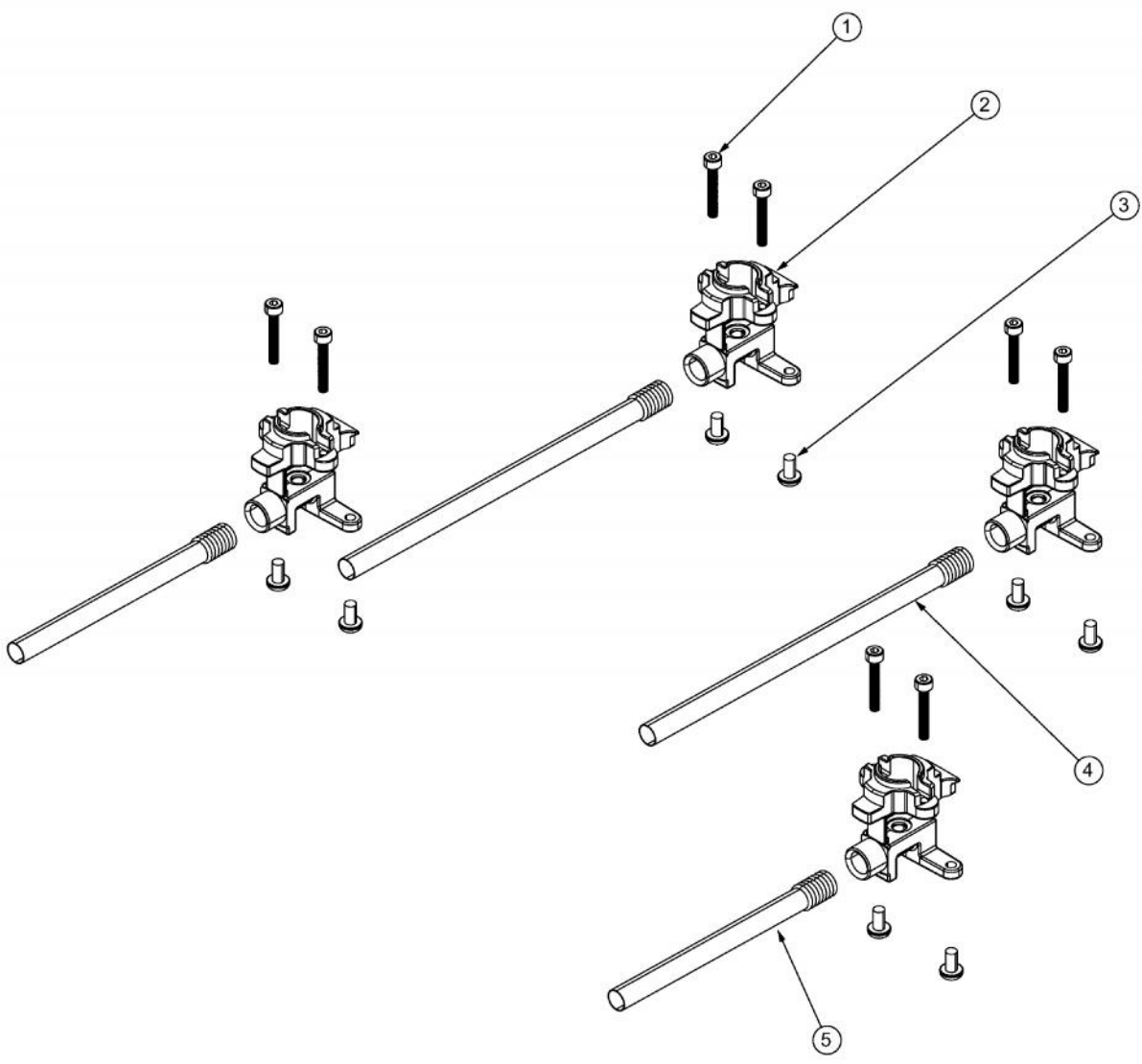


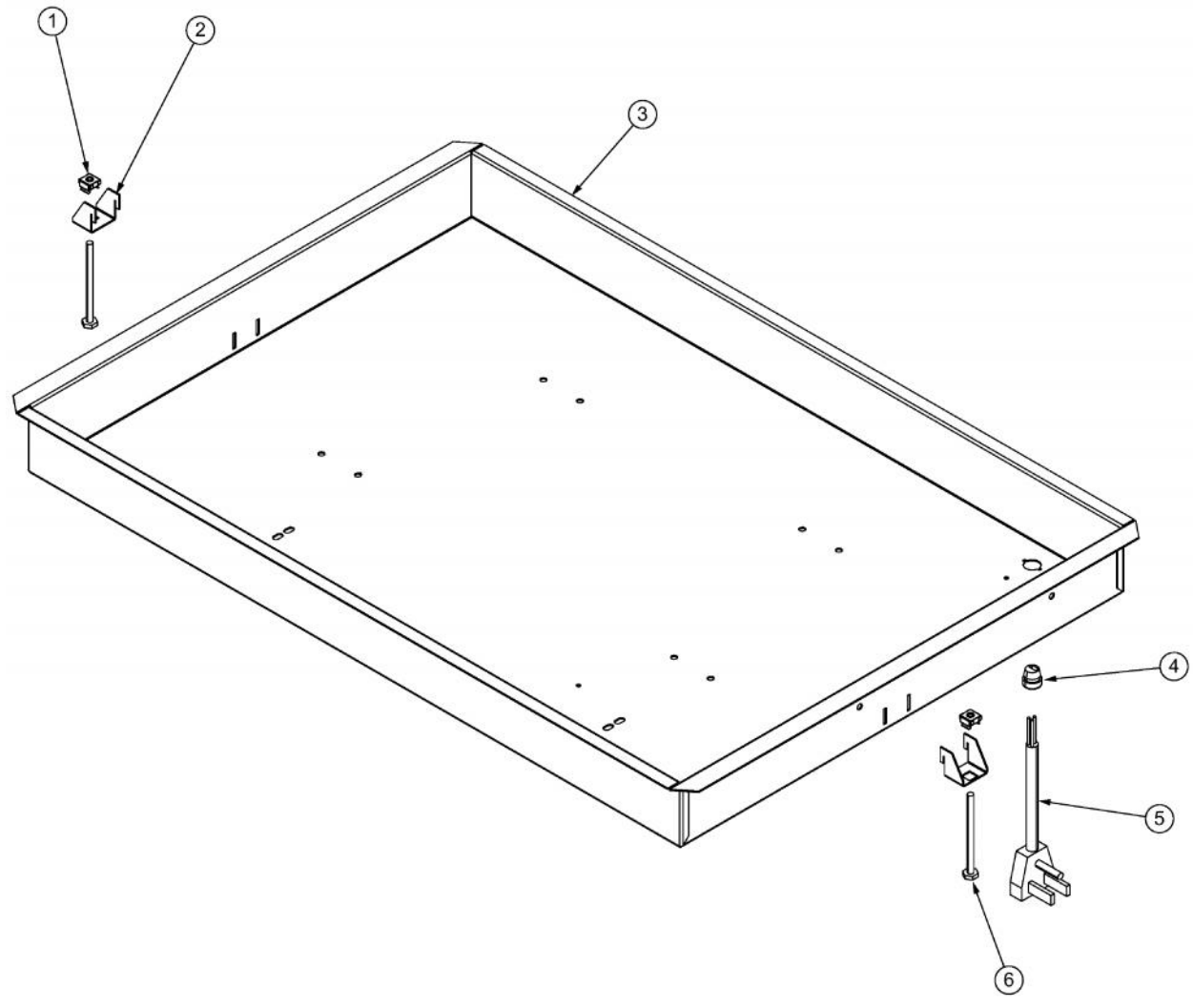
Ref #	Part Number	Qty.	Description
1	011731-000	4	KNOB, BK, DESIGNER COOKTOP
1	014558-000	4	KNOB, VLV, GRAY BAND, DES COOKTOP
2	PB070079	4	SILICONE EXTRUSION (DGSU)
3	015112-000	4	MODULE, SPK IRIS COOKTOP
4	PA010161	4	SUB TO 007146-000 - COOKTOP REVERSE FLOW VALVE
5	PA070004	1	PRESSURE REG.(NAT.) RV47L-77-5.0
5	PA070005	1	PRESSURE REG.(LP) RV47L-77-10.0
6	014612-000	1	MANIFOLD, ASM
7	PD020004	4	10X3/8PH.HD.TYPE 25 REPL PD040125
8	PD010012	4	VALVE BOLT 1/4-20 UNC-2B 5/16 M.S.



Ref #	Part Number	Qty.	Description
1	PA060093	1	LH DGSU100 GRATE (BLACK)
1	PA060095	1	LH DGSU100 GRATE (GRAY)
2	PA060092	1	RH DGSU100 GRATE BLK
2	PA060094	1	RH DGSU100 GRATE GRAY
3	PB050070	1	C-BASE
4	PA080105	1	DGRT-B BURNER CAP- BLACK
5	PA080100	1	DGRT-B COMPLETE BURNER HEAD ASSEMBLY
6	PB050071	1	B-BASE
7	PA080103	1	DGRT-A BURNER CAP- BLACK
8	PB050072	1	A-BASE
9	017285-000	1	DGSU101 TOP W/GRAPHICS
9	017285-006	1	20 TOP, WH W/ GRAPHICSS
10	PA080099	1	DGRT-ACOMPLETE BURNER HEAD ASSEMBLY
11	PB050069	1	D-BASE
12	PA080102	1	DGRT-D COMPLETE BURNER HEAD ASSEMBLY
13	PA080083	1	D BURNER CAP XMATTE BLACKX
14	PA080101	1	DGRT-C COMPLETE BURNER HEAD ASSEMBLY
15	PA080107	1	DGRT-C BURNER CAP- BLACK



Ref #	Part Number	Qty.	Description
1	PD020159	8	DGSU BURNER BASE SCREW
2	PB050067	4	JETHOLDER
3	PD020004	8	10X3/8PH.HD.TYPE 25 REPL PD040125
4	PB020191	2	15 FLEX TUBE
5	PB020190	2	10 FLEX TUBE



Ref #	Part Number	Qty.	Description
1	PD030029	2	SELF RETAINING NUT (1/4-20)
2	A2005721	2	MOUNT BRACKET (DECU)
3	NON-SERVICEABLE	1	BOX, BNR, DGSU 30
4	PE070069	1	STRAIGHT-THRU BUSHING
5	G4007440	1	SUPPLY CORD ASSY
6	PD020123	2	BOLT 1/4-20 X 3 HEX HD