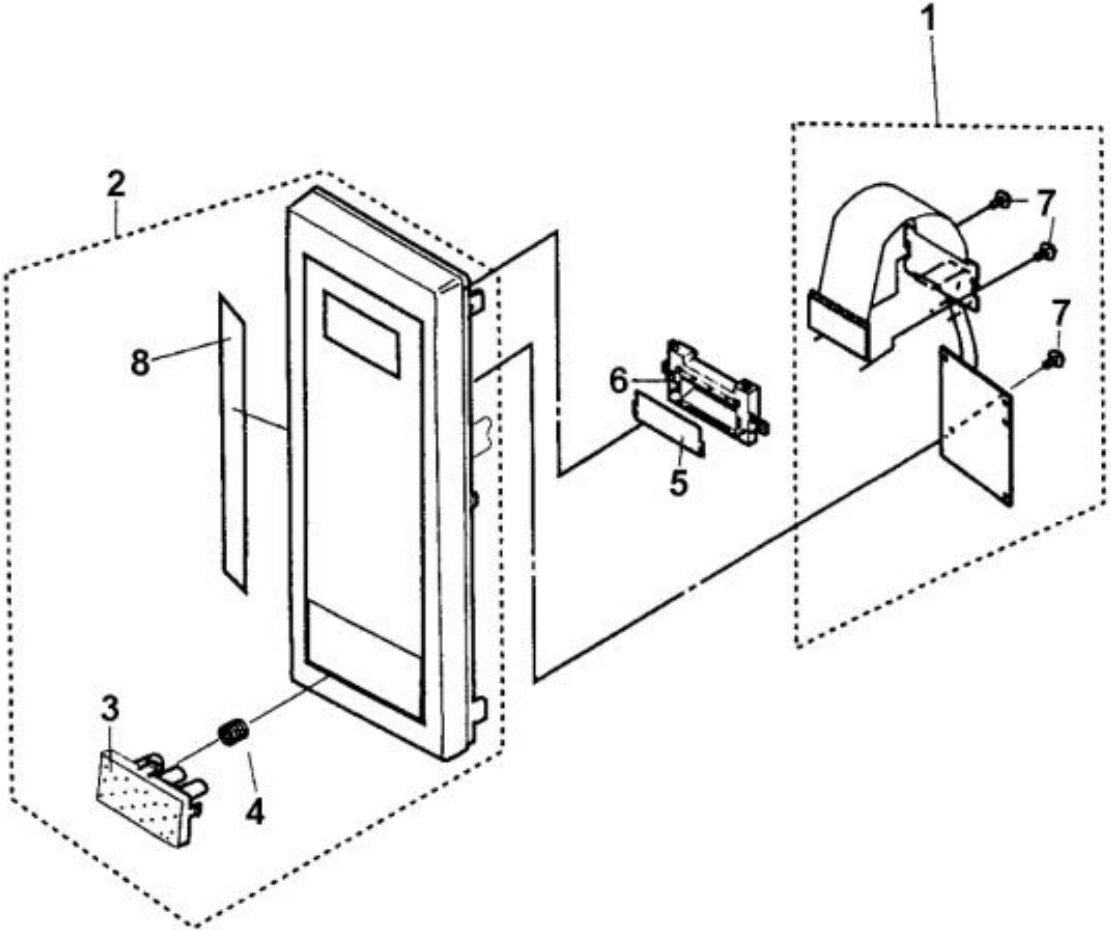
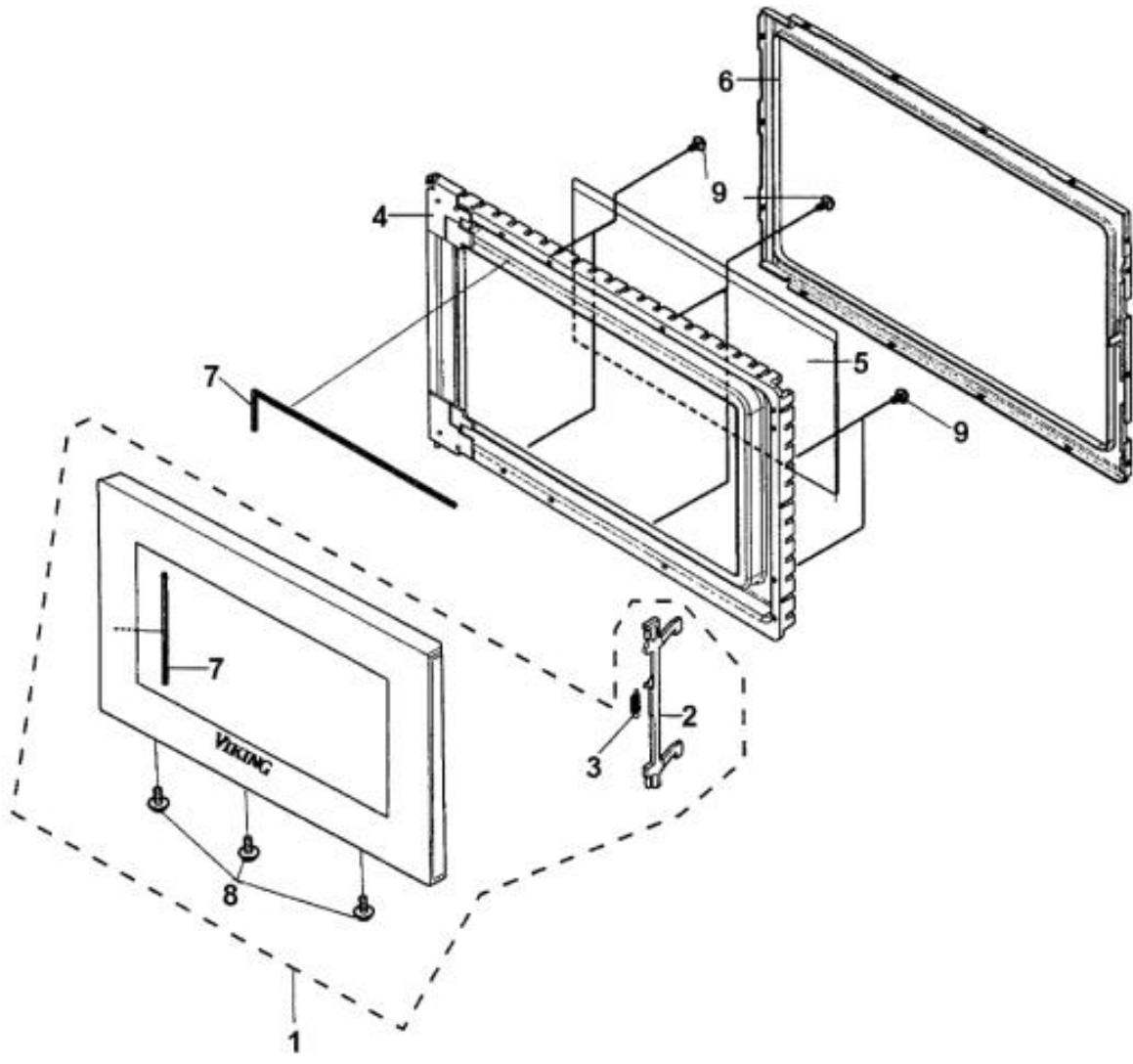


Ref #	Part Number	Qty.	Description
1	PM100021		HIGH VOLT. CAPACITOR
2	PM100005		HIGH VOLTAGE RECTIF.
3	PM100018		LAMP SOCKET (BEFORE 02/01/03)
4	PM100022		OVEN LAMP (BEFORE 02/01/03)
NI	PM100065		LIGHT BULB (AFTER 02/01/03)
5	PM100024		FAN MOTOR
6	PM100004		MONITOR SWITCH (V-16G-2C25) AND FUSE ASSEMBLY (20... (AFTER SERIAL NUMBER 112339 - DMOS) (AFTER SERIAL NUMBER 111122 - CDMOS)
	PM100028		MONITOR SWITCH/FUSE KIT (BEFORE SERIAL NUMBER 112339 - VMOS) (BEFORE SERIAL NUMBER 111122 - CVMOS)
7	PM100019		INTERLOCK SWITCH
8	PM100016		OVEN TEMP FUSE
9	PM100017		CAVITY TEMPERATURE FUSE 150+C
10	PM100073		MAGNETRON
11	PM100069		TURNTABLE MOTOR
12	PM100025		HIGH VOLT. TRANSFORM.
13	PM100002		POWER CORD
14	PM100003		AH SENSOR
15	PM100008		NOISE FILTER
16	PM110009		BASE PLATE
17	PM110010		FOOT
18	PM110007		OUTERCASE CABINET
19	PM100013		H.V. CAPACITOR BAND
20	PM110017		CHASSIS SUPPORT
21	PM120014		LATCH HOOK
22	PM120006		SWITCH LEVER
23	PM120013		MAGNETRON DUCT
24	PM110018		FAN BLADE
25	PM120011		FAN DUCT
26	NOT REPLACEABLE		OVEN CAVITY
27	PM110020		WAVEGUIDE COVER
28	PM120015		TURNTABLE MOTOR PACKING
29	PM120012		SENSOR DUCT
30	PM120010		CUSHION
31	PM120009		TT MOTOR CUSHION
32	PM110016		ANGLE
33	PM110006		TURNTABLE SUPPORT
34	PM110019		TT TRAY
35	PM120034		MONITOR CAUTION LABEL
36	PM120018		UL LABEL
37	PM120024		OPERATION MANUAL, TINSEB310MRR2
38	PM120035		RECIPE CARD TCADUB010MRR0
39	PM120036		MENU LABEL
40	PM120017		DHHS LABEL
41	PM120019		NHW CAUTION LABEL
42	PM120021		USER CAUTION LABEL
43	PM120022		BIK CAUTION LABEL, TCAUSB007MRR0
44	PM120002		SPECIAL SCREW
45	PM120003		SCREW
46	PM120028		SCREW W/WASHER
47	PM120029		SCREW
48	PM120030		SCREW, XOTSD40P12000
49	PM120025		SCREW
50	PM120004		SPECIAL SCREW
51	PM120027		SCREW

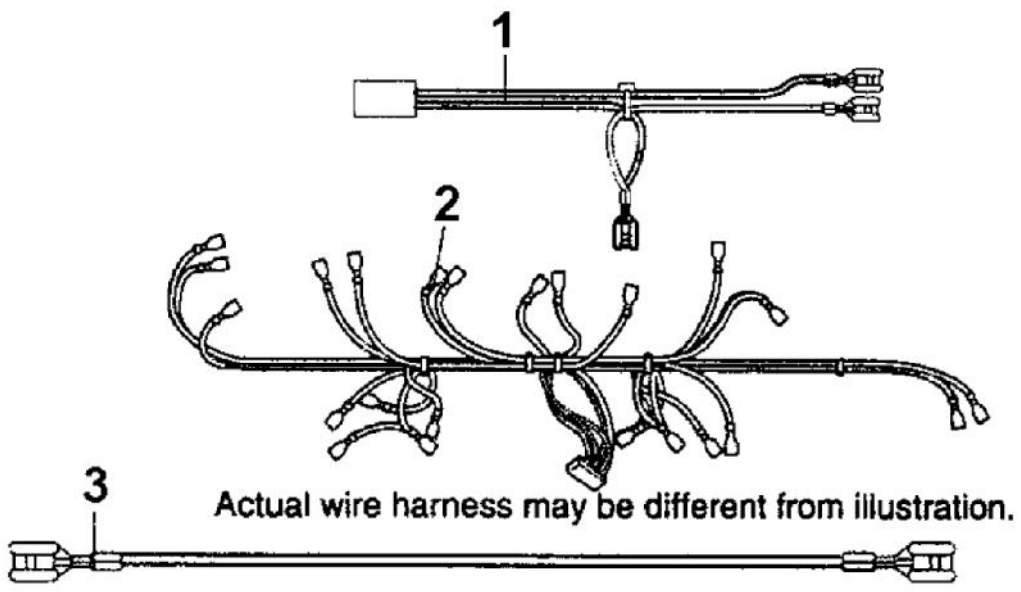
Ref #	Part Number	Qty.	Description
51	PM120027		SCREW
52	PM120037		CABINET SCREW XOTSE40P12000
53	PM120005		SCREW
NI	016087-000		CUSHION



Ref #	Part Number	Qty.	Description
1	PM10001		CONTOL UNIT
2	PM10007		CONTROL PANEL
3	PM110014		OPEN BUTTON
4	PM120008		OPEN BUTTON SPRING
5	PM100015		LED SHEET
6	PM100014		LCD HOLDER
7	PM120026		SCREW
8	PM120021		USER CAUTION LABEL



Ref #	Part Number	Qty.	Description
1	PM110003		DOOR FRAME ASSY, FCOV-B214MRK0
	PM110004		DOOR FRAME ASSY, FCOV-B215MRK0
2	PM120001		LATCH HEAD
3	PM120007		LATCH SPRING
4	PM110005		DOOR PANEL
5	PM120016		SEALER FILM
6	PM110008		CHOKE COVER
7	PM120032		DOOR CUSHION PCUSUB058MRP0
8	PM120033		SCREW ; CONTROL PANEL MTG.
9	PM120026		SCREW



Ref #	Part Number	Qty.	Description
1	PM100011		LOW VOLTAGE HARNESS
2	PM100012		MAIN WIRE HARNESS
3	PM100020		HIGH VOLTAGE WIRE A