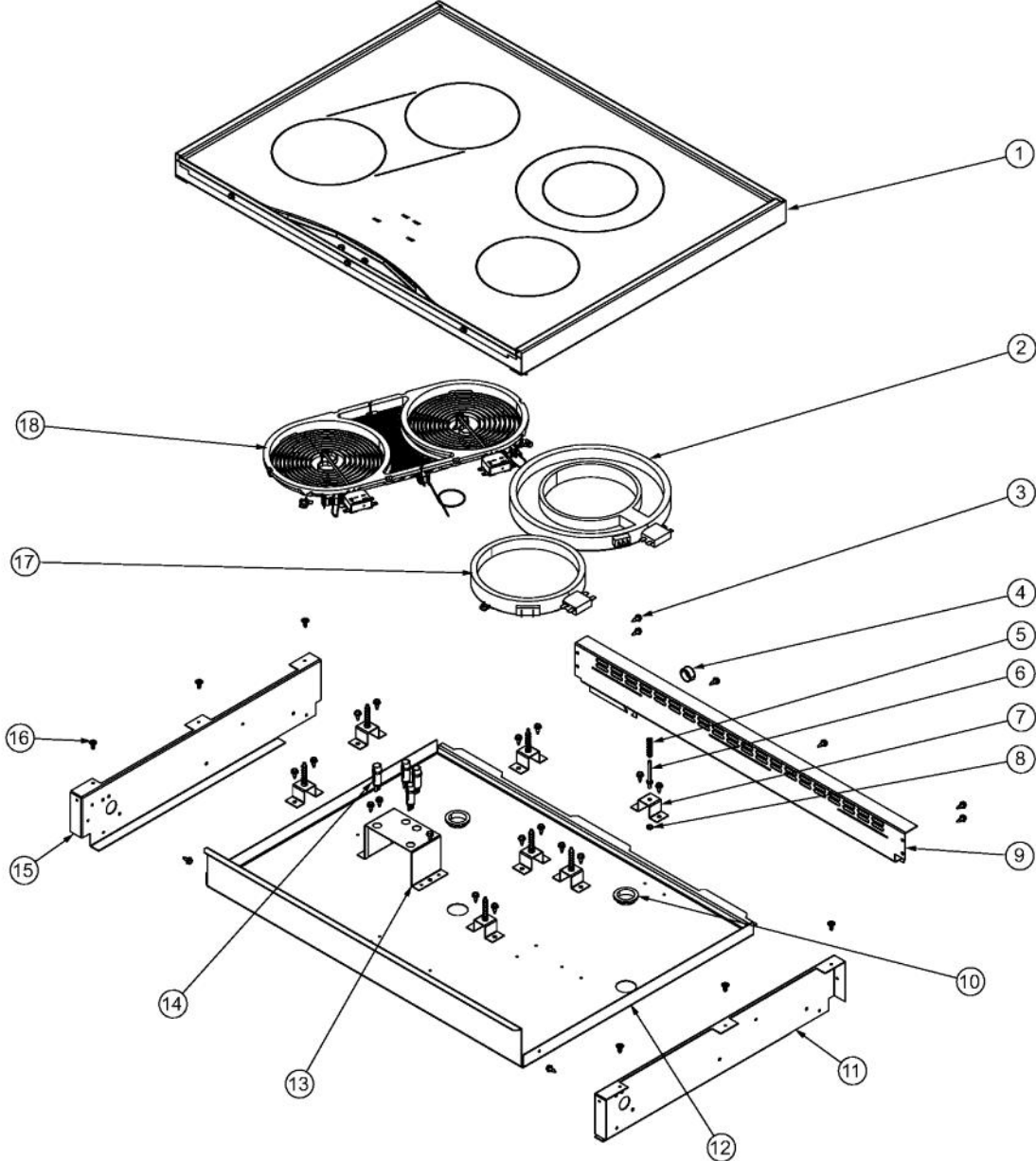
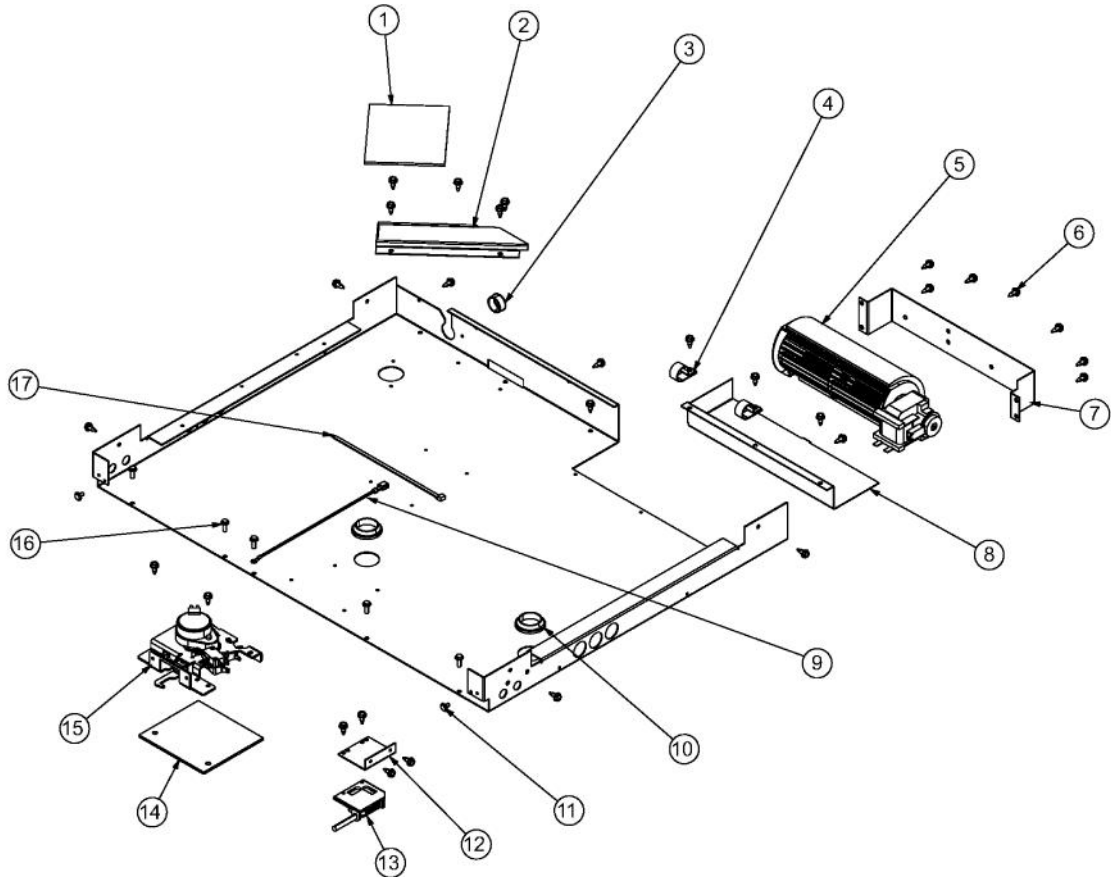


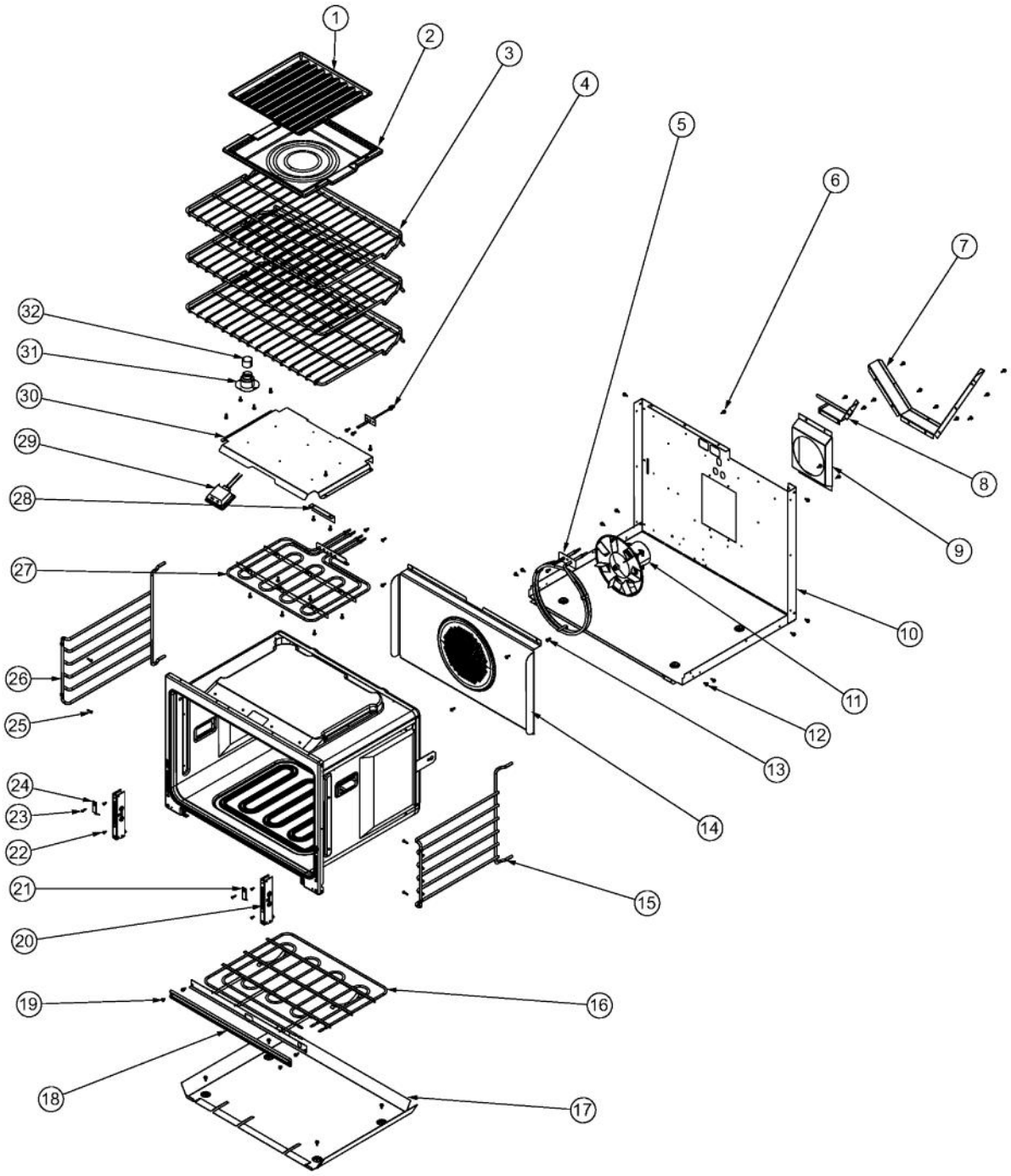
Ref #	Part Number	Qty.	Description
1	NON-SERVICEABLE	12	TUB WELDMENT
2	019634-000	1	CONTROL PANEL MOUNTING
3	015105-000	1	BRACKET, SW
4	NON-SERVICEABLE	2	TUB WELDMENT
5	G40015469	1	LIGHT SWITCH ASSEMBLY
6	005966-000	2	SWITCH, DUAL, INF
7	015170-000	3	HOUSING, LIGHT, BLUE NEON, 125V (BEFORE 3/3/11)
7	015043-000	2	INDICATOR, LIGHT, BLUE LED (ON OR AFTER 3/3/11)
8	PJ030033	1	SELECTOR (10 POS)
9	PJ030035	1	THERMOSTAT
10	011444-000	2	SINGLE INFINITE SWITCH
11	017688-000	1	LANDING LEDGE, DSCE130
12	PD040004	2	GROMMET BUMPER
13	PA010207	2	KNOB-CHROME W/BLACK SLEEVE
14	NON-SERVICEABLE	2	TUB WELDMENT
15	PA010209	2	KNOB - CHROME/BLK/DUAL INF.
16	015174-000	3	LENS, BLUE (BEFORE 3/3/11)
16	015043-000	2	INDICATOR, LIGHT, BLUE LED (ON OR AFTER 3/3/11)
17	PA010228	1	THERMOSTAT KNOB W/BLACK SLEEVE
18	PA010226	1	SELECTOR KNOB W/BLACK SLEEVE
19	NON-SERVICEABLE	1	TUB WELDMENT



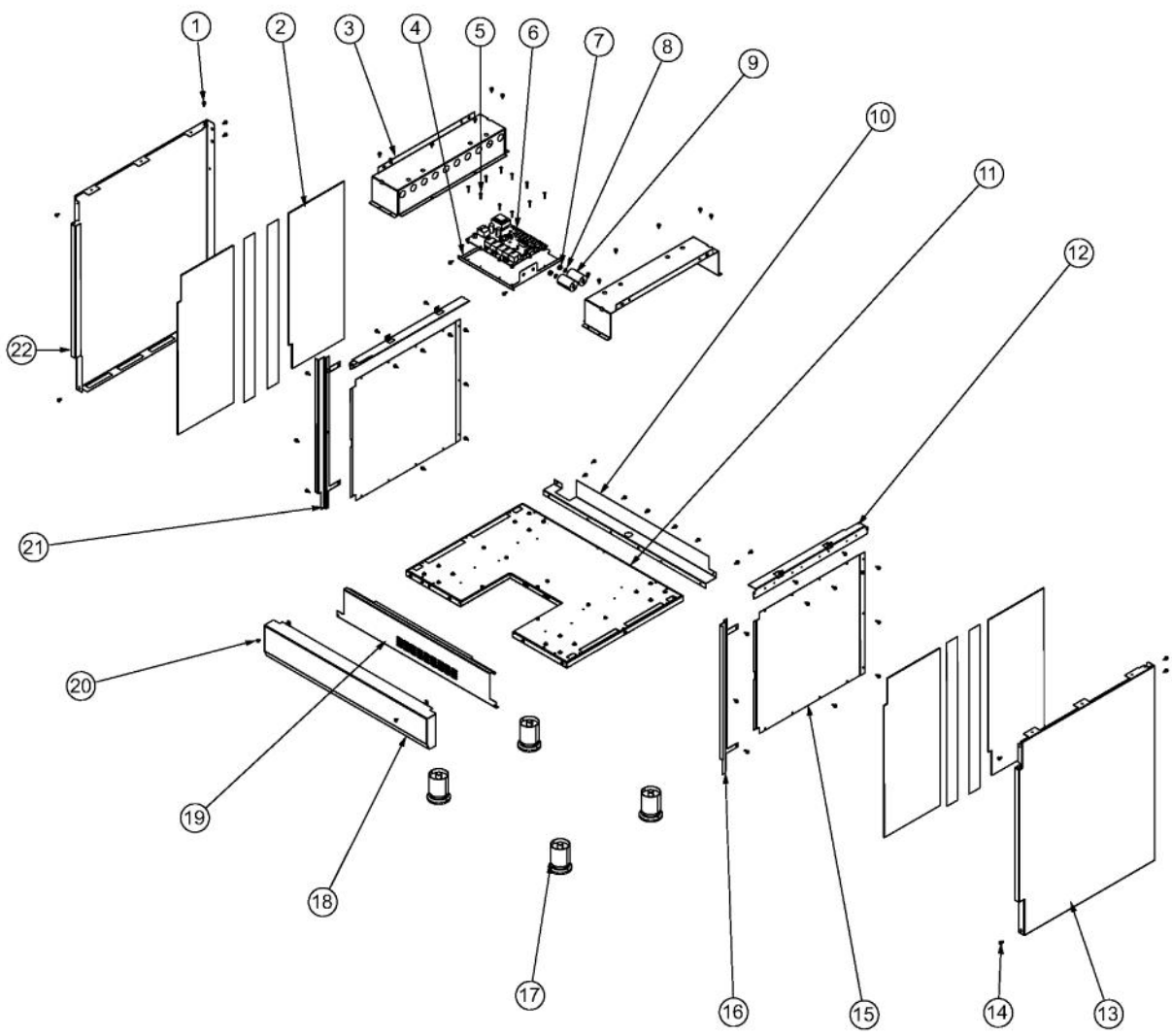
Ref #	Part Number	Qty.	Description
1	017539-000	1	FRAME, CKTP, ASM DSCE130 BK
2	008132-000	1	2500 (1000) W ELEMENT ASM
3	NON-SERVICEABLE	25	TUB WELDMENT
4	PD040005	1	SNAP BUSHING - 7/8
5	PC010006	7	GUIDE SPRING DESU
6	PD010148	7	ELEMENT STUD
7	A20014957	7	GUIDE MOUNTING BRACKET
8	PD040056	7	ELEMENT STUD NUT
9	017719-000	1	SUPPORT, REAR
10	PB070079	2	SILICONE EXTRUSION (DGSU)
11	013663-000	1	BURNER BOX, SIDE, RT
12	017715-000	1	PANEL, MOUNTING
13	A2005723	1	DECU30 LIGHT BRACKET
14	PE050113	4	DECU INDICATOR LIGHT (SP-2185-BDPS)
15	013664-000	1	BURNER BOX, SIDE, LF
16	NON-SERVICEABLE	5	TUB WELDMENT
17	008133-000	1	1500W ELEMENT ASM
18	008134-000	1	4400W BRIDGE ELEMENT ASM



Ref #	Part Number	Qty.	Description
1	004285-000	1	INSULATION, FOIL-BACKED,4X5
2	003333-000	1	DUCT, FLUE
3	PD040005	1	SNAP BUSHING - 7/8
4	PD030109	2	INSULATED CLAMP
5	PE050250	1	PREMIUM BLOWER WITH HES
6	NON-SERVICEABLE	29	TUB WELDMENT
7	004110-000	1	MOUNT,BLOWER
8	NON-SERVICEABLE	1	TUB WELDMENT
9	NON-SERVICEABLE	1	TUB WELDMENT
10	PB070079	2	SILICONE EXTRUSION (DGSU)
11	NON-SERVICEABLE	2	TUB WELDMENT
12	A20012649	1	DOOR SWITCH BRACKET
13	PE050208	1	DOOR SWITCH
14	NON-SERVICEABLE	1	TUB WELDMENT
15	013250-000	1	LATCH,DOOR,ASM,240V,GRIDDLE LOCKOUT
16	NON-SERVICEABLE	5	TUB WELDMENT
17	PE070036	1	TIE WRAP

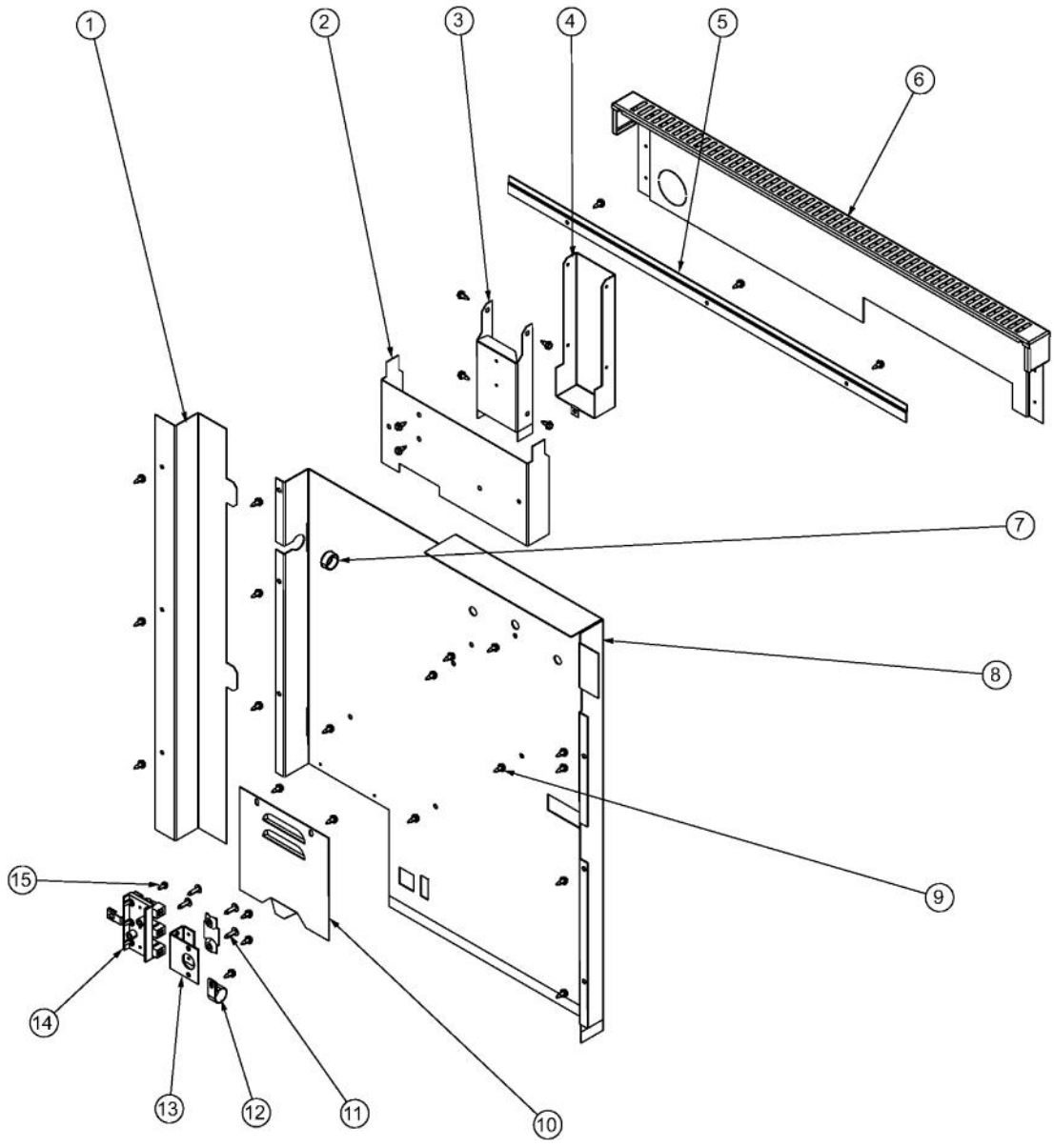


Ref #	Part Number	Qty.	Description
1	014924-000	1	INSERT, BROILER PAN, BLUE PORCELAIN
2	014923-000	1	PAN, BROILER, BLUE PORCELAIN
3	PB060107	3	30 OVEN RACK
4	PE050206	1	RTD THERMOSTAT PROBE
5	PJ010047	1	CONVECTION ELEMENT
6	NON-SERVICEABLE	27	TUB WELDMENT
7	002941-000	1	BAFFLE, FAN, REAR
8	003356-000	1	DIVERTER, AIR
9	A2009697	1	BRACKET, CONVECTION INSULATION
10	NON-SERVICEABLE	1	TUB WELDMENT
11	015394-000	1	FAN, CNVN, ASM
12	003801-000	2	SHOULDER SCREW, NO.10
13	NON-SERVICEABLE	23	TUB WELDMENT
14	014932-000	1	BAFFLE, CNVN, ASM, DSCD
15	015362-000	1	SUPPORT, RACK, ASM, RH, BLUE
16	PJ010048	1	BAKE ELEMENT
17	NON-SERVICEABLE	1	TUB WELDMENT
18	014934-000	1	COVER, BAKE TRAY
19	PD020063	2	SCREW-NO.8(A) X 3/8PH WFR HD/BK OXID
20	003060-000	2	HINGE RECEPTACLE, VDSC CUSTOM
21	B21010915	1	HINGE CLIP ? RH
22	NON-SERVICEABLE	4	TUB WELDMENT
23	NON-SERVICEABLE	2	TUB WELDMENT
24	B21010916	1	HINGE CLIP ? LH
25	PD020232	4	NO.8 X 3/4 PH PAN HEAD TEK SCREW (BLACK OXIDE)
26	015361-000	1	SUPPORT, RACK, ASM, LH, BLUE
27	PJ010049	1	BROIL ELEMENT
28	A20014044	1	BROIL ELEMENT SHIELD
29	005312-000	1	BJB SLIMLINE 40 W BULB
30	A20014021	1	REFLECTOR, BROIL
31	PM010014	1	SMOKE ELIMINATOR (VDSC)
32	PB020275	1	VENT TUBE

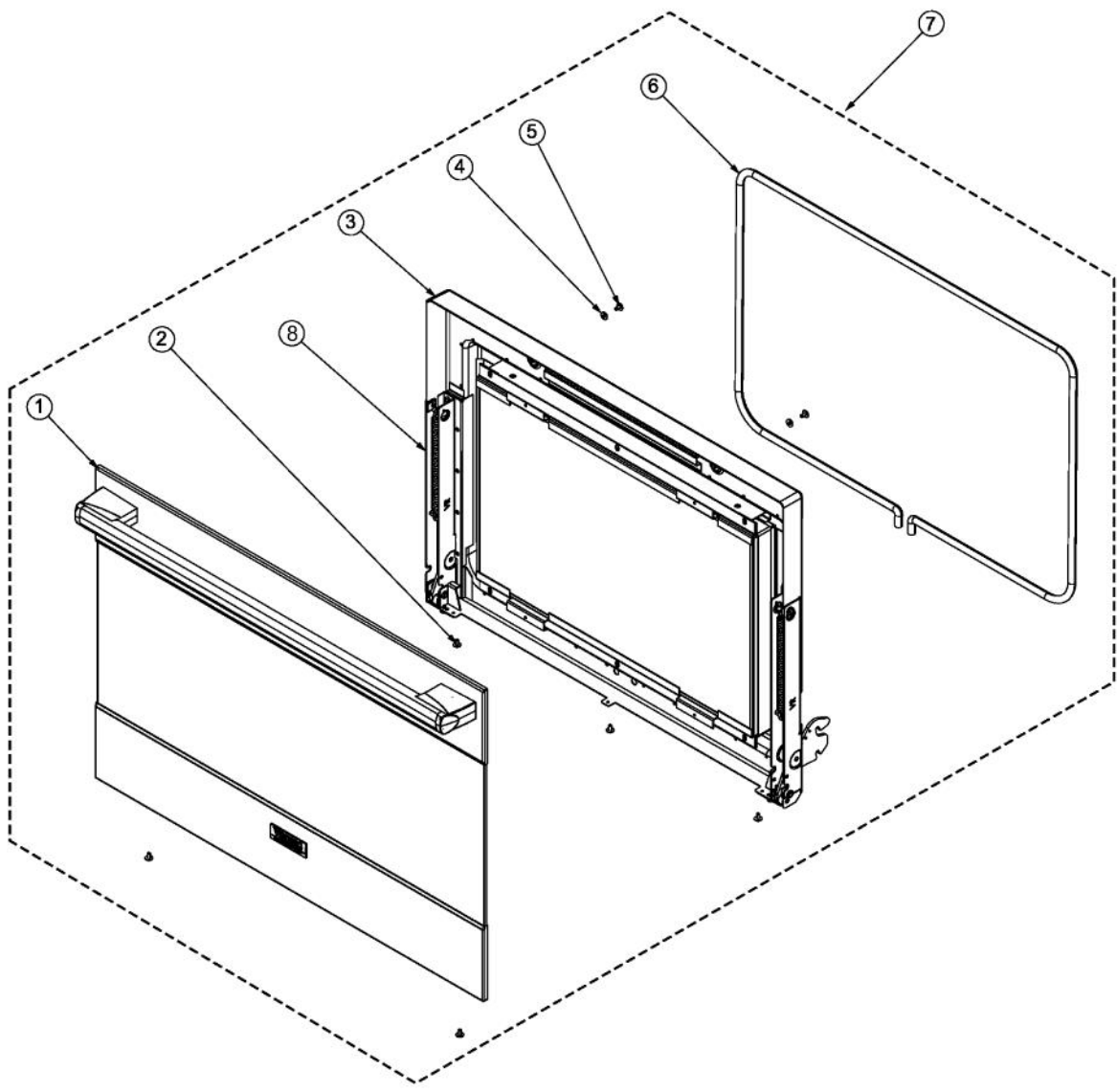


Ref #	Part Number	Qty.	Description
1	003860-000	51	NO.10-18 X .500 FASTNR,SCR,HXWH,STL,ZPLT
2	NON-SERVICEABLE	4	TUB WELDMENT
3	014241-000	2	SUPPORT, OVEN
4	003050-000	1	CONTROL BOARD MOUNTING PLATE (BEFORE 3/3/10)
4	015096-000	1	PLATE, MTG, EOC4 CONTROL BOARD (AFTER 3/3/10)
5	PD020043	10	NO.6-32 X .750 PH. CTRSK T(F)-VGSO166
6	000621-000	1	SUB TO 002406-000 - CONTROL BOARD (BEFORE 3/3/10)
6	014000-000	1	EOC4-CONTROL BOARD (ON OR AFTER 3/3/10)
NI	015201-000	1	LINEAR POWER SUPPLY (ON OR AFTER 3/3/10)
7	PD030172	2	M8 X 1.25MM NUT
8	PD040164	2	5/16 INTERNAL TOOTH LOCK WASHER TYPE A
9	PE050247	2	EBM FAN MOTOR CAPACITOR
10	014240-000	1	LEDGE, BACK
11	NON-SERVICEABLE	1	TUB WELDMENT
12	NON-SERVICEABLE	2	TUB WELDMENT
13	014764-000	1	PANEL, SIDE, DESIGNER, RH, SS
NI	017546-002	1	PANEL, SIDE, DESIGNER, RH, BK
NI	017546-003	1	PANEL, SIDE, DESIGNER, RH, BT
NI	017546-004	1	PANEL, SIDE, DESIGNER, RH, SG
NI	017546-005	1	PANEL, SIDE, DESIGNER, RH, GG
NI	017546-006	1	PANEL, SIDE, DESIGNER, RH, WH
NI	017546-008	1	PANEL, SIDE, DESIGNER, RH, BU
NI	017546-009	1	PANEL, SIDE, DESIGNER, RH, LE
NI	017546-010	1	PANEL, SIDE, DESIGNER, RH, MJ
NI	017546-012	1	PANEL, SIDE, DESIGNER, RH, VB
NI	017546-013	1	PANEL, SIDE, DESIGNER, RH, CB
NI	017546-015	1	PANEL, SIDE, DESIGNER, RH, PL
NI	017546-016	1	PANEL, SIDE, DESIGNER, RH, CH
NI	017546-017	1	PANEL, SIDE, DESIGNER, RH, TP
NI	017546-018	1	PANEL, SIDE, DESIGNER, RH, CW
NI	017546-019	1	PANEL, SIDE, DESIGNER, RH, OG
NI	017546-020	1	PANEL, SIDE, DESIGNER, RH, GM
NI	017546-021	1	PANEL, SIDE, DESIGNER, RH, SA
NI	017546-022	1	PANEL, SIDE, DESIGNER, RH, SE
NI	017546-023	1	PANEL, SIDE, DESIGNER, RH, IB
NI	017546-024	1	PANEL, SIDE, DESIGNER, RH, AR
NI	017546-025	1	PANEL, SIDE, DESIGNER, RH, RR
NI	017546-026	1	PANEL, SIDE, DESIGNER, RH, PM
NI	017546-027	1	PANEL, SIDE, DESIGNER, RH, MS
14	NON-SERVICEABLE	4	TUB WELDMENT
15	NON-SERVICEABLE	2	TUB WELDMENT
16	019185-000	1	TRIM, FR, RH, DSCD
17	PC030031	4	ADJUSTABLE LEG
18	019262-000	1	KICKPLATE, 30 DSCD/DSCE DESIGNER SS
18	019357-002	1	KICKPLATE, 30 DSCD/DSCE DESIGNER BK
18	019357-003	1	KICKPLATE, 30 DSCD/DSCE DESIGNER BT
18	019357-004	1	KICKPLATE, 30 DSCD/DSCE DESIGNER SG
18	019357-005	1	KICKPLATE, 30 DSCD/DSCE DESIGNER GG
18	019357-006	1	KICKPLATE, 30 DSCD/DSCE DESIGNER WH
18	019357-008	1	KICKPLATE, 30 DSCD/DSCE DESIGNER BU
18	019357-009	1	KICKPLATE, 30 DSCD/DSCE DESIGNER LE
18	019357-010	1	KICKPLATE, 30 DSCD/DSCE DESIGNER MJ
18	019357-012	1	KICKPLATE, 30 DSCD/DSCE DESIGNER VB
18	019357-013	1	KICKPLATE, 30 DSCD/DSCE DESIGNER CB
18	019357-015	1	KICKPLATE, 30 DSCD/DSCE DESIGNER PL

Ref #	Part Number	Qty.	Description
18	019357-015	1	KICKPLATE, 30 DSCD/DSCE DESIGNER PL
18	019357-016	1	KICKPLATE, 30 DSCD/DSCE DESIGNER CH
18	019357-017	1	KICKPLATE, 30 DSCD/DSCE DESIGNER TP
18	019357-018	1	KICKPLATE, 30 DSCD/DSCE DESIGNER CW
18	019357-019	1	KICKPLATE, 30 DSCD/DSCE DESIGNER OG
18	019357-020	1	KICKPLATE, 30 DSCD/DSCE DESIGNER GM
18	019357-021	1	KICKPLATE, 30 DSCD/DSCE DESIGNER SA
18	019357-022	1	KICKPLATE, 30 DSCD/DSCE DESIGNER SE
18	019357-023	1	KICKPLATE, 30 DSCD/DSCE DESIGNER IB
18	019357-024	1	KICKPLATE, 30 DSCD/DSCE DESIGNER AR
18	019357-025	1	KICKPLATE, 30 DSCD/DSCE DESIGNER RR
18	019357-026	1	KICKPLATE, 30 DSCD/DSCE DESIGNER PM
18	019357-027	1	KICKPLATE, 30 DSCD/DSCE DESIGNER MS
19	014246-000	1	GRILL, LOWER
20	NON-SERVICEABLE	2	TUB WELDMENT
21	019186-000	1	TRIM, FR, LH, DSCD
22	014765-000	1	PANEL, SIDE, DESIGNER, LH, SS
22	017547-002	1	PANEL, SIDE, DESIGNER, LH, BK
22	017547-003	1	PANEL, SIDE, DESIGNER, LH, BT
22	017547-004	1	PANEL, SIDE, DESIGNER, LH, SG
22	017547-005	1	PANEL, SIDE, DESIGNER, LH, GG
22	017547-006	1	PANEL, SIDE, DESIGNER, LH, WH
22	017547-008	1	PANEL, SIDE, DESIGNER, LH, BU
22	017547-009	1	PANEL, SIDE, DESIGNER, LH, LE
22	017547-010	1	PANEL, SIDE, DESIGNER, LH, MJ
22	017547-012	1	PANEL, SIDE, DESIGNER, LH, VB
22	017547-013	1	PANEL, SIDE, DESIGNER, LH, CB
22	017547-015	1	PANEL, SIDE, DESIGNER, LH, PL
22	017547-016	1	PANEL, SIDE, DESIGNER, LH, CH
22	017547-017	1	PANEL, SIDE, DESIGNER, LH, TP
22	017547-018	1	PANEL, SIDE, DESIGNER, LH, CW
22	017547-019	1	PANEL, SIDE, DESIGNER, LH, OG
22	017547-020	1	PANEL, SIDE, DESIGNER, LH, GM
22	017547-021	1	PANEL, SIDE, DESIGNER, LH, SA
22	017547-022	1	PANEL, SIDE, DESIGNER, LH, SE
22	017547-023	1	PANEL, SIDE, DESIGNER, LH, IB
22	017547-024	1	PANEL, SIDE, DESIGNER, LH, AR
22	017547-025	1	PANEL, SIDE, DESIGNER, LH, RR
22	017547-026	1	PANEL, SIDE, DESIGNER, LH, PM
22	017547-027	1	PANEL, SIDE, DESIGNER, LH, MS



Ref #	Part Number	Qty.	Description
1	015607-000	1	CHANNEL, WIRE, DSCD
2	014553-000	1	DUCT, AIR
3	014554-000	1	BOX, FLUE, FRONT
4	A20010101	1	FLUE, OUTSIDE SHELL
5	006866-000	1	BRACKET, SPRT, FR
6	015931-000	1	ISLAND TRIM ASM, 30 DESIGNER
7	PD040005	1	SNAP BUSHING - 7/8
8	003272-000	1	COVER, REAR
9	NON-SERVICEABLE	30	TUB WELDMENT
10	A2002454	1	BACK COVER ACCESS DOOR
11	NON-SERVICEABLE	4	TUB WELDMENT
12	PD030109	1	INSULATED CLAMP
13	A2002195	1	POWER CORD MOUNTING BRKT (VDSC)
14	PE070147	1	TERMINAL BLOCK
15	NON-SERVICEABLE	1	TUB WELDMENT



Ref #	Part Number	Qty.	Description
1	015579-000	1	OUTER DOOR ASM, DSCD130, SS
NI	019046-002	1	SKIN, DOOR, ASM, 30 DES BK
NI	019046-003	1	SKIN, DOOR, ASM, 30 DES BT
NI	019046-004	1	SKIN, DOOR, ASM, 30 DES SG
NI	019046-005	1	SKIN, DOOR, ASM, 30 DES GG
NI	019046-006	1	SKIN, DOOR, ASM, 30 DES WH
NI	019046-008	1	SKIN, DOOR, ASM, 30 DES BU
NI	019046-009	1	SKIN, DOOR, ASM, 30 DES LE
NI	019046-010	1	SKIN, DOOR, ASM, 30 DES MJ
NI	019046-012	1	SKIN, DOOR, ASM, 30 DES VB
NI	019046-013	1	SKIN, DOOR, ASM, 30 DES CB
NI	019046-015	1	SKIN, DOOR, ASM, 30 DES PL
NI	019046-016	1	SKIN, DOOR, ASM, 30 DES CH
NI	019046-017	1	SKIN, DOOR, ASM, 30 DES TP
NI	019046-018	1	SKIN, DOOR, ASM, 30 DES CW
NI	019046-019	1	SKIN, DOOR, ASM, 30 DES OG
NI	019046-020	1	SKIN, DOOR, ASM, 30 DES GM
NI	019046-021	1	SKIN, DOOR, ASM, 30 DES SA
NI	019046-022	1	SKIN, DOOR, ASM, 30 DES SE
NI	019046-023	1	SKIN, DOOR, ASM, 30 DES IB
NI	019046-024	1	SKIN, DOOR, ASM, 30 DES AR
NI	019046-025	1	SKIN, DOOR, ASM, 30 DES RR
NI	019046-026	1	SKIN, DOOR, ASM, 30 DES PM
NI	019046-027	1	SKIN, DOOR, ASM, 30 DES MS
2	NON-SERVICEABLE	5	TUB WELDMENT
3	015413-000	1	LINER, DOOR ASM, BLUE
4	021181-000	2	WASHER, FIBER
5	NON-SERVICEABLE	2	TUB WELDMENT
6	NON-SERVICEABLE	1	TUB WELDMENT
7	015581-000	1	DOOR ASM, DSCD130, SS
8	002740-000	2	MANSFIELD HINGE, BLUE SPRING
NI	019048-002	1	DOOR, ASM, 30 DES BK
NI	019048-003	1	DOOR, ASM, 30 DES BT
NI	019048-004	1	DOOR, ASM, 30 DES SG
NI	019048-005	1	DOOR, ASM, 30 DES GG
NI	019048-006	1	DOOR, ASM, 30 DES WH
NI	019048-008	1	DOOR, ASM, 30 DES BU
NI	019048-009	1	DOOR, ASM, 30 DES LE
NI	019048-010	1	DOOR, ASM, 30 DES MJ
NI	019048-012	1	DOOR, ASM, 30 DES VB
NI	019048-013	1	DOOR, ASM, 30 DES CB
NI	019048-015	1	DOOR, ASM, 30 DES PL
NI	019048-016	1	DOOR, ASM, 30 DES CH
NI	019048-017	1	DOOR, ASM, 30 DES TP
NI	019048-018	1	DOOR, ASM, 30 DES CW
NI	019048-019	1	DOOR, ASM, 30 DES OG
NI	019048-020	1	DOOR, ASM, 30 DES GM
NI	019048-021	1	DOOR, ASM, 30 DES SA
NI	019048-022	1	DOOR, ASM, 30 DES SE
NI	019048-023	1	DOOR, ASM, 30 DES IB
NI	019048-024	1	DOOR, ASM, 30 DES AR
NI	019048-025	1	DOOR, ASM, 30 DES RR
NI	019048-026	1	DOOR, ASM, 30 DES PM
NI	019048-027	1	DOOR, ASM, 30 DES MS

*No Image
Available*

Ref #	Part Number	Qty.	Description
1	024434-000	1	JUMPER, HOT SURFACE INDICATOR
2	000915-000	1	LIMIT JUMPER
3	PE070734	1	SINGLE OVEN HEADER
4	005292-000	1	MODEL 5 HEADER (BEFORE 3/3/11)
5	023022-000	1	MODEL 17 HEADER (ON OR AFTER 3/3/11)
6	015001-000	1	WIRE HARNESS, MAIN, DSCD (BEFORE 3/3/11)
	021182-000	1	MAIN OVEN HARNESS (ON OR AFTER 3/3/11)
7	015866-000	1	WIRE HARNESS, CONTROL PANEL (BEFORE 3/3/11)
	020019-000	1	HARNESS, WRG, CONTROL (ON OR AFTER 3/3/11)
8	021319-000	1	HARNESS, ADPT, LED, 125V TO 2V (ON OR AFTER 3/3/11)