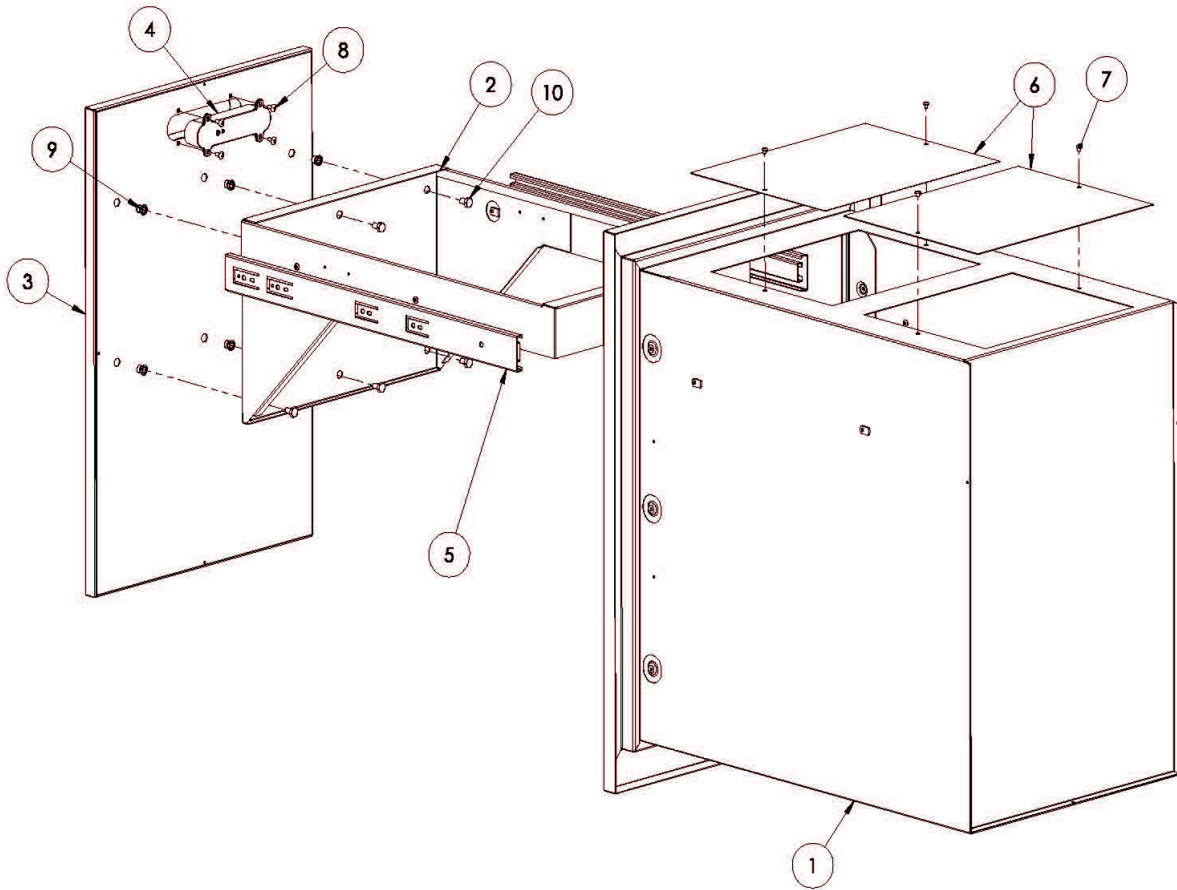


L20TR-4 Breakdown

Click on any circled item, then add the part to your cart. If it won't click, the part is not available. If the part is not available, please call us at: 888.988.4546



Item	Part No.	Name	Qty	Uom	NOTES
1	70411	CHASSIS, 20, WLDMT	1	EA	
2	70443	FRAME, BIN HLDR, ROLL-OUT, WLDMT	1	EA	
3	70444	DOOR, ROLL-OUT BIN, WLDMT	1	EA	
4	81019	HANDLE, FLUSH, ASSY	1	EA	
5	34731	DRAWER SLIDE, 22", SOFT CLOSE	2	EA	
6	35730	COVER, PORTS, TRASH BIN	2	EA	
7	33517	SCREW, #8-32 X 3/16, PHP, SS	12	EA	
8	14014	SCREW #8-32 x 3/8 PH TRUSS HEAD S/S	4	EA	
9	32769	NUT, 1/4-20, INSERT, STEEL, ZINC	6	EA	
10	14030	SCREW, 1/4-20 X 1/2, HHD, SS	6	EA	
NI	35749	SEAL, SILICONE, GASKETING	5.5FT	EA	