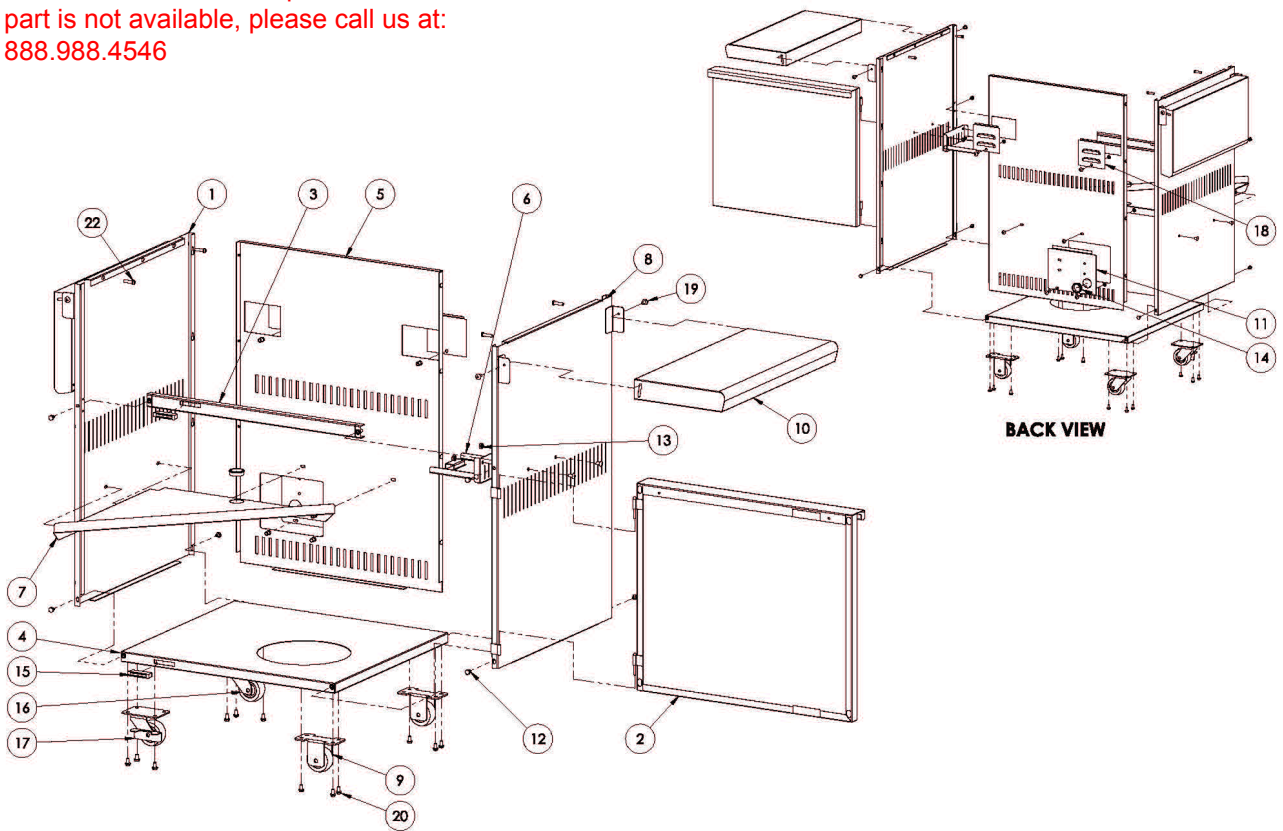


# L400 Cart Parts

Click on any circled item, then add the part to your cart. If it won't click, the part is not available. If the part is not available, please call us at: 888.988.4546



Item	Part No.	Name	Qty	Uom	NOTES
1	70139	SIDE CABINET ASSY, (LH)	1	EA	
2	70131	DOOR PANEL ASSY (RH)	1	EA	
3	70127	BRACE ASSY.	1	EA	
4	70125	BASE CABINET ASSY. (24)	1	EA	
5	70123	BACK CABINET ASSY.	1	EA	
6	70110	TANK BRACKET ASSY	1	EA	
7	70107	SHELF ASSY.	1	EA	
8	70102	SIDE CABINET ASSY. (RH)	1	EA	
9	33843	CASTER, FIXED, 2 1/2"	2	EA	
10	33794	SHELF, SIDE CABINET 9 (ORDER 31205 ALSO, QTY 1 PER SHELF)	2	EA	
11	33788	COVER, ELECT. MOUNTING	1	EA	
12	31930	BDLT, HEX HEAD, I/ 4-20 X 3/8', S/S	6	EA	
13	31876	NUT, 1/4-20, LKN, STEEL, W/ESL	2	EA	
14	31205	Grommet, Plastic, 1" ID x 1-3/8" OD	2	EA	
15	31132	MAGNET, SINGLE, SNAP IN .38"	2	EA	
16	30662	CASTER, 2 1/2" W/BRAKE	1	EA	
17	30661	CASTER, 2 1/2" W/O BRAKE	1	EA	
18	30417	IR ACCESS COVER	2	EA	
19	30290	SCREW, 1/4-20 X 1/2, THP, STEEL	10	EA	
20	30223	SCREW, 1/4-20 X 1/2, HWH, STEEL, SINC, SERRATED	12	EA	
NI	14012	SCREW, I/ 4-20 X 3/8 PH TRUSS HD, SIS	4	EA	
22	32639	SCREW, 1/4-20 X 1, THP, SS	4	EA	