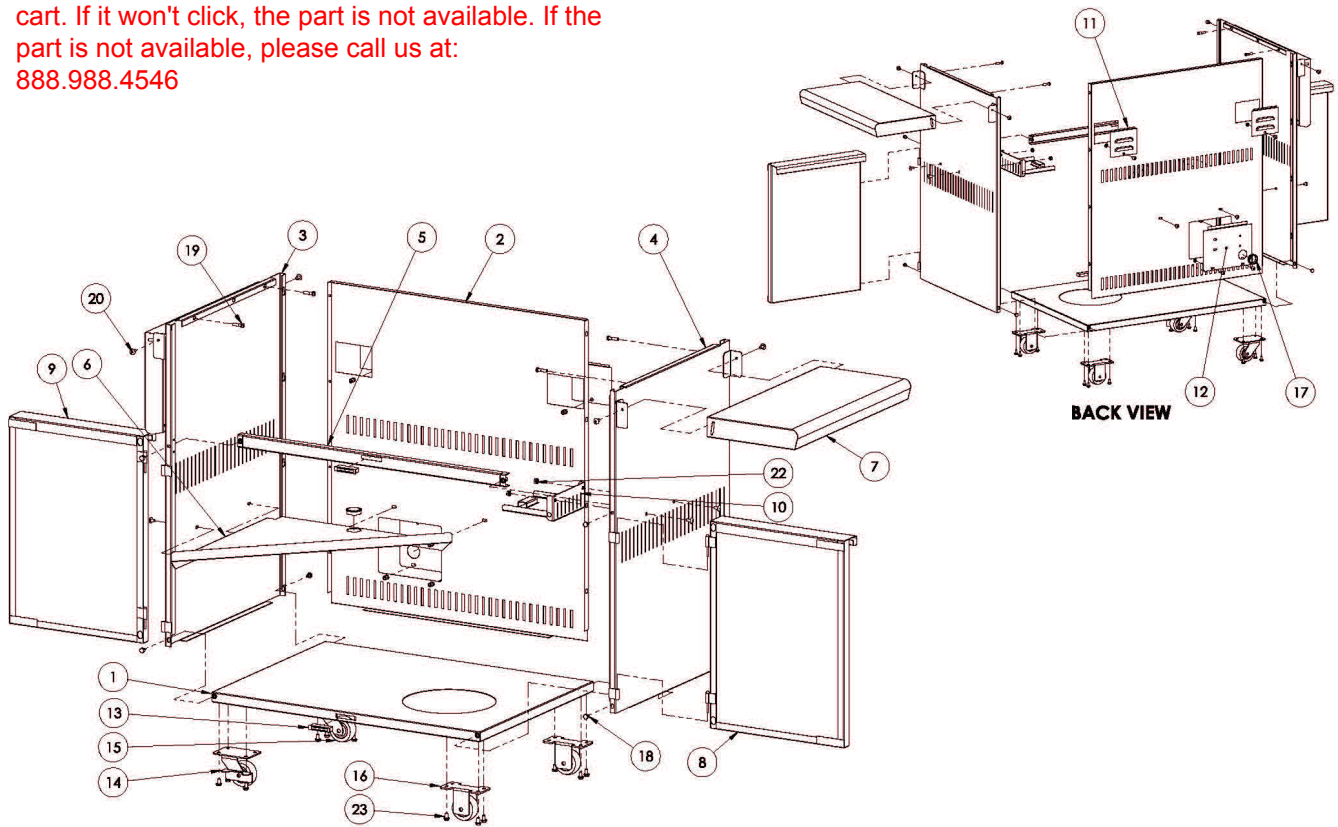


# L500PSF Cart

Click on any circled item, then add the part to your cart. If it won't click, the part is not available. If the part is not available, please call us at: 888.988.4546



Item	Part No.	Name	Qty	Uom	NOTES
1	70141	BASE CABINET ASSY. (30)	1	EA	
2	70103	BACK CABINET ASSY.	1	EA	
3	70101	SIDE CABINET ASSY, (LH)	1	EA	
4	70102	SIDE CABINET ASSY. (RH)	1	EA	
5	70106	BRACE ASSY. (ORDER ITEM 13 ALSO, QTY OF 2 EACH)	1	EA	
6	70107	SHELF ASSY.	1	EA	
7	33794	SHELF, SIDE CABINET 9 (ORDER 31205 ALSO, QTY 1 PER SHELF)	2	EA	
8	70109	DOOR PANEL ASSY., RH	1	EA	
9	70108	DOOR PANEL ASSY., LH	1	EA	
10	70110	TANK BRACKET ASSY	1	EA	
11	30417	IR ACCESS COVER	2	EA	
12	33788	COVER, ELECT. MOUNTING	1	EA	
13	31132	MAGNET, SINGLE, SNAP IN .38"	2	EA	
14	30661	CASTER, 2 1/2" W/O BRAKE	1	EA	
15	33843	CASTER, FIXED, 2 1/2"	1	EA	
16	31205	Grommet, Plastic, 1" ID x 1-3/8" OD	2	EA	
17	31205	Grommet, Plastic, 1" ID x 1-3/8" OD	2	EA	
18	31930	BDLT, HEX HEAD, I/ 4-20 X 3/8', S/S	6	EA	
19	32639	SCREW, 1/4-20 X 1, THP, SS	4	EA	
20	30290	SCREW, 1/4-20 X 1/2, THP, STEEL	10	EA	
NI	14012	SCREW, I/ 4-20 X 318 PH TRUSS HD, SIS	4	EA	
22	31876	NUT, 1/4-20, LKN, STEEL, W/ESL	2	EA	
23	30223	SCREW, 1/4-20 X 1/2, HWH, STEEL, SINC, SERRATED	12	EA	