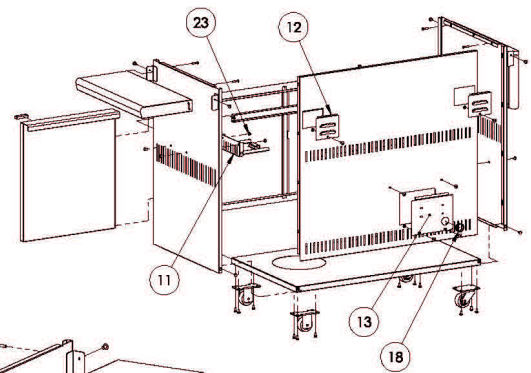
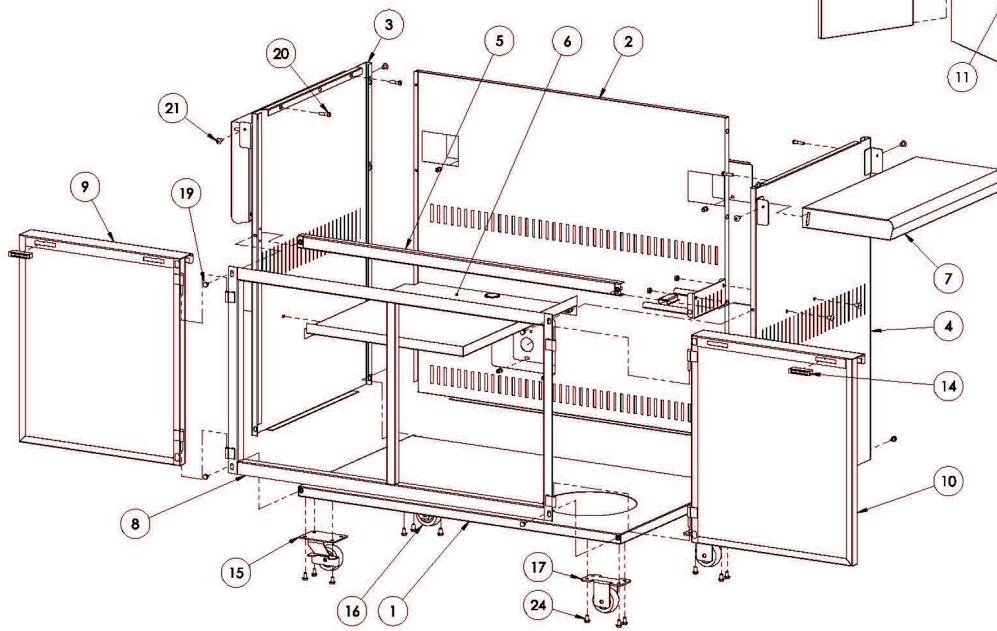


L600PSFR Cart

Click on any circled item, then add the part to your cart. If it won't click, the part is not available. If the part is not available, please call us at: 888.988.4546



BACK VIEW

Item	Part No.	Name	Qty	Uom	NOTES
1	70126	BASE CABINET ASSY. (30)	1	EA	
2	70124	BACK CABINET ASSY.	1	EA	
3	70139	SIDE CABINET ASSY, (LH)	1	EA	
4	70140	SIDE CABINET ASSY. (RH)	1	EA	
5	70128	BRACE ASSY.	1	EA	
6	70134	SHELF ASSEMBLY	1	EA	
7	33794	SHELF, SIDE CABINET 9 (ORDER 31205 ALSO, QTY 1 PER SHELF)	2	EA	
8	70133	DOOR FRAME ASSY.	1	EA	
9	70130	DOOR PANEL ASSY. (LH)	1	EA	
10	70132	DOOR PANEL ASSY (RH)	1	EA	
11	70110	TANK BRACKET ASSY	1	EA	
12	30417	IR ACCESS COVER	2	EA	
13	33788	COVER, ELECT. MOUNTING	1	EA	
14	31132	MAGNET, SINGLE, SNAP IN .38"	2	EA	
15	30661	CASTER, 2 1/2" W/O BRAKE	1	EA	
16	30662	CASTER, 2 1/2" W/BRAKE	1	EA	
17	33843	CASTER, FIXED, 2 1/2"	2	EA	
18	31205	Grommet, Plastic, 1" ID x 1-3/8" OD	2	EA	
19	31930	BDLT, HEX HEAD, I/ 4-20 X 3/8', S/S	6	EA	
20	32639	SCREW, 1/4-20 X 1, THP, SS	4	EA	
21	30290	SCREW, 1/4-20 X 1/2, THP, STEEL	10	EA	
NI	14012	SCREW, I/ 4-20 X 318 PH TRUSS HD, SIS	4	EA	
23	31876	NUT, 1/4-20, LKN, STEEL, W/ESL	2	EA	
24	30223	SCREW, 1/4-20 X 1/2, HWH, STEEL, SINC, SERRATED	12	EA	