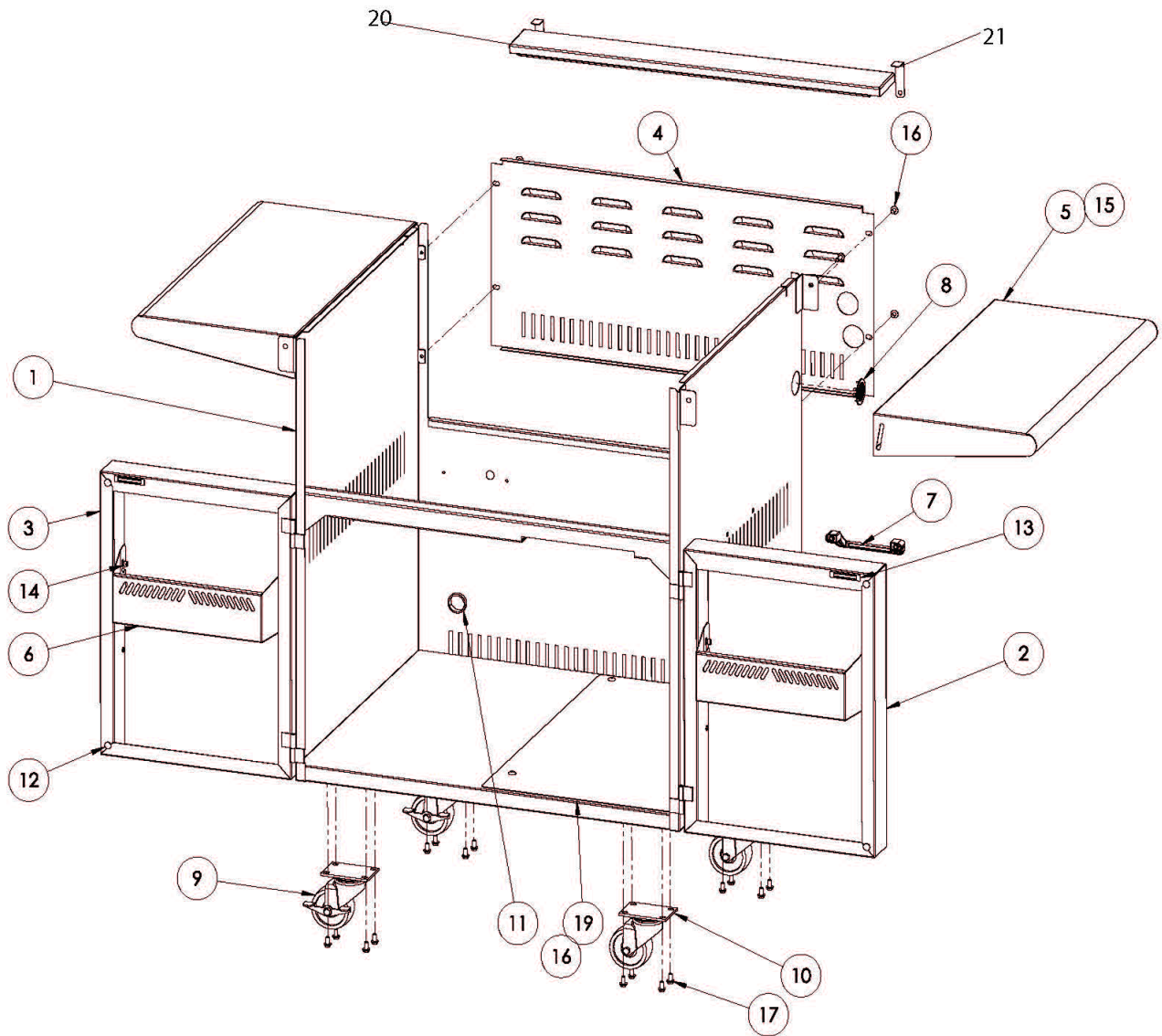


LCS30F Cart

Click on any circled item, then add the part to your cart. If it won't click, the part is not available. If the part is not available, please call us at: 888.988.4546



Item	Part No.	Name	Qty	Uom	NOTES
1	70554	FRAME WLDMNT 30" CABINET	1	EA	
2	70027	DOOR, 30", RH, WLDMT	1	EA	
3	70026	DOOR, 30", LH, WLDMNT	1	EA	
4	35400	REAR ACCESS PANEL, 30	1	EA	
5	32164	Side Shelf, 30/42/54	2	EA	
6	31754	BOTTLE HOLDER (LDR30)	2	EA	
7	L11174	HANDLE, 5" OFFSET SS	2	EA	
8	30003	CB ACCESS PLUG	1	EA	
9	20024	Caster, 3" w/Brake	2	EA	
10	20047	Caster, 3" w/o Brake	2	EA	
11	31205	Grommet, Plastic, 1" ID x 1-3/8" OD	1	EA	
12	31583	Rubber Bumper, 1/2" dia x 1/16	4	EA	
13	31132	MAGNET, SINGLE, SNAP IN .38"	2	EA	
14	32222	SCREW, SHLDR, #10-32 X 1/4, SLTD, SS, 1/4 DIA X 1/8	4	EA	
15	32202	SCREW, 1/4-20 x 3/4	2	EA	
16	14012	SCREW, 1/4-20 X 3/8 PH TRUSS HD, SIS	8	EA	
17	30223	SCREW, 1/4-20 X 1/2, HWH, STEEL, SINC, SERRATED	16	EA	
NI	30290	SCREW, 1/4-20 X 1/2, THP, STEEL	4	EA	
19	31163	COVER PLATE, CAB BOTT, 30/42	1	EA	
20	36097	FILLER TRIM	1	EA	
21	36096	STRAP, SUPPORT	1	EA	