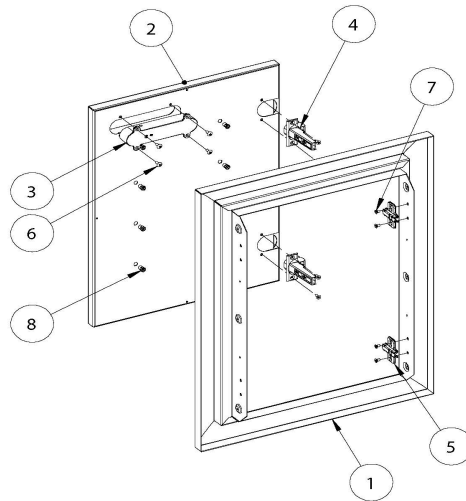


## LDR18L-4 Breakdown

Click on any circled item, then add the part to your cart. If it won't click, the part is not available. If the part is not available, please call us at: 888.988.4546



Item	Part No.	Name	Qty	Uom	NOTES
1	70404	FRAME, 18, WLDMT	1	EA	
2	70429	DOOR, LEFT, 18, WLDMT	1	EA	
3	81019	HANDLE, FLUSH, ASSY	1	EA	
4	35624	HINGE, SOFT CLOSE	2	EA	
5	35792	MOUNTING PLATE, HINGE, SOFT CLOSE	2	EA	
6	14014	SCREW #8-32 x 3/8 PH TRUSS HEAD S/S	4	EA	
7	32644	SCREW, #8-32 X 5/16 PH, FLAT HD	8	EA	
8	32768	NUT, #10-32, INSERT, STEEL, ZINC	8	EA	
NI	35749	SEAL, SILICONE, GASKETING	5.5FT	EA	