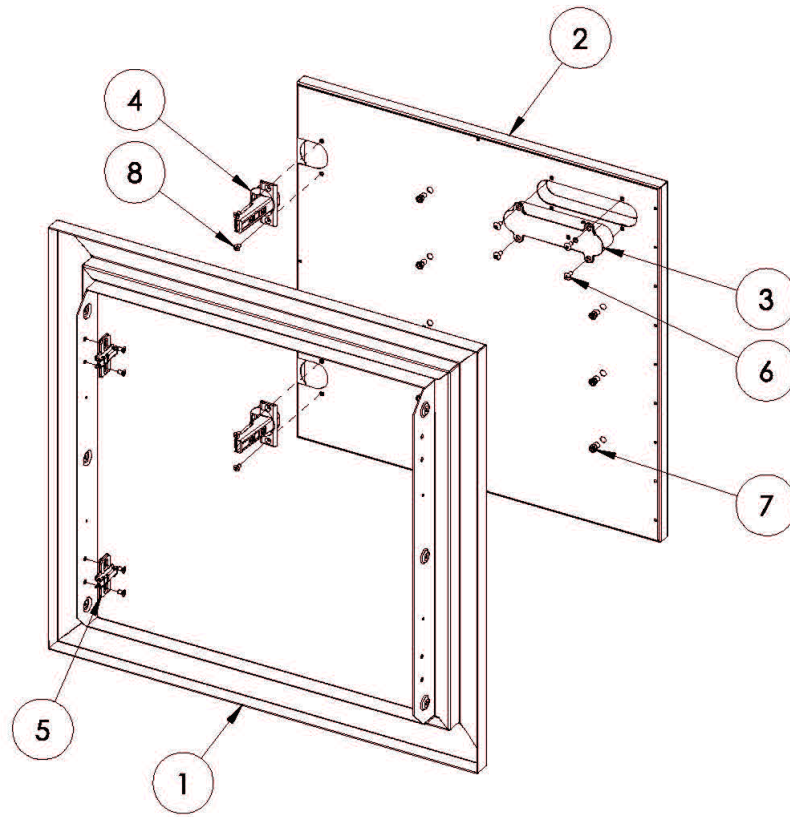


# LDR24R-4 Breakdown

Click on any circled item, then add the part to your cart. If it won't click, the part is not available. If the part is not available, please call us at: 888.988.4546



Item	Part No.	Name	Qty	Uom	NOTES
1	70406	FRAME, 24, WLDMT	1	EA	
2	70438	DOOR, RIGHT, 24, WLDMT	1	EA	
3	81019	HANDLE, FLUSH, ASSY	1	EA	
4	35624	HINGE, SOFT CLOSE	2	EA	
5	35792	MOUNTING PLATE, HINGE, SOFT CLOSE	2	EA	
6	14014	SCREW #8-32 x 3/8 PH TRUSS HEAD S/S	4	EA	
7	32768	NUT, #10-32, INSERT, STEEL, ZINC	8	EA	
8	32644	SCREW, #8-32 X 5/16 PH, FLAT HD	8	EA	
NI	35749	SEAL, SILICONE, GASKETING	6.4FT	EA	