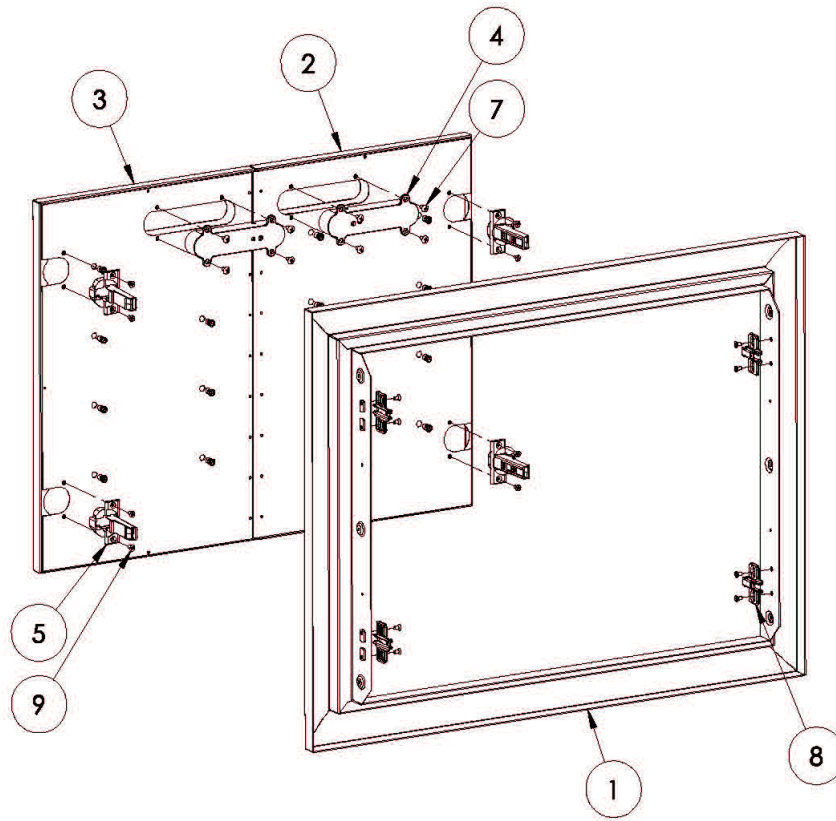


LDR30T-4 Breakdown

Click on any circled item, then add the part to your cart. If it won't click, the part is not available. If the part is not available, please call us at: 888.988.4546



Item	Part No.	Name	Qty	Uom	NOTES
1	70407	FRAME, 30T, WLDMT	1	EA	
2	70431	DOOR, LEFT, 30T, WLDMT	1	EA	
3	70432	DOOR, RIGHT, 30T, WLDMT	1	EA	
4	81019	HANDLE, FLUSH, ASSY	2	EA	
5	35624	HINGE, SOFT CLOSE	4	EA	
NI	32768	NUT, #10-32, INSERT, STEEL, ZINC	16	EA	
7	14014	SCREW #8-32 x 3/8 PH TRUSS HEAD S/S	8	EA	
8	35792	MOUNTING PLATE, HINGE, SOFT CLOSE	4	EA	
9	32644	SCREW, #8-32 X 5/16 PH, FLAT HD	16	EA	
NI	35749	SEAL, SILICONE, GASKETING	7.4FT	EA	