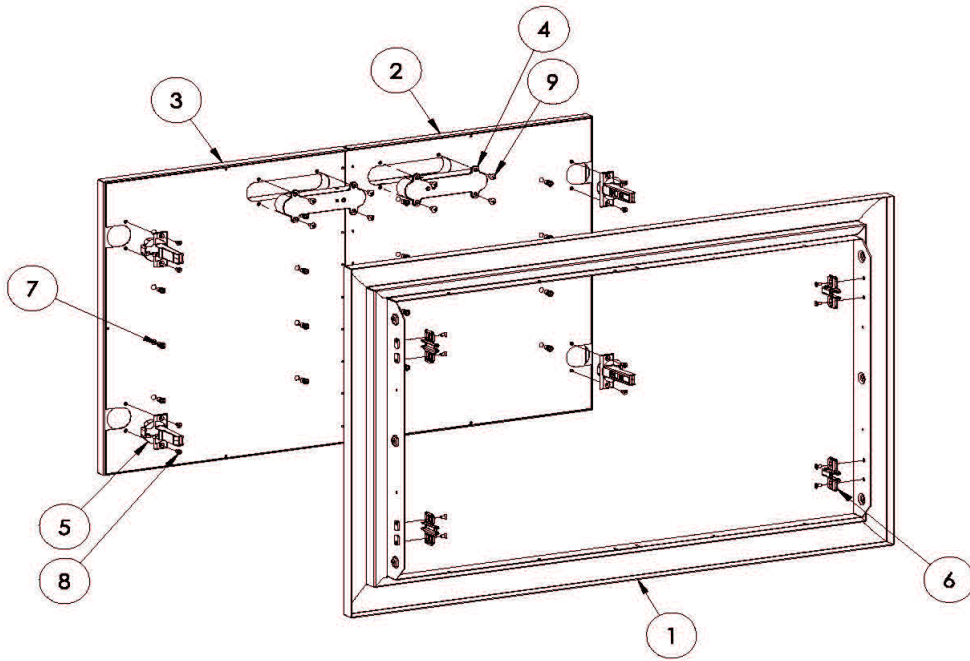


LDR36T-4 Breakdown

Click on any circled item, then add the part to your cart. If it won't click, the part is not available. If the part is not available, please call us at: 888.988.4546



Item	Part No.	Name	Qty	Uom	NOTES
1	70409	FRAME, 36, WLDMT	1	EA	
2	70456	DOOR, LEFT, 36, WLDMT	1	EA	
3	70455	DOOR, RIGHT, 36, WLDMT	1	EA	
4	81019	HANDLE, FLUSH, ASSY	2	EA	
5	35624	HINGE, SOFT CLOSE	4	EA	
6	35792	MOUNTING PLATE, HINGE, SOFT CLOSE	4	EA	
7	32768	NUT, #10-32, INSERT, STEEL, ZINC	16	EA	
8	32644	SCREW, #8-32 X 5/16 PH, FLAT HD	16	EA	
9	14014	SCREW #8-32 x 3/8 PH TRUSS HEAD S/S	8	EA	
NI	35749	SEAL, SILICONE, GASKETING	8.5FT	EA	