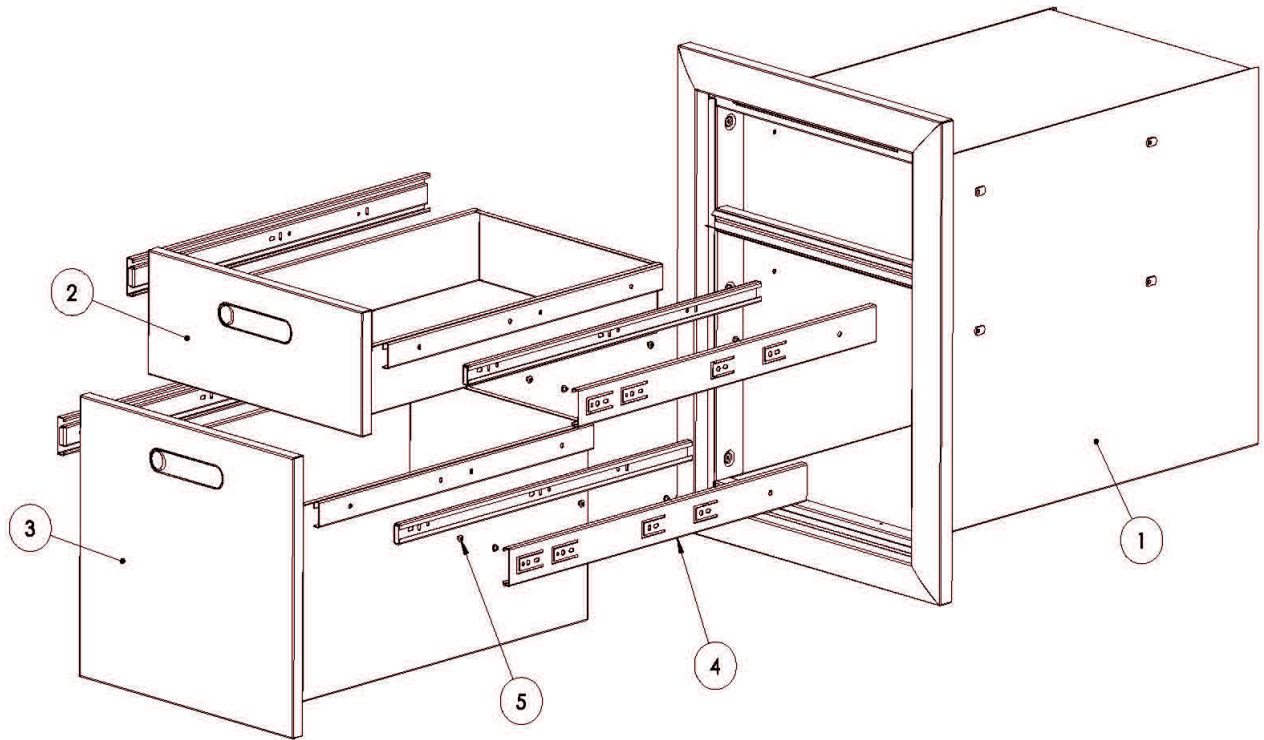


LDW19-4 Front View

Click on any circled item, then add the part to your cart. If it won't click, the part is not available. If the part is not available, please call us at: 888.988.4546



Item	Part No.	Name	Qty	Uom	NOTES
1	70405	CHASSIS, 19, WLDMT	1	EA	
2	81013	DRAWER, SM, 19, ASSY	1	EA	
3	81014	DRAWER, LG, 19, ASSY	1	EA	
4	34731	DRAWER SLIDE, 22", SOFT CLOSE	4	EA	
5	33517	SCREW, #8-32 X 3/16, PHP, SS	16	EA	
NI	35749	SEAL, SILICONE, GASKETING	8.2FT	EA	