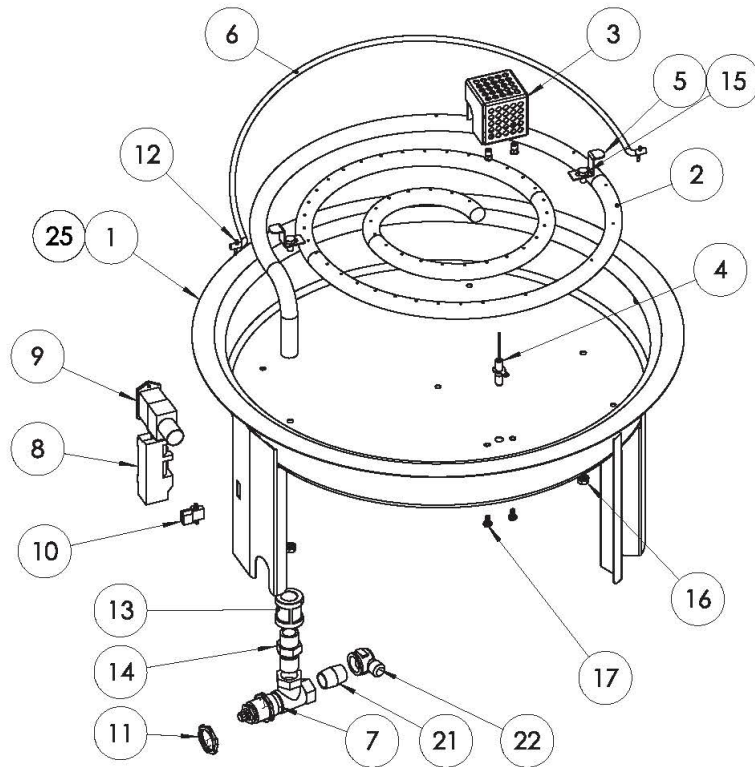


LFPS-C Parts Breakdown

Click on any circled item, then add the part to your cart. If it won't click, the part is not available. If the part is not available, please call us at: 888.988.4546



Item	Part No.	Name	Qty	Uom	NOTES
1	80884	FIREPAN WELDMENT	1	EA	
2	34641	NAUTILUS BURNER	1	EA	
3	34640	IGNITER SHIELD	1	EA	
4	31217	SPARK ELECTRODE, 15"	1	EA	
5	34654	BRACKET, BURNER RETAINER	2	EA	
6	34644	HANDLE, PAN	1	EA	
7	34652	KEY VALVE, FIREPIT	1	EA	
8	31162	IGNITION MODULE - 2 SPARK	1	EA	
9	70231	BATTERY HOLDER	1	EA	
10	34773	MOLEX PLUG, PANEL MOUNT	1	EA	
11	34774	LOCK NUT, ELECT., 3/4" - 14 NPSM	2	EA	
12	34775	COTTER PIN, .093 X .750	2	EA	
13	31582	UNION COUPLER, 1/2" NPT	1	EA	
14	34695	ORIFICE, VENTED, #41	1	EA	
15	14030	SCREW, 1/4-20 X 1/2, HHD, SS	2	EA	
16	31876	NUT, 1/4-20, LKN, STEEL, W/ESL	2	EA	
17	33706	SCREW, #10-32 X 3/8, PHP, SS	2	EA	
NI	32768	NUT, #10-32, INSERT, STEEL, ZINC	2	EA	
NI	80661	WIRE, GROUND, 16"	1	EA	
NI	70230	WIRE, IGNITION, 6"	1	EA	
21	13012	NIPPLE, PIPE, 1/2 NPT X 1 1/4" - NG	1	EA	
22	13054	ELBOW, 3/8" FLARE TO 1/2" FIP-LP ONLY	1	EA	
NI	30751	SCREW #6-32 X 1/2 PH FLAT HEAD	2	EA	
NI	70232	ICE BOWL	1	EA	
25	80883	BURNER PAN ASSEMBLY	1	EA	