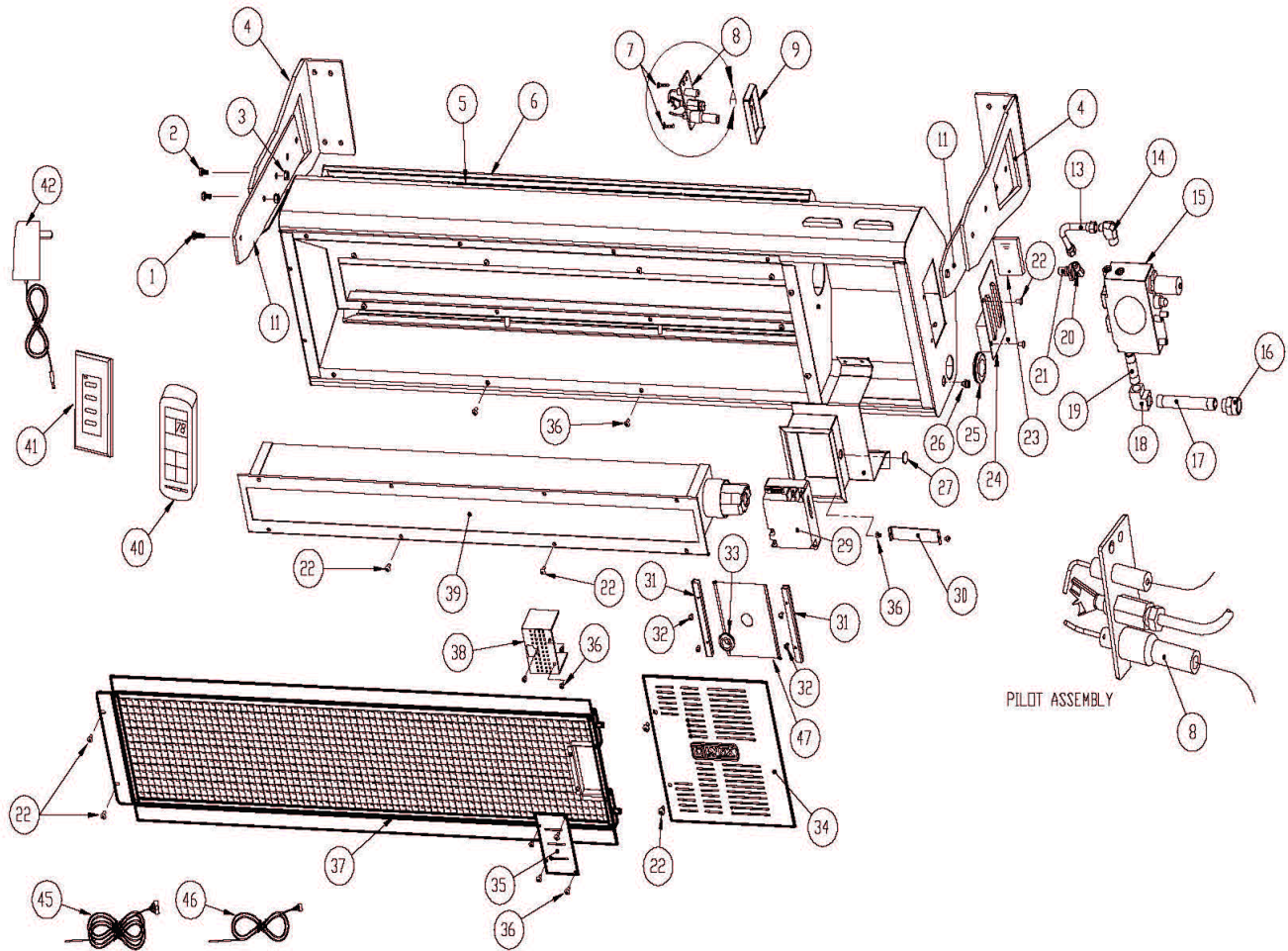


LHEM48 Parts Breakdown

Click on any circled item, then add the part to your cart. If it won't click, the part is not available. If the part is not available, please call us at: 888.988.4546



Item	Part No.	Name	Qty	Uom	NOTES
1	14029	SCREW, 1/4-20 X 1, HHD, SS	4	EA	
2	14030	SCREW, 1/4-20 X 1/2, HHD, SS	4	EA	
3	31876	NUT, 1/4-20, LKN, STEEL, W/ESL	4	EA	
4	35429	Bracket, Eave Mounting	2	EA	
Not Shown	30147	Washer, 3/8, FLT, SS, 7/8 O.D.	8	EA	
Not Shown	33511	Screw, 5/16 x 1-1/2, HHD, SS, LAG	8	EA	
5	33523	Heat Bae Lower Shield	2	EA	
6	80676	Heat Bae Assy	2	EA	
7	33507	Screw, #8-32 X 3/4, PHP, SS	2	EA	
8	33935	Pilot Orifice NG LHEM	1	EA	
Not Shown	34032	Pilot Orifice, LP	1	EA	
8a	35113	Pilot LHEM	1	EA	
8b	35221	Pilot tube, LHEM	1	EA	
9	33441	Pilot Spacer Bracket	1	EA	
11	33417	Mounting Extension Bracket, EaveMount Patio Heater	2	EA	
13	32836	FLEX TUBE, S/S, 3/8" X 9"	1	EA	
14	33502	Fitting, Brass 90Elbow 3/8 NPT M/F	1	EA	
15	33933	Valve, Main	1	EA	
16	33504	Cplg, Brass Redr, 1/2 NPT x	1	EA	
17	33455	Nipple, Pipe, 3/8 NPT x 5"	1	EA	
18	33503	Fitting, Brass 90Elbow 3/8 NPT Fem	1	EA	
19	33337	Nipple, Pipe, 3/8 NPT x 2 1/2"	1	EA	
20	13009	Elbow, Orifice w/o Hood & Pin	1	EA	
21	33505	Orifice, #36 Short IR NG	1	EA	
Not Shown	13016	ORIFICE IR ROTIS, NG (#50 SHORT)	1	EA	
22	14014	SCREW #8-32 x 3/8 PH TRUSS HEAD S/S	28	EA	
23	33930	Battery Holder	1	EA	
24	80670	Cover, Side Access	1	EA	

Item	Part No.	Name	Qty	Uom	NOTES
25	33984	GROMMET, RBR, 1 I.D. X 1 3/8 O.D.	1	EA	
26	80677	Jack Power Wire Harness LHEM48	1	EA	
Not Shown	33993	Sealing Cap, Jack Receptacle	1	EA	
27	33983	Hole Plug, Flexible Plastic	1	EA	
29	33934	Receiver Module	1	EA	
30	33476	Module Holding Strap	1	EA	
31	33477	Cover Holding Clip	2	EA	
32	33517	SCREW, #8-32 X 3/16, PHP, SS	4	EA	
33	32532	Grommet, Rubber 5/8" ID x 1 1/8" OD	1	EA	
34	33309	Access Cover	1	EA	
35	33311	Igniter Cover	1	EA	
36	14018	SCREW, #6-32 X 1/4 PH, PAN HD	15	EA	
37	80513	Diuser Assembly	1	EA	
38	33522	Pilot Screen, Heater	1	EA	
39	33315	Burner, IR Eave Mount	1	EA	
40	33938	Transmitter, Touchscreen	1	EA	
41	33939	Wall Switch Transmitter	1	EA	
42	80722	AC Power Adapter w/Jack Plug	1	EA	
45	33941	Wiring Harness, Main	1	EA	
46	33995	Wire Harness, Stepper Motor	1	EA	
47	33475	Module Cover Plate	1	EA	