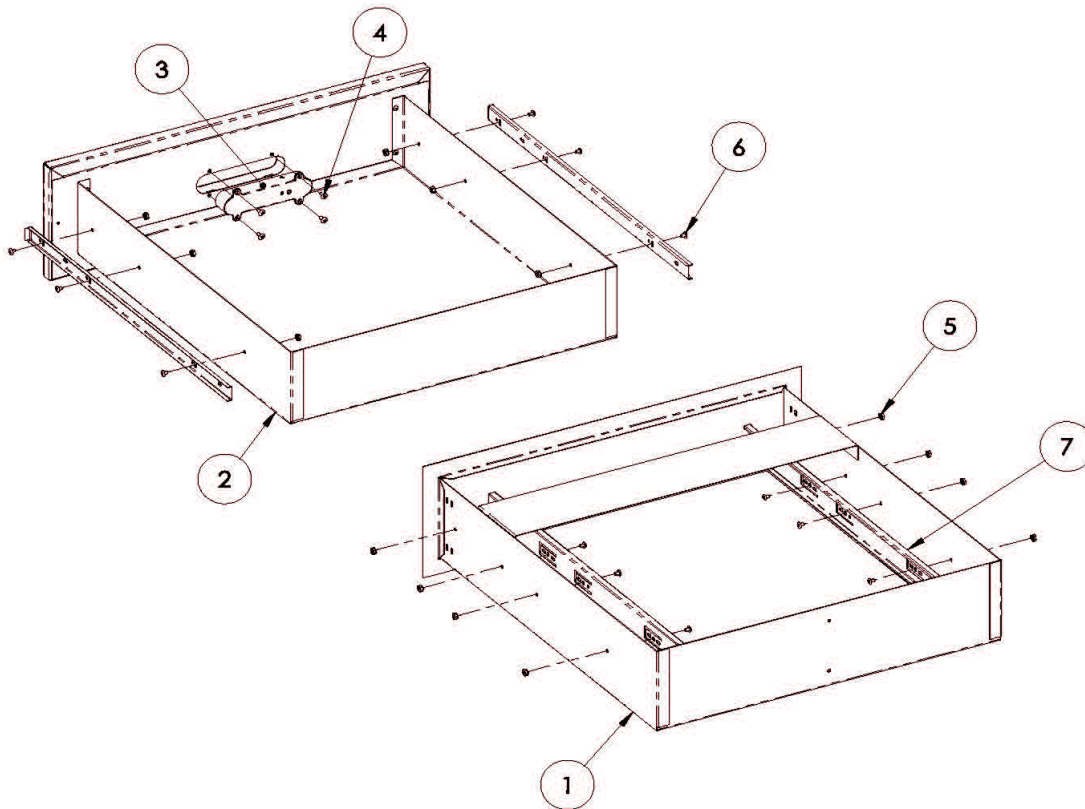


LMD-4 Breakdown

Click on any circled item, then add the part to your cart. If it won't click, the part is not available. If the part is not available, please call us at: 888.988.4546



Item	Part No.	Name	Qty	Uom	NOTES
1	80413	DRAWER FRAME, MODULAR, WLDMT	1	EA	
2	70451	DRAWER, MODULAR, WLDMT	1	EA	
3	81019	HANDLE, FLUSH, ASSY	1	EA	
4	14014	SCREW #8-32 x 3/8 PH TRUSS HEAD S/S	4	EA	
5	14024	LOCK NUT, #8-32, SIS	14	EA	
6	32389	SCREW, #8-32 X 1/4, THP, SS	14	EA	
7	32979	DRAWER SLIDE, 22", SOFT CLOSE	2	EA	
NI	31935	WEATHER STRIPPING, 3/8"	2FT	EA	