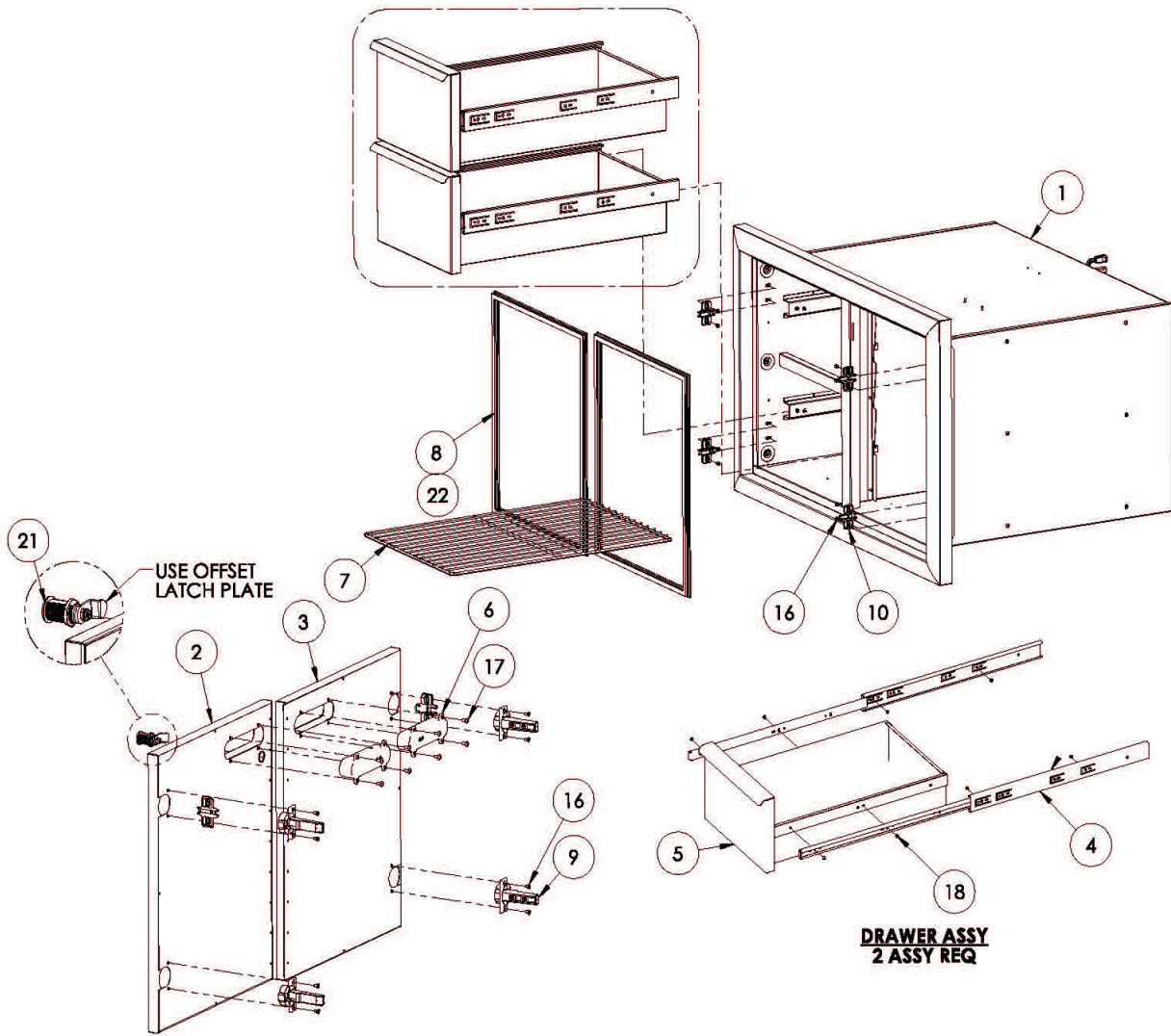


LPA36-4 Front View

Click on any circled item, then add the part to your cart. If it won't click, the part is not available. If the part is not available, please call us at: 888.988.4546



Item	Part No.	Name	Qty	Uom	NOTES
1	70448	CHASSIS, LPA 36, WLDMT	1	EA	
2	70474	DOOR, RIGHT, 36, LPA, WLDMT	1	EA	
3	70435	DOOR, LEFT, 36, LPA, WLDMT	1	EA	
4	34731	DRAWER SLIDE, 22", SOFT CLOSE	4	EA	
5	70442	DRAWER, PANTRY, 36	2	EA	
6	81019	HANDLE, FLUSH, ASSY	2	EA	
7	35750	RACK, SHELF, PANTRY	1	EA	
8	35732	SEAL,GASKET, MAGNETIC, PANTRY	2	EA	
9	35624	HINGE, SOFT CLOSE	4	EA	
10	35792	MOUNTING PLATE, HINGE, SOFT CLOSE	4	EA	
NI	32632	CORD GRIP, LIQUID TIGHT, .23"-.40"	1	EA	
16	32644	SCREW, #8-32 X 5/16 PH, FLAT HD	16	EA	
17	14014	SCREW #8-32 x 3/8 PH TRUSS HEAD S/S	8	EA	
18	33517	SCREW, #8-32 X 3/16, PHP, SS	16	EA	
21	35826	CAM LOCK	1	EA	
22	35824	ADHESIVE TRANSFER TAPE 1/2"	11..5FT	EA	
NI	36014	TAPE, STAINLESS STEEL FOIL	1FT	EA	