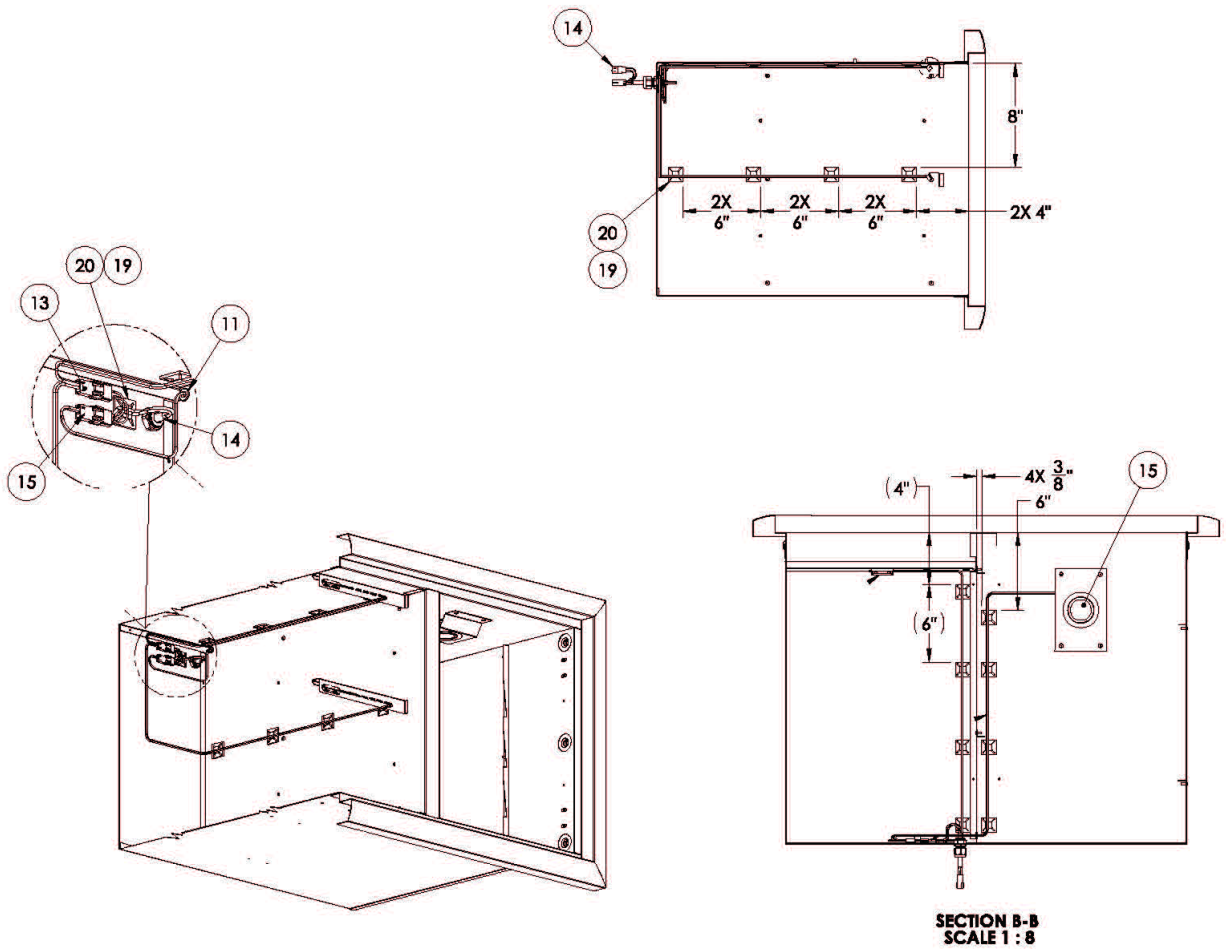


LPA36-4 Rear View

Click on any circled item, then add the part to your cart. If it won't click, the part is not available. If the part is not available, please call us at: 888.988.4546



Item	Part No.	Name	Qty	Uom	NOTES
11	35623	GROMMET, RBR, 1/4 I.D. X 1/2 O.D.	1	EA	
13	81024	HARNESS, LED LIGHT, DOUBLE	1	EA	
14	70218	HARNESS, POWER, (LPA)	1	EA	
15	70236	LED CLUSTER W/CONNECTOR	1	EA	
19	35383	CABLE TIE, NYLON, 5.5"	16	EA	
20	35432	MOUNT, CABLE TIE	13	EA	