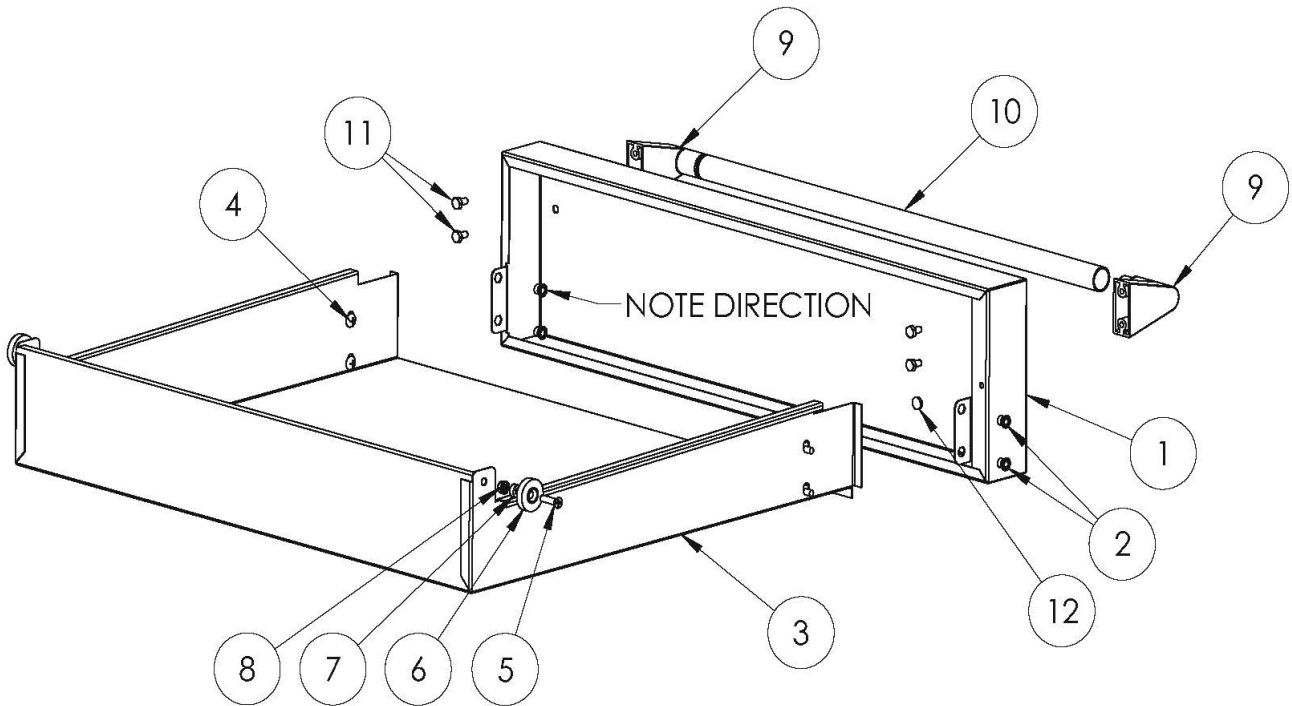


LPZAF 30in Drawer Asm

Click on any circled item, then add the part to your cart. If it won't click, the part is not available. If the part is not available, please call us at: 888.988.4546



Item	Part No.	Name	Qty	Uom	NOTES
1	35236	DRAWER FACE, 30"	1	EA	
2	32769	NUT, 1/4-20, INSERT, STEEL, ZINC	4	EA	
3	35235	DRAWER BODY, 30"	1	EA	
4	14012	SCREW, 1/4-20 X 3/8 PH TRUSS HD, SIS	4	EA	
5	14043	SCREW, 1/4-20 X 1, FHP, SS	2	EA	
6	10192	BEARING, FLT SS 1.3125 DIA	2	EA	
7	10193	SPACER, 1/4 NOM, 1/2 O.D. X .21, SS, RND	2	EA	
8	31876	NUT, 1/4-20, LKN, STEEL, W/ESL	2	EA	
9	31736	END CAP FDR HOOD HANDLE	2	EA	
10	32522	HOOD HANDLE, 30°	1	EA	
11	14030	SCREW, 1/4-20 X 1/2, HHD, SS	4	EA	
12	32477	HOOD BUMPER, .500 DIA	1	EA	