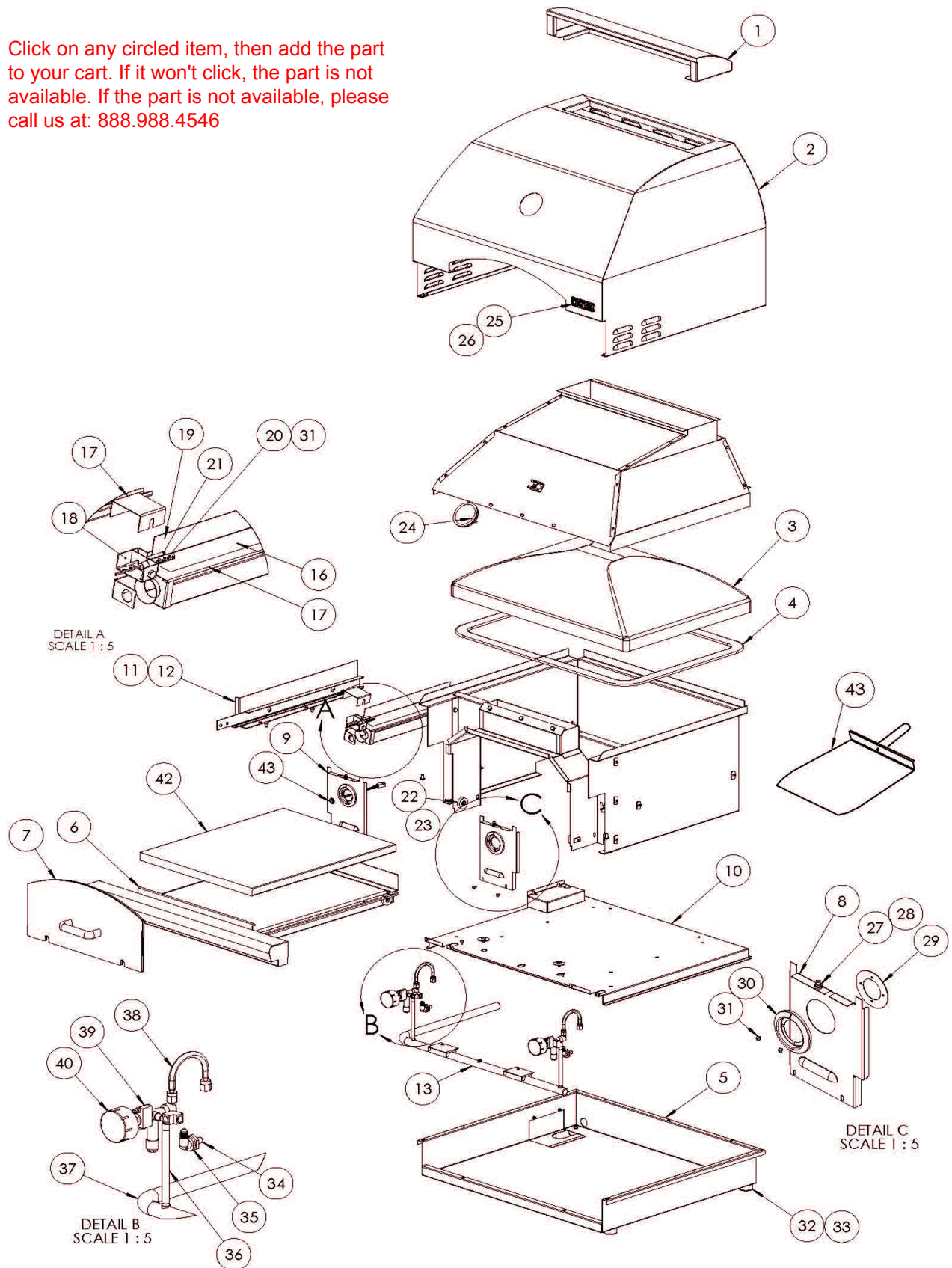


# LPZAF Oven

Click on any circled item, then add the part to your cart. If it won't click, the part is not available. If the part is not available, please call us at: 888.988.4546



Item	Part No.	Name	Qty	Uom	NOTES
1	70323	COVER, HOOD WELDMENT	1	EA	
2	70380	HOOD WELDMENT LPZA	1	EA	
NI	30290	SCREW, 1/4-20 X 1/2, THP, STEEL	5	EA	
3	35117	DOME, EZ CAST	1	EA	
4	35316	GASKET, FIBERGLASS	1	EA	
5	80943	FLOOR SUPPORT ASSEMBLY	1	EA	
6	81119	PULLOUT TRAY ASSY.	1	EA	
7	80939	ACCESS DOOR ASSY.	1	EA	
8	35175	CONTROL PANEL, RH	1	EA	
NI	14014	SCREW #8-32 x 3/8 PH TRUSS HEAD S/S	2	EA	
9	80949	CONTROL PANEL, LH	1	EA	
NI	14014	SCREW #8-32 x 3/8 PH TRUSS HEAD S/S	2	EA	
10	70336	BASE PAN WELDMENT	1	EA	
NI	30290	SCREW, 1/4-20 X 1/2, THP, STEEL	5	EA	
NI	14014	SCREW #8-32 x 3/8 PH TRUSS HEAD S/S	2	EA	
11	70343	SUPPORT, WHEEL ASSY. RH	1	EA	
12	70344	SUPPORT, WHEEL ASSY. LH	1	EA	
13	80937	GAS TRAIN ASSEMBLY	1	EA	
NI	31930	BDLT, HEX HEAD, I/ 4-20 X 3/8', S/S	2	EA	
14	70338	SUPPORT, BURNER RH	1	EA	
15	70339	SUPPORT, BURNER LH	1	EA	
16	L11168	BURNER, IR 16" - 27"	2	EA	
17	35313	IR IGNITER COVER, NAPOLI	2	EA	
18	80791	IR BRACKET ASSEMBLY- RH	1	EA	
19	80790	IR BRACKET WELDMENT	1	EA	
NI	31930	BDLT, HEX HEAD, I/ 4-20 X 3/8', S/S	1	EA	
20	20018	IR THERMOCOUPLE	2	EA	
21	33052	IR ELECTRODE, HOT SURFACE	2	EA	
22	10192	BEARING, FLT SS 1.3125 DIA	8	EA	

Item	Part No.	Name	Qty	Uom	NOTES
23	10193	SPACER, 1/4 NOM, 1/2 O.D. X .21, SS, RND	8	EA	
NI	14043	SCREW, 1/4-20 X 1, FHP, SS	1	EA	
24	35765	HOOD THERMOMETER, SEALED (BLACK)	1	EA	
25	11074	LYNX LOGO	1	EA	
26	31062	NUT, 1/8, SPEED, STEEL, SELF THREADING	2	EA	
27	32554	LED HOLDER	2	EA	
28	32055	WASHER, 5/16, SPL, SS	2	EA	
29	35318	BEZEL PLATE	2	EA	
30	10001	BEZEL	2	EA	
31	31929	BEZEL SCREW, #6-32 X 1/8 PH PAN	4	EA	
32	34374	RUBBER BUMPER, 0.75" HT	4	EA	
33	32202	SCREW, 1/4-20 x 3/4	4	EA	
34	31880	ORIFICE NG #43	2	EA	
Not Shown	13020	ORIFICE BURNER LP (#54 SHORT)	2	EA	
35	31795	IR BRASS ELBOW, 7/16-20 MALE THREAD	2	EA	
36	35179	VALVE NIPPLE	2	EA	
37	70322	MANAFOLD ASSEMBLY	1	EA	
38	35222	FLEX TUBE, 1/4" X 7" LG , SS	2	EA	
39	34970	VALVE, SAFETY ADJUSTABLE, BODY	2	EA	
40	35311	KNOB	2	EA	
41	35169	BULLNOSE, 30" HANDLE	1	EA	
42	35118	CORLITE TILE	1	EA	
43	34755	PIZZA PEEL	1	EA	
Not Shown	35337	ICNOSRULLIATTEI OTINLE	1	EA	
44	33148	LIGHT SWITCH + HARNESS, BLUE LIGHTED	1	EA	
NI	80847	TRANSFORMER ASSEMBLY	1	EA	
NI	80446	HOOD LIGHT ASS'Y, SINGLE W/LOW BULB	1	EA	
NI	70347	POWER HARNESS ASSEMBLY	1	EA	

<b>Item</b>	<b>Part No.</b>	<b>Name</b>	<b>Qty</b>	<b>Uom</b>	<b>NOTES</b>
NI	70348	LED HARNES ASSEMBLY	1	EA	
NI	70349	IGNITION HARNESS ASSEMBLY	1	EA	
NI	33100	TRANSFORMER, 5 AMP, ALL PRO	1	EA	