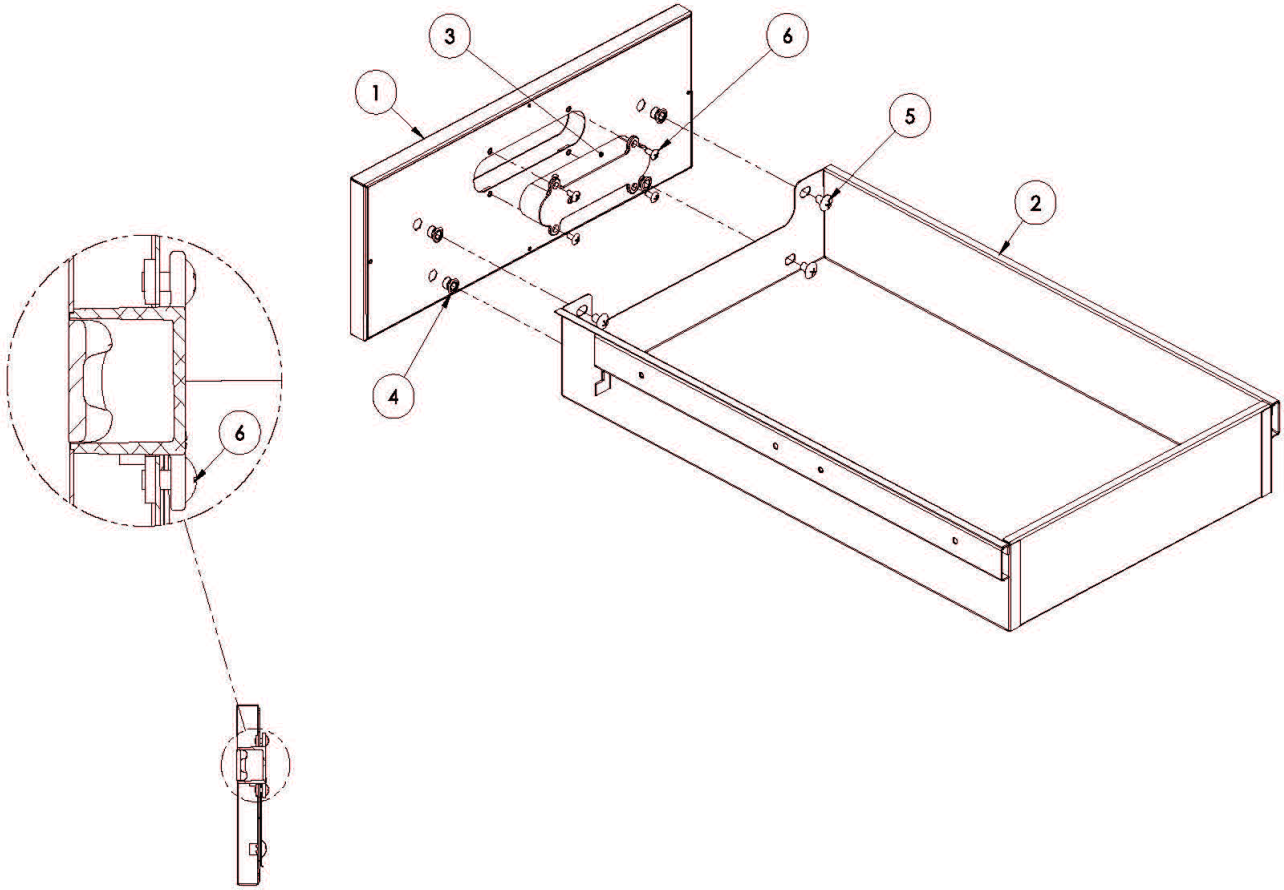


LSA36-4 Small Drawer

Click on any circled item, then add the part to your cart. If it won't click, the part is not available. If the part is not available, please call us at: 888.988.4546



Item	Part No.	Name	Qty	Uom	NOTES
1	70421	DRAWER, FACE, SM, 36, WLDMT	1	EA	
2	70422	DRAWER, BODY, SM, 36, WLDMT	1	EA	
3	81019	HANDLE, FLUSH, ASSY	1	EA	
4	32769	NUT, 1/4-20, INSERT, STEEL, ZINC	4	EA	
5	14012	SCREW, I/ 4-20 X 3/8 PH TRUSS HD, SIS	4	EA	
6	14014	SCREW #8-32 x 3/8 PH TRUSS HEAD S/S	4	EA	