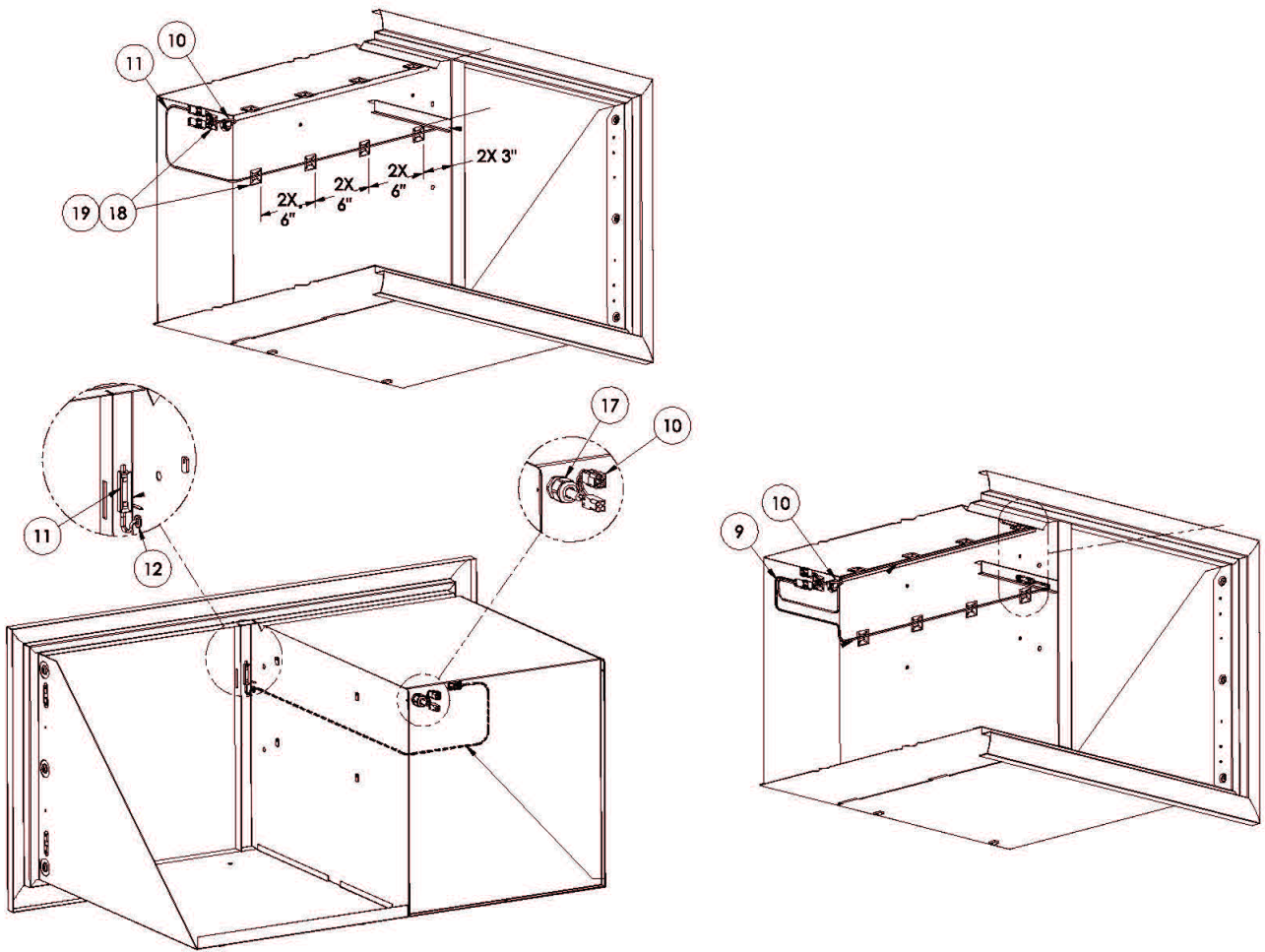


LSA42-4 Rear View

Click on any circled item, then add the part to your cart. If it won't click, the part is not available. If the part is not available, please call us at: 888.988.4546



Item	Part No.	Name	Qty	Uom	NOTES
9	81024	HARNESS, LED LIGHT, DOUBLE	1	EA	
10	70218	HARNESS, POWER, (LPA)	1	EA	
11	81022	HARNESS, LED LIGHT, SINGLE	1	EA	
12	35623	GROMMET, RBR, 1/4 I.D. X 1/2 O.D.	1	EA	
17	32632	CORD GRIP, LIQUID TIGHT, .23"-.40"	1	EA	
18	35432	MOUNT, CABLE TIE	9	EA	
19	35383	CABLE TIE, NYLON, 5.5"	12	EA	