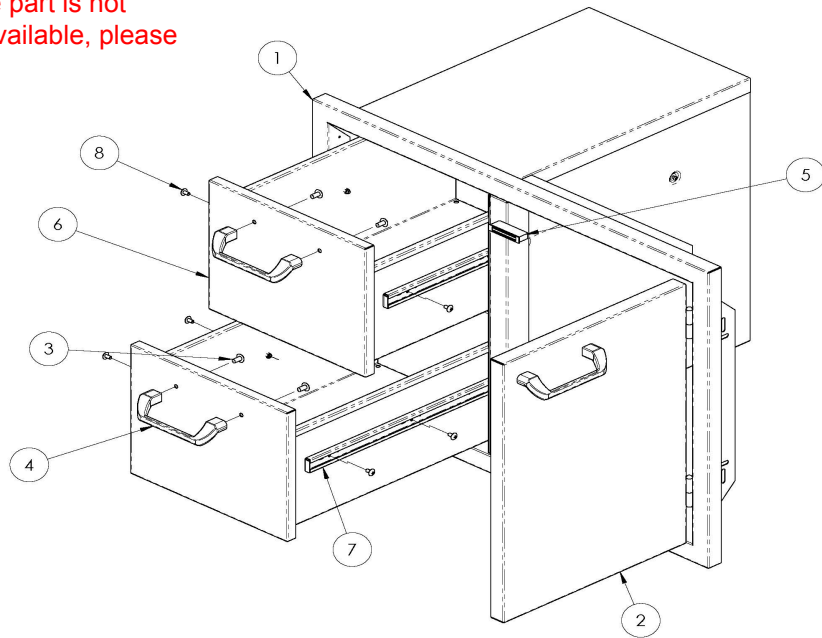


## LSA530 UNIT COMPONENTS

Click on any circled item, then add the part to your cart. If it won't click, the part is not available. If the part is not available, please call us at: 888.988.4546



Item	Part No.	Name	Qty	Uom	NOTES
1	70391	FRAME WLDMNT, LSA530	1	EA	
2	70460	DOOR PANEL WLDMNT, RH 30"	1	EA	
3	30290	SCREW, 1/4-20 X 1/2, THP, STEEL	6	EA	
4	L11174	HANDLE, 5" OFFSET SS	3	EA	
5	34959	MAGNET, SNAP-IN 1" X 1 1/2"	1	EA	
6	70390	DRAWER WLDMNT, 30"	2	EA	
7	32217	DRAWER SLIDE, 18" FULL EXTENTION	4	EA	
8	32767	SCREW, #10-32 X 3/8, THP, SS	12	EA	
9	32377	RIVET, .125 X .265, BLIND, SS	8	EA	