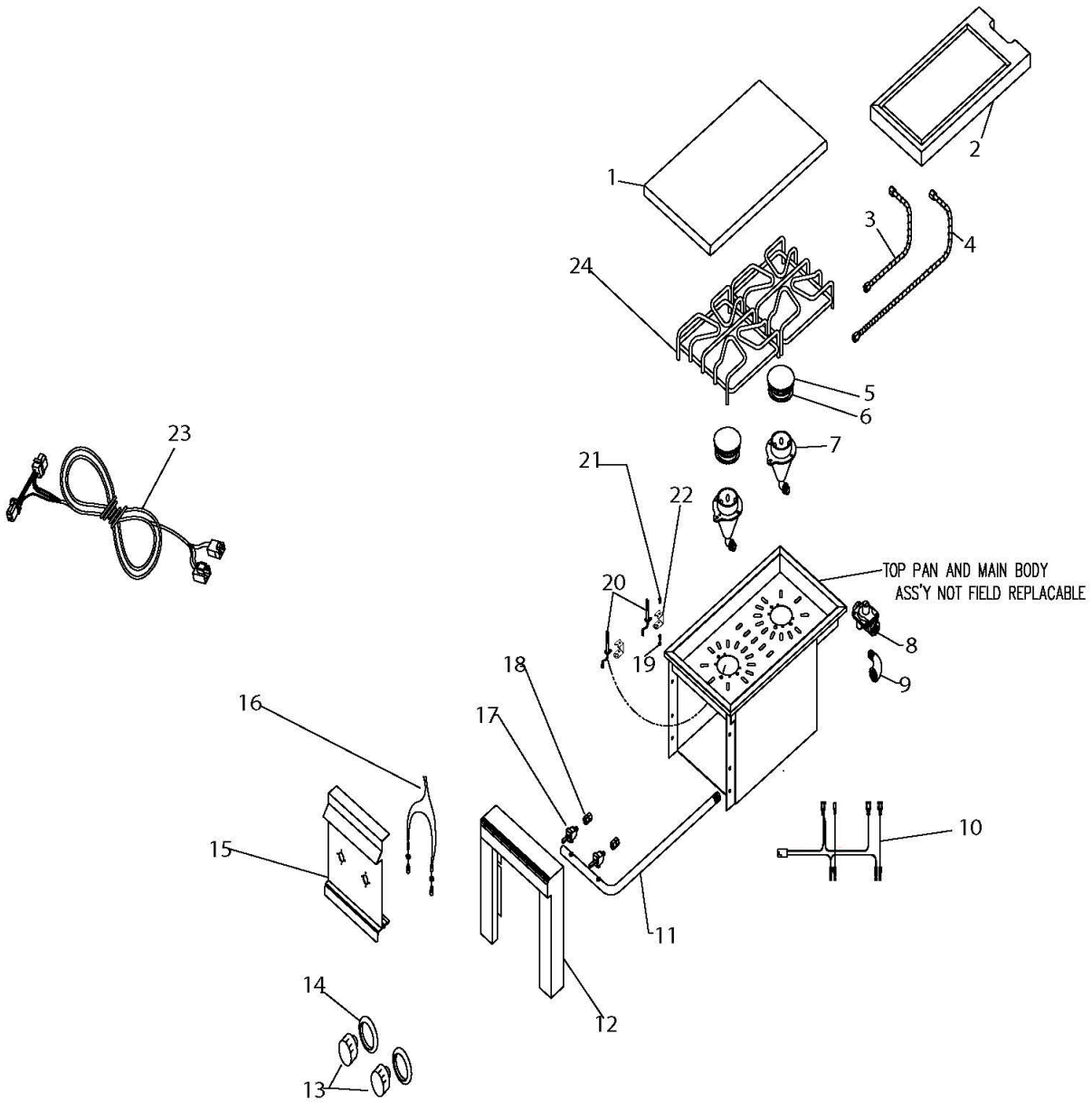


LSB2PC-1 Parts Breakdown

Click on any item, then add the part to your cart. If it won't click, the part is not available. If the part is not available, please call us at: 888.988.4546



Item	Part No.	Name	Qty	Uom	NOTES
1	31298	REMOVEABLE COVER FOR CUTTING BLOCK	1	EA	
Not Shown	31299	REMOVEABLE COVER FOR SIDE BURNER	1	EA	
2	33177	CUTTING BOARD	1	EA	
3	32836	FLEX TUBE, S/S, 3/8" X 9"	1	EA	
4	32837	FLEX TUBE, S/S, 3/8" X 24"	1	EA	
5	32231	BRASS CAP	2	EA	
6	32232	ALUM INSERT	2	EA	
7	33414	ALUM. BURNER BODY ONLY	2	EA	
Not Shown	32677	BURNER KIT + CAP, NG	2	EA	
Not Shown	32678	BURNER KIT + CAP, LP	2	EA	
Not Shown	31034	ORIFICE ONLY NG #185	2	EA	
Not Shown	31035	ORIFICE ONLY LP #115	2	EA	
8	30781	REGULATOR 4/11 N/G ONLY	1	EA	
9	13010	ELBOW, STREET, 1/2" 90 DEGREE-NG ONLY	1	EA	
10	70059	IGNITION WIRE HARNESS ASSY	1	EA	
11	80240	MANIFOLD COMPLETE ASSY	1	EA	
12	80521	BULLNOSE ASSY	1	EA	
13	90137	KNOB BURNER STAINLESS	2	EA	
14	10001	BEZEL	2	EA	
Not Shown	31929	BEZEL SCREW, #6-32 X 1/8 PH PAN	4	EA	
15	70074	FRONT PANEL - LIGHTED	1	EA	
16	70051	LED HARNESS ASSY	1	EA	
17	34103	MAIN BURNER VALVE W/MICROSWITCH	2	EA	
18	14001	ADAPTER 1/8" FTP X 3/8	2	EA	
19	14024	LOCK NUT, #8-32, SIS	2	EA	
20	33052	IR ELECTRODE, HOT SURFACE	2	EA	
21	14014	SCREW #8-32 x 3/8 PH TRUSS HEAD S/S	2	EA	

Item	Part No.	Name	Qty	Uom	NOTES
22	33159	IGNITER BRACKET	2	EA	
23	70040	MAIN POWER HARNESS	1	EA	
24	31215	GRATE	1	EA	