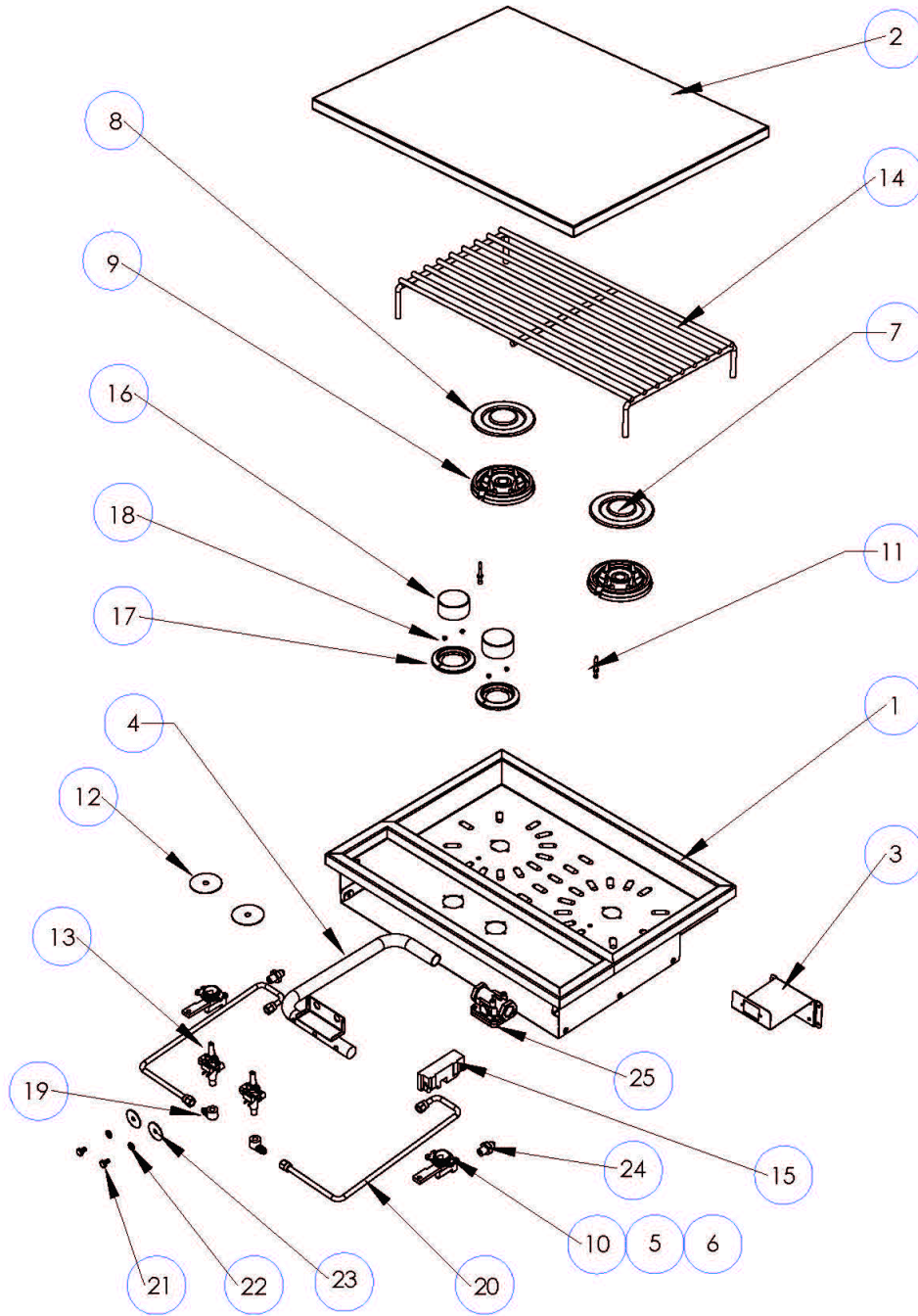


LSB502 Parts Breakdown

Click on any circled item, then add the part to your cart. If it won't click, the part is not available. If the part is not available, please call us at: 888.988.4546



Item	Part No.	Name	Qty	Uom	NOTES
1	N/A	PAN / BODY WELDMENT	1	EA	
2	33916	COVER	1	EA	
3	33827	TRANSFORMER MOUNTING BRACKET	1	EA	
4	80693	MANIFOLD WELDMENT	1	EA	
5	33952	ORIFICE, N.G.	2	EA	
6	33945	ORIFICE, L.P.	2	EA	
7	33946	CAP, INNER	2	EA	
8	33947	CAP, OUTER	2	EA	
9	33948	PORT RING, BURNER	2	EA	
10	33949	BASE, BURNER	2	EA	
11	33950	IGNITOR, BURNER	2	EA	
12	33955	WASHER, LARGE	2	EA	
13	33340	VALVE, SIDE BURNER W/SPRING	2	EA	
14	33866	BAR GRATE	1	EA	
15	31162	IGNITION MODULE - 2 SPARK	1	EA	
16	33932	KNOB, BURNER	2	EA	
17	10001	BEZEL	2	EA	
18	31929	BEZEL SCREW, #6-32 X 1/8 PH PAN	4	EA	
19	34038	FITTING, ELBOW, VALVE TO TUBING	2	EA	
20	34040	TUBING, FLEX W/ COMP. FITTINGS	2	EA	
21	31930	BDLT, HEX HEAD, 1/ 4-20 X 3/8', S/S	2	EA	
22	14026	PIVOT WASHER, SPLIT LOCK, 1/4 SIS	2	EA	
23	14044	Washer, 1/4, Flat, SS, 11/16 O.D.	2	EA	
24	34039	ADAPTER FITTING	2	EA	
25	30781	REGULATOR 4/11 N/G ONLY	1	EA	
NI	70053	LED HARNESS ASSY	1	EA	
NI	70067	WIRE HARNESS, IGNITION	1	EA	
NI	70040	MAIN POWER HARNESS	1	EA	
NI	80695	MANIFOLD COMPLETE ASSY.	1	EA	

Item	Part No.	Name	Qty	Uom	NOTES
NI	31879	BATTERY HOLDER	1	EA	