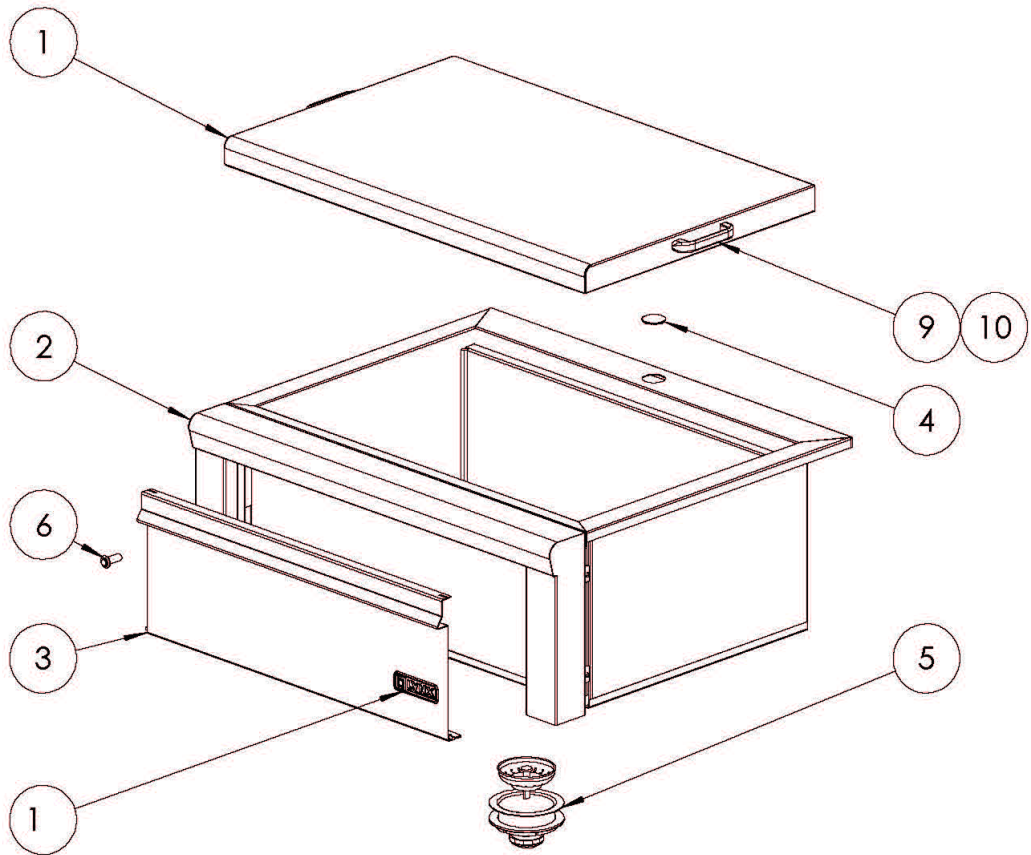


LSK18 Parts Breakdown

Click on any circled item, then add the part to your cart. If it won't click, the part is not available. If the part is not available, please call us at: 888.988.4546



| Item | Part No. | Name | Qty | Uom | NOTES |
|------|----------|---|-----|-----|-------|
| 1 | 70292 | LID ASSEMBLY | 1 | EA | |
| 2 | 80906 | BULLNOSE ASSY | 1 | EA | |
| 3 | 80907 | LIGHT PANEL ASSY | 1 | EA | |
| 4 | 34674 | HOLE PLUG, 1 3/8" | 1 | EA | |
| 5 | 34762 | BASKET STRAINER, 3 1/2" | 1 | EA | |
| 6 | 33148 | LIGHT SWITCH + HARNESS, BLUE LIGHTED | 1 | EA | |
| NI | 70070 | POWER WIRE HARNESS | 1 | EA | |
| NI | 80434 | LED HARNESS ASSY 27' NON-IR | 1 | EA | |
| 9 | 31379 | HANDLE, 4" STAINLESS | 2 | EA | |
| 10 | 14050 | SCREW, #10-24 X 3/8, PHP, SS | 4 | EA | |
| 11 | 11074 | LYNX LOGO | 1 | EA | |
| NI | 31062 | NUT, 1/8, SPEED, STEEL, SELF THREADING | 2 | EA | |
| NI | 33525 | TRANSFORMER | 1 | EA | |