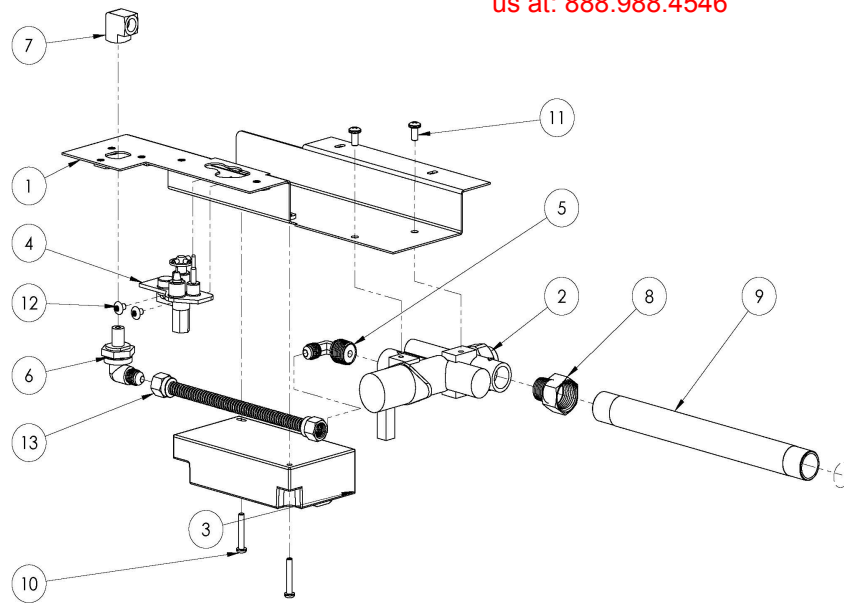


# LSMK Burner Assembly

Click on any circled item, then add the part to your cart. If it won't click, the part is not available. If the part is not available, please call us at: 888.988.4546



Item	Part No.	Name	Qty	Uom	NOTES
1	70495	VALVE BRKT, WLDMT	1	EA	
2	34715	VALVE, GAS SMOKER	1	EA	
3	34726	CONTROL MODULE, VALVE	1	EA	
4	34729	PILOT ASSEMBLY (INCLUDES THERMOCOUPLE, INGINTER WIRES, AND GAS HOSE)	1	EA	
5	34760	ELBOW, 3/8 NPT TO 1/4 FLAIR	1	EA	
6	31795	IR BRASS ELBOW, 7/16-20 MALE THREAD	1	EA	
7	35114	FTNG, ELB, 90, 1/8 FNPT, FEM	1	EA	
8	34756	FTNG, ADAP, 3/8 NPT TO 1/2 NPT	1	EA	
9	34765	NIPPLE, PIPE, 1/2 NPT X 9	1	EA	
10	32469	SCREW /HOOD STOP-#8-32 X 1' PH TRUSS HD	2	EA	
11	33706	SCREW, #10-32 X 3/8, PHP, SS	2	EA	
12	32389	SCREW, #8-32 X 1/4, THP, SS	2	EA	
13	35222	FLEX TUBE, 1/4" X 7" LG , SS	1	EA	
NI	34744	V-WIRE, 24"	1	EA	