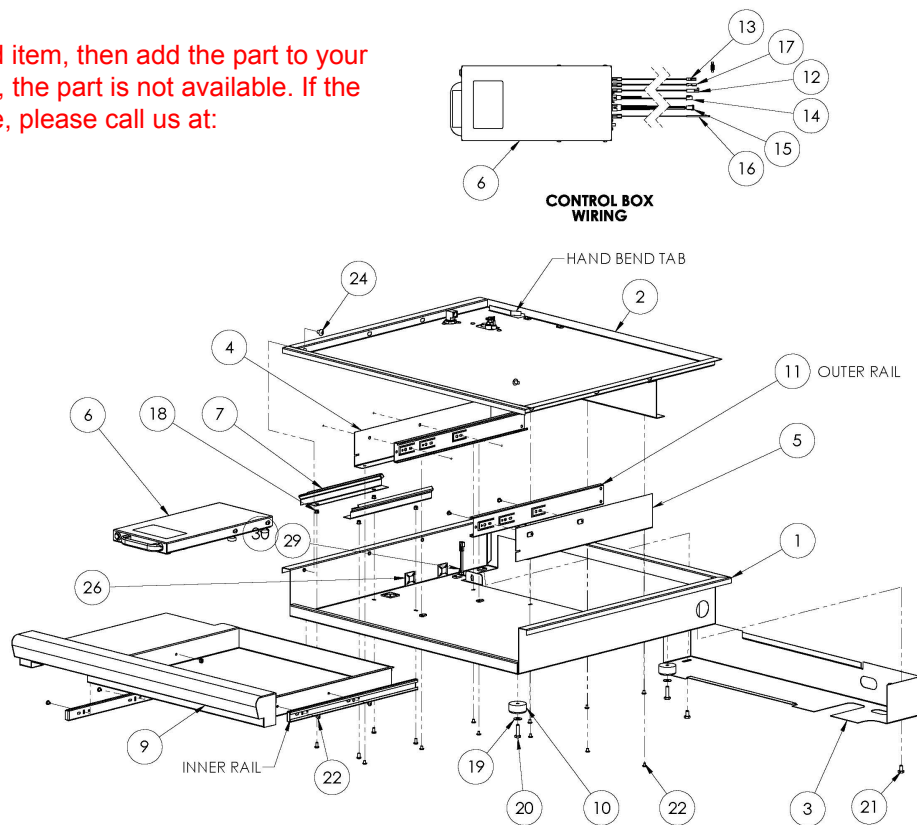


LSMKF Base Assembly

Click on any circled item, then add the part to your cart. If it won't click, the part is not available. If the part is not available, please call us at: 888.988.4546



Item	Part No.	Name	Qty	Uom	NOTES
1	70494	BASE TRAY, WLDMT	1	EA	
2	81049	PAN, SMOKER, ASSY	1	EA	
3	35887	COVER, ACCESS	1	EA	
4	70493	SUPPORT, SLIDE, WLDMT	1	EA	
5	70535	SUPPORT, SLIDE, RH, WLDMT	1	EA	
6	81047	CONTROL BOX, ASSY	1	EA	
7	35876	SUPPORT TRACK, LH	1	EA	
NI	35877	SUPPORT TRACK, RH	1	EA	
9	81048	BULLNOSE TRAY ASSY	1	EA	
10	34374	RUBBER BUMPER, 0.75" HT	4	EA	
11	34554	DRAWER SLIDE, 16", SELF CLOSE	1	EA	
12	81067	WIRE HARNESS, LIGHT EXT., 36"	1	EA	
13	81057	WIRE HARNESS, POWER IN	1	EA	
14	81063	WIRE HARNESS, CONT TO MODULE	1	EA	
15	81065	WIRE HARNESS, TEMP PROBE, 52"	1	EA	
16	81066	WIRE HARNESS, THERMOCOUPLE	1	EA	
17	81068	WIRE HARNESS, PWR, CONT. MODULE	1	EA	
18	32768	NUT, #10-32, INSERT, STEEL, ZINC	4	EA	
19	14044	Washer, 1/4, Flat, SS, 11/16 O.D.	4	EA	
20	14029	SCREW, 1/4-20 X 1, HHD, SS	4	EA	
21	14030	SCREW, 1/4-20 X 1/2, HHD, SS	2	EA	
22	32389	SCREW, #8-32 X 1/4, THP, SS	18	EA	
NI	33706	SCREW, #10-32 X 3/8, PHP, SS	4	EA	
24	14012	SCREW, 1/4-20 X 3/8 PH TRUSS HD, SIS	2	EA	
NI	14024	LOCK NUT, #8-32, SIS	4	EA	
26	35432	MOUNT, CABLE TIE	3	EA	
NI	35383	CABLE TIE, NYLON, 5.5"	6	EA	
NI	35372	WIRE, SLEEVE, SPLIT, 3/8 I.D, BLK, NYLON	2ft	EA	

Item	Part No.	Name	Qty	Uom	NOTES
29	35355	CORD GRIP, SNAP-IN, .25-.30 CABLE	1	EA	
30	81059	WIRE HARNESS, EXTENSION, POWER IN	1	EA	