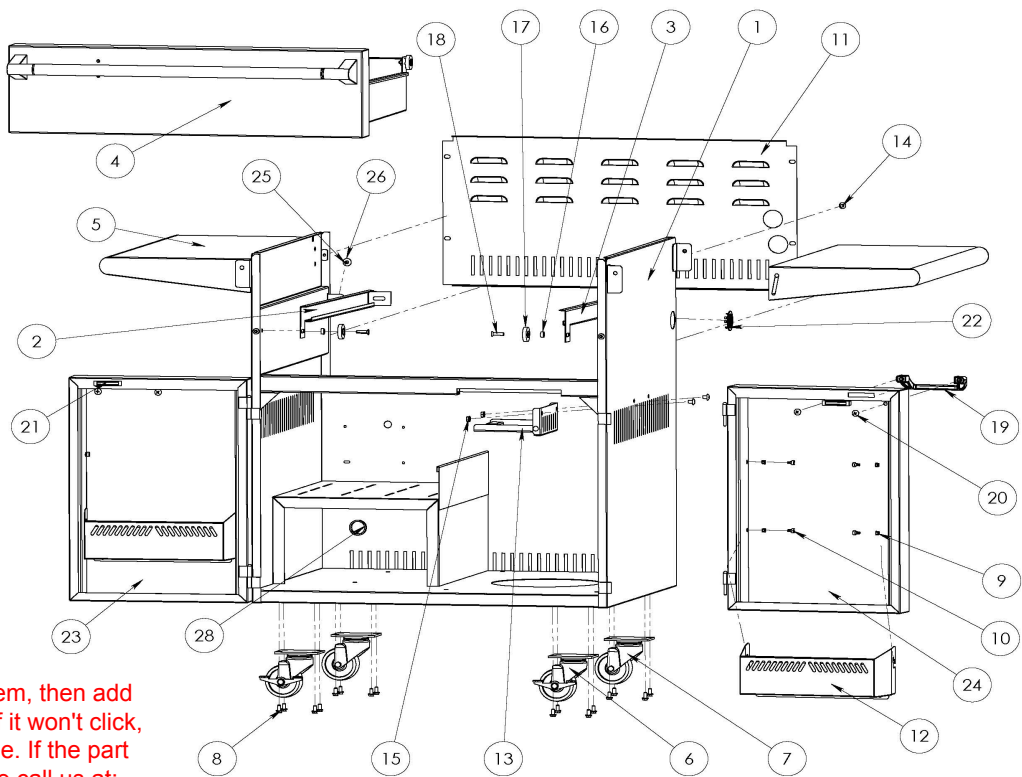


LSMKF Cart Assembly



Click on any circled item, then add the part to your cart. If it won't click, the part is not available. If the part is not available, please call us at: 888.988.4546

Item	Part No.	Name	Qty	Uom	NOTES
1	70480	SMOKER CABINET WELDMNT 30"	1	EA	
2	18092	Large Drawer Slide, LH	1	EA	
3	18093	Large Drawer Slide, RH	1	EA	
4	81038	DRAWER ASSEMBLY, 30"	1	EA	
5	32164	Side Shelf, 30/42/54	2	EA	
6	20024	Caster, 3" w/Brake	2	EA	
7	20047	Caster, 3" w/o Brake	2	EA	
8	30223	SCREW, 1/4-20 X 1/2, HWH, STEEL, SINC, SERRATED	16	EA	
9	32768	NUT, #10-32, INSERT, STEEL, ZINC	8	EA	
10	32222	SCREW, SHLDR, #10-32 X 1/4, SLTD, SS, 1/4 DIA X 1/8	8	EA	
11	35400	REAR ACCESS PANEL, 30	1	EA	
12	31754	BOTTLE HOLDER (LDR30)	2	EA	
13	70110	TANK BRACKET ASSY	1	EA	
14	14012	SCREW, 1/4-20 X 318 PH TRUSS HD, SIS	6	EA	
15	31876	NUT, 1/4-20, LKN, STEEL, W/ESL	2	EA	
16	10193	SPACER, 1/4 NOM, 1/2 O.D. X .21, SS, RND	2	EA	
17	10192	BEARING, FLT SS 1.3125 DIA	2	EA	
18	14043	SCREW, 1/4-20 X 1, FHP, SS	2	EA	
19	L11174	HANDLE, 5" OFFSET SS	2	EA	
20	30290	SCREW, 1/4-20 X 1/2, THP, STEEL	4	EA	
21	31132	MAGNET, SINGLE, SNAP IN .38"	2	EA	
22	30003	CB ACCESS PLUG	1	EA	
23	70026	DOOR, 30", LH, WLDMNT	1	EA	
24	70027	DOOR, 30", RH, WLDMT	1	EA	
25	14030	SCREW, 1/4-20 X 1/2, HHD, SS	2	EA	
26	14044	Washer, 1/4, Flat, SS, 11/16 O.D.	2	EA	
28	31205	Grommet, Plastic, 1" ID x 1-3/8" OD	1	EA	