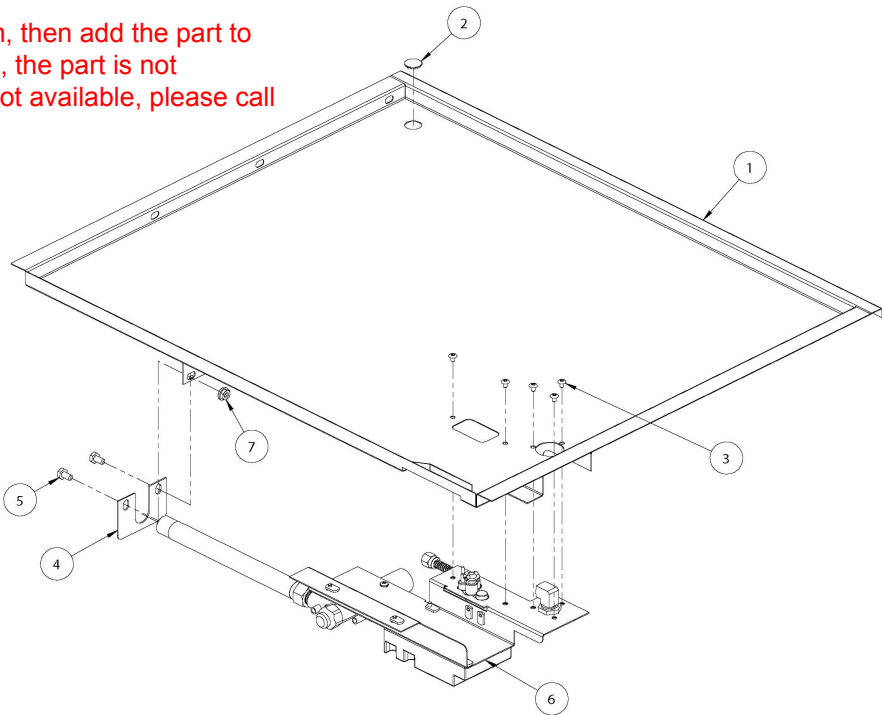


LSMKF Pan Assembly

Click on any circled item, then add the part to your cart. If it won't click, the part is not available. If the part is not available, please call us at: 888.988.4546



Item	Part No.	Name	Qty	Uom	NOTES
1	70496	PAN, BOTTOM, WLDMT	1	EA	
2	30666	HOLE PLUG 3/4	1	EA	
3	32389	SCREW, #8-32 X 1/4, THP, SS	7	EA	
4	36011	HANGER PLATE	1	EA	
5	14030	SCREW, 1/4-20 X 1/2, HHD, SS	2	EA	
6	81050	BURNER, SMOKER, ASSY	1	EA	
7	32731	NUT, 1/4-20, FLG, SS, SERRATED	2	EA	