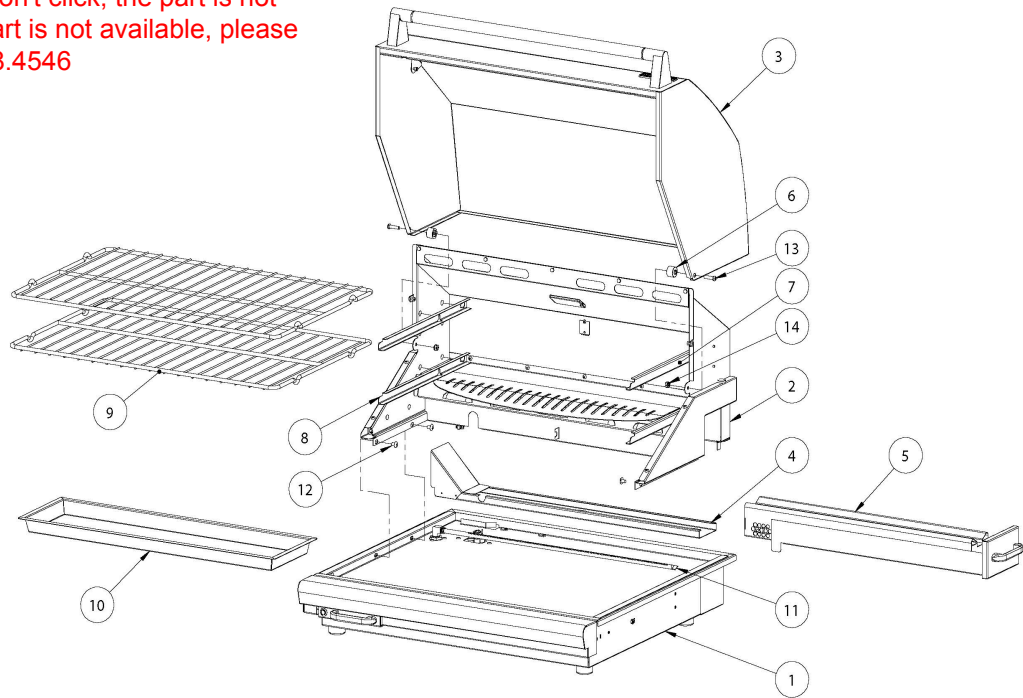


# LSMKF Smoker Assembly

Click on any circled item, then add the part to your cart. If it won't click, the part is not available. If the part is not available, please call us at: 888.988.4546



Item	Part No.	Name	Qty	Uom	NOTES
1	81053	BASE, SMOKER, ASSY	1	EA	
2	81052	REAR HOOD ASSY	1	EA	
3	81051	FRONT HOOD ASSY.	1	EA	
4	70492	AIR CHANNEL, WLDMT	1	EA	
5	81054	DRAWER, CHIP TRAY, ASSY	1	EA	
6	32642	SPACER, HOOD 5/8" GE	2	EA	
7	35912	TRAY SUPPORT RAIL, RH	2	EA	
8	35913	TRAY SUPPORT RAIL, LH	2	EA	
9	34789	RACK, WIRE	2	EA	
10	35959	TRAY, BASTING	1	EA	
11	35882	GAS BURNER, STRAIGHT	1	EA	
12	14012	SCREW, 1/4-20 X 3/8 PH TRUSS HD, SIS	4	EA	
13	14013	PIVOT SCREW, 1/4-20 X 1" HEX DRIVE	2	EA	
14	31876	NUT, 1/4-20, LKN, STEEL, W/ESL	2	EA	