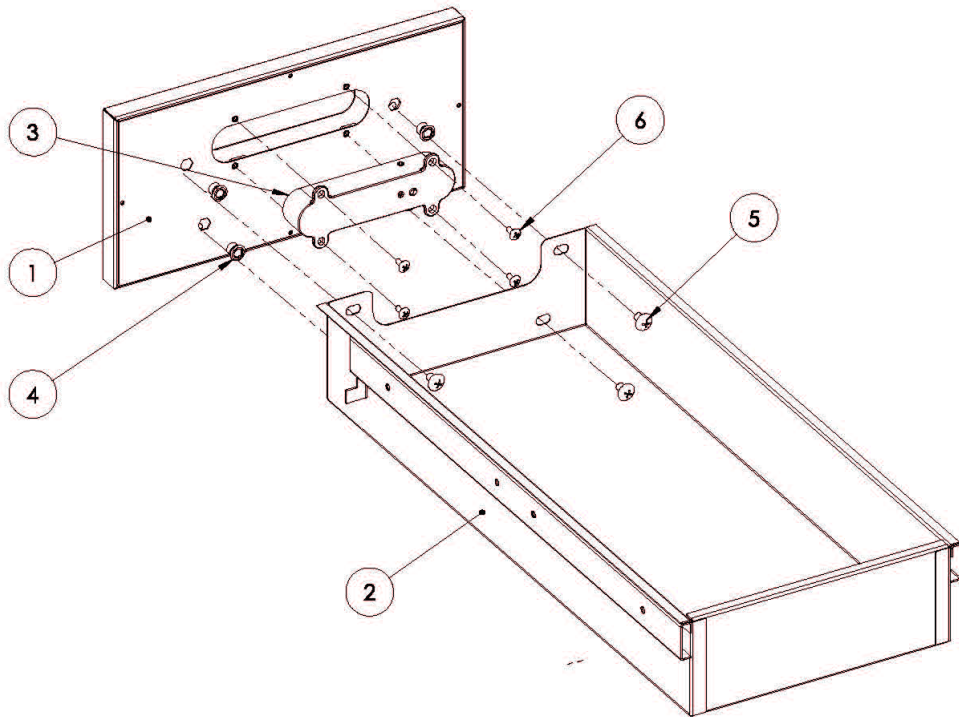


LTA30-4 Small Drawer

Click on any circled item, then add the part to your cart. If it won't click, the part is not available. If the part is not available, please call us at: 888.988.4546



| Item | Part No. | Name | Qty | Uom | NOTES |
|------|----------|--|-----|-----|-------|
| 1 | 70413 | DRAWER, FACE, SM, 30, WLDMT | 1 | EA | |
| 2 | 70414 | DRAWER, BODY, SM, 30, WLDMT | 1 | EA | |
| 3 | 81019 | HANDLE, FLUSH, ASSY | 1 | EA | |
| 4 | 32769 | NUT, 1/4-20, INSERT, STEEL, ZINC | 4 | EA | |
| 5 | 14012 | SCREW, I/ 4-20 X 3/8 PH TRUSS HD, SIS | 4 | EA | |
| 6 | 14014 | SCREW #8-32 x 3/8 PH TRUSS HEAD S/S | 4 | EA | |