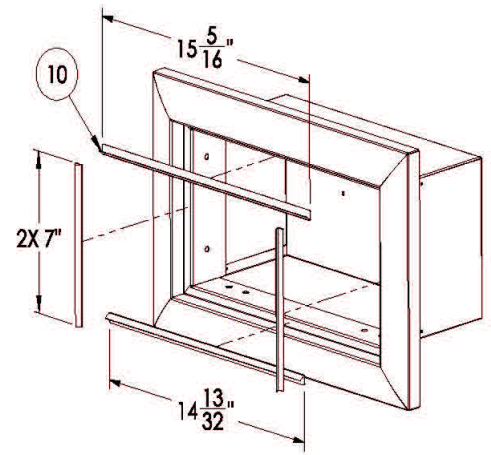
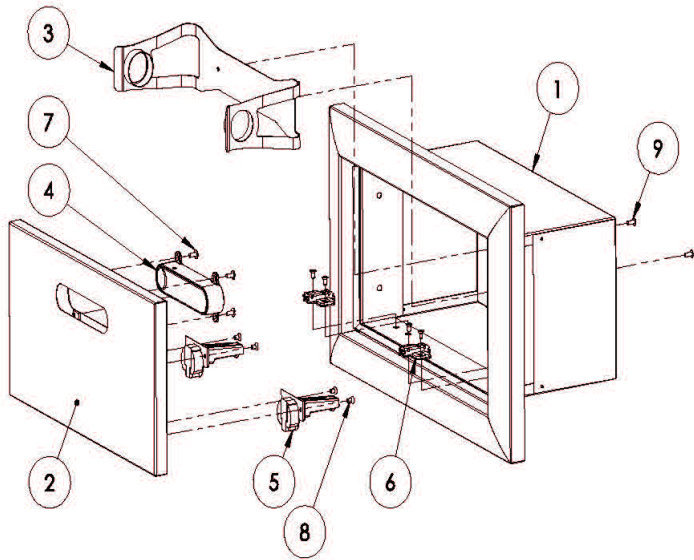


LTWL Breakdown

Click on any circled item, then add the part to your cart. If it won't click, the part is not available. If the part is not available, please call us at: 888.988.4546



| Item | Part No. | Name | Qty | Uom | NOTES |
|------|----------|--|-------|-----|-------|
| 1 | 70412 | CHASSIS, LTWL, WLDMT | 1 | EA | |
| 2 | 70440 | DOOR, TWL HOLDER, WLDMT | 1 | EA | |
| 3 | 70450 | BRKT, TOWEL HOLDER, WLDMT | 1 | EA | |
| 4 | 81019 | HANDLE, FLUSH, ASSY | 1 | EA | |
| 5 | 35624 | HINGE, SOFT CLOSE | 2 | EA | |
| 6 | 35792 | MOUNTING PLATE, HINGE, SOFT CLOSE | 2 | EA | |
| 7 | 14014 | SCREW #8-32 x 3/8 PH TRUSS HEAD S/S | 4 | EA | |
| 8 | 32644 | SCREW, #8-32 X 5/16 PH, FLAT HD | 8 | EA | |
| 9 | 30292 | RIVET, 5/32 x 3/8, BLIND, SS | 2 | EA | |
| 10 | 35749 | SEAL, SILICONE, GASKETING | 3.6FT | EA | |