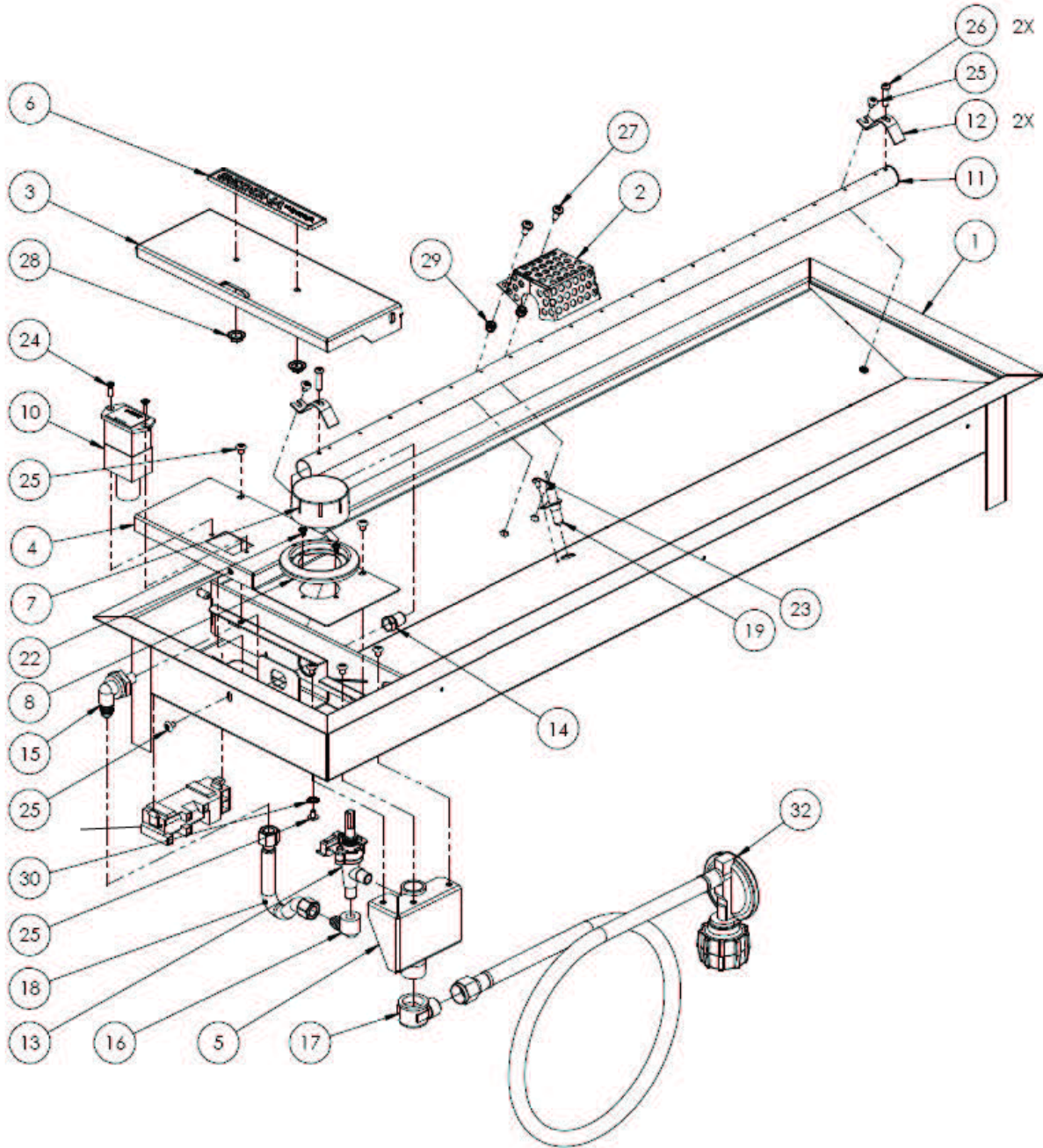


RTFF Burner Asm

Click on any circled item, then add the part to your cart. If it won't click, the part is not available. If the part is not available, please call us at: 888.988.4546



Item	Part No.	Name	Qty	Uom	NOTES
1	70478	PAN, ASSEMBLY, WLDMT	1	EA	
2	35919	COVER, IGNITER, FIREPIT	1	EA	
3	35788	COVER, CONTROL	1	EA	
4	70482	FACEPLATE, CONTROL, WLDMT	1	EA	
5	70479	MANIFOLD WLDMT	1	EA	
6	34106	LOGO, SEDONA SMALL	1	EA	
7	31773	KNOB, BURNER	1	EA	
8	10001	BEZEL	1	EA	
9	31162	IGNITION MODULE - 2 SPARK	1	EA	
10	35925	BATTERY HOLDER, MOD	1	EA	
11	35867	BURNER, RTF FIREPIT	1	EA	
12	35918	BRKT, FASTENER, BURNER TUBE	2	EA	
13	34103	MAIN BURNER VALVE W/MICROSWITCH	1	EA	
14	13013	ORIFICE BURNER NG (#41 SHORT>	1	EA	
15	31795	IR BRASS ELBOW, 7/16-20 MALE THREAD	1	EA	
16	34038	FITTING, ELBOW, VALVE TO TUBING	1	EA	
17	13054	ELBOW, 3/8" FLARE TO 1/2" FIP-LP ONLY	1	EA	
18	32836	FLEX TUBE, S/S, 3/8" X 9"	1	EA	
19	35923	ELECTRODE, PRE BURNER, 30" MOD	1	EA	
NI	31227	WIRE, GROUND, 11"	1	EA	
NI	35924	WIRE, VALVE TO MODULE, IGNITER	1	EA	
22	32816	SCREW, #6-32 X 3/16, PHP, SS	2	EA	
23	34035	BEZEL SCREW, #6-32 x 1/8 PH PAN	1	EA	
24	30751	SCREW #6-32 X 1/2 PH FLAT HEAD	2	EA	
25	32389	SCREW, #8-32 X 1/4, THP, SS	9	EA	
26	33507	Screw, #8-32 X 3/4, PHP, SS	2	EA	
27	33706	SCREW, #10-32 X 3/8, PHP, SS	2	EA	

Item	Part No.	Name	Qty	Uom	NOTES
28	14023	NUT, COMBINATION (FDR HEAT SHIELD)	2	EA	
29	32768	NUT, #10-32, INSERT, STEEL, ZINC	2	EA	
30	31059	WASHER, #10, ESL	1	EA	
NI	35149	CABLE TIE, HI-TEMP, 4"	AR	EA	
32	13026	LP REGULATOR W/36" HOSE	1	EA	