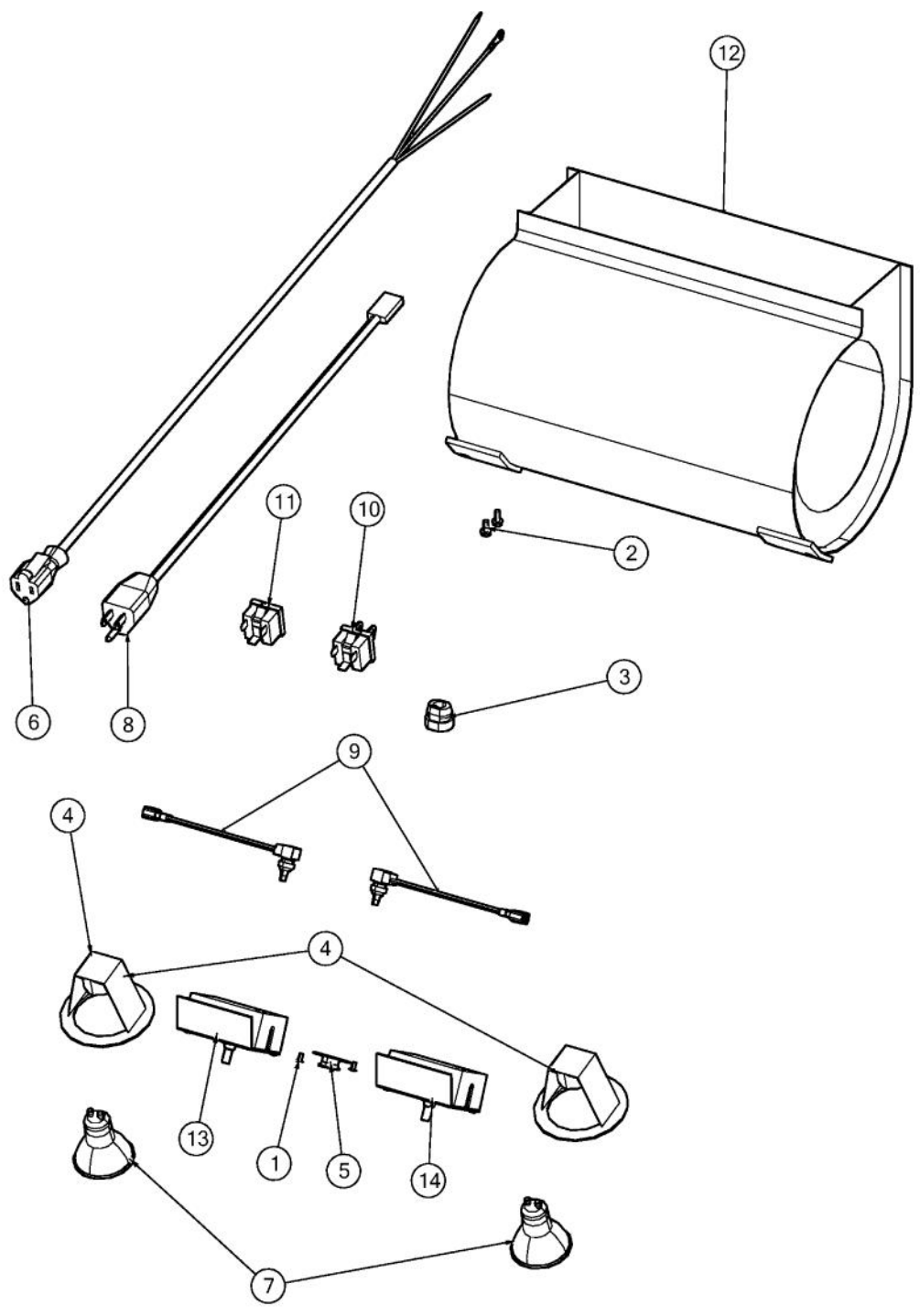
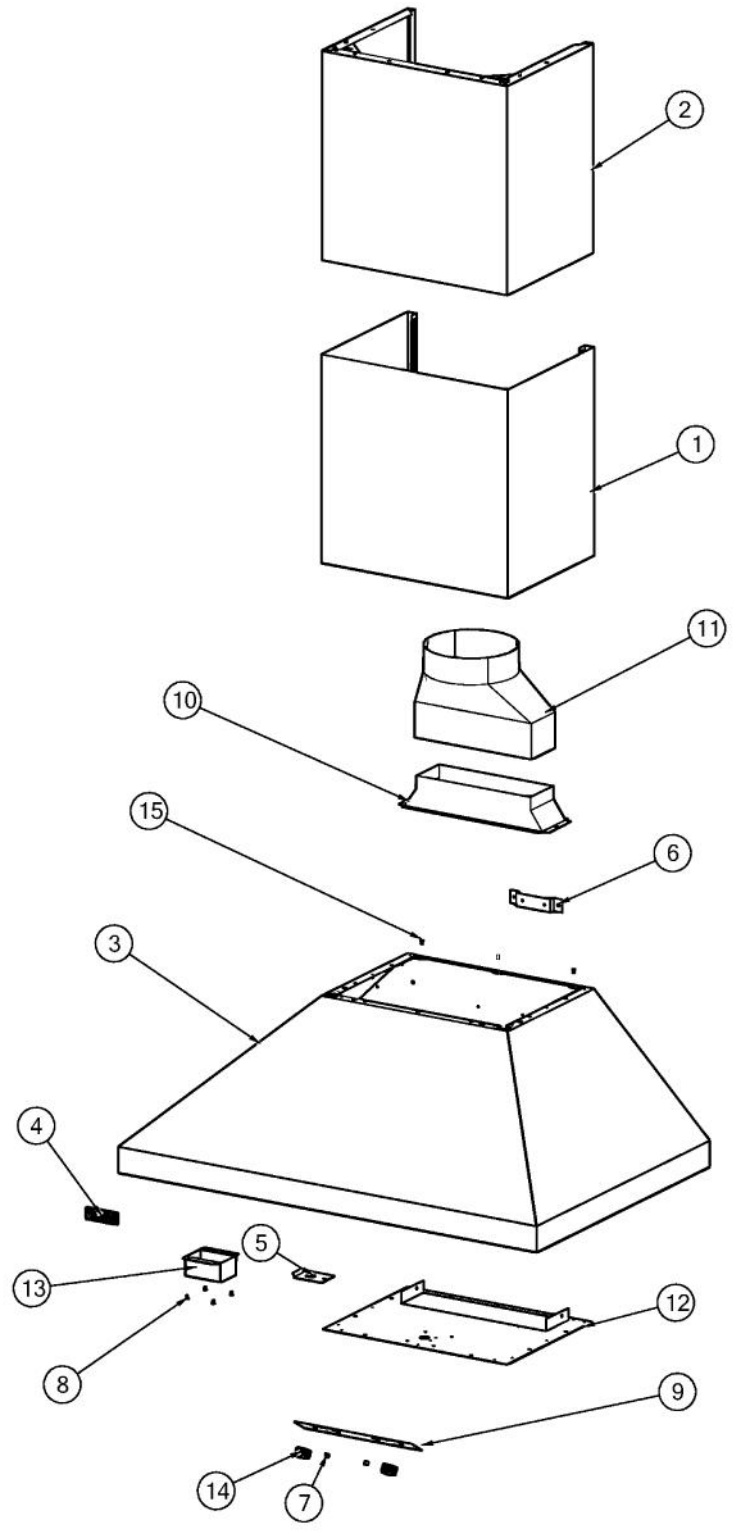


Ref #	Part Number	Qty.	Description
1	002554-000	1	DESIGNER FILTER SPACER 1.75 X 11.402 (DTWS36/DTWN4...
2	016350-000	1	DCWH 36 REAR FILTER SUPPORT ANGLE
3	A2103810	1	THERMODISC BRACKET
4	B20010260	1	CONTROL PANEL (DCH3642)
5	B2004665	1	36 I/S REAR PANEL
6	B2007324	1	I/S SIDE PANEL - LH
7	G31010268	2	FILTER ASSEMBLY (DESIGNER) 13.848 X 10.375
8	PD010035	2	BLOWER MTG ROD NO.10-24 99420464
9	PD020032	29	SRW-8(A)X3/8PH.WFR HD 7/16DIAXNICL
10	PD030010	2	NO.10-24 KEPS NUT
11	B2007323	1	I/S SIDE PANEL - RH
12	B2004675	1	36 FRONT I/S PANEL
13	B20010270	1	LT/FAN SWITCH BRKT (DCH30/36)



Ref #	Part Number	Qty.	Description
1	PC040010	2	POP RIVET
2	PD020010	2	10 X 3/8 GREEN GROUNDING SCREW
3	PE070204	1	HEYCO STRAIN RELIEF - 7-P2
4	PE050064	2	LIGHT ASSEMBLY
5	PJ030014	1	HEAT SENSOR (N.O.) 160 DEG.
6	039680-000	1	CORD, PWR, SUPPLY, VNT HD
7	PE050081	2	50 WATT HALOGEN BULB
8	PE070542	1	3-PRONG MALE CORD W/AMP CON
9	PE050168	2	DCH FAN/LIGHT SWITCH (DCH30/36)
10	PE070197	1	MALE SOCKET (3 PRONG)
11	PE070541	1	3-PRONG FEMALE SOCKET
12	PE050042	1	BLOWER INT 460 CFM 97007542
13	PE050169	1	BLOWER CONTROL (DCH30/36)
14	PE050170	1	LIGHT CONTROL (VIH54/66 DCH30/36 VCIH54/66)
NI	PE070556	1	DCH30/3642 WIRE KIT



Ref #	Part Number	Qty.	Description
1	G31011011SS	1	DUCT COVER BOTTOM ASSY (DCC16)
1	G31011011BK	1	COVER, DUCT, BOTTOM ASSY - BK
1	G31011011WH	1	COVER, DUCT, BOTTOM ASSY - WH
2	G31011009SS	1	DUCT COVER TOP ASSY (DCC16)
2	G31011009BK	1	COVER, DUCT, TOP, ASSY - BK
2	G31011009WH	1	COVER, DUCT, TOP, ASSY - WH
3	043105-000	1	36 CANOPY ASSEMBLY - SS
3	043106-002		36 CANOPY ASSEMBLY - BK
3	043106-006		36 CANOPY ASSEMBLY - WH
4	041991-000	1	NAMEPLATE, VIKING, 2.750
5	A2003826	1	ROUGH IN BOX COVER (VWH30/3610)
6	B2006285	1	HAT BRACKET (VWH3010/3610)
7	PA010093	2	DESIGNER OVEN LT SWITCH KNOB
8	PC040010	4	POP RIVET
9	PE040232	1	CONTROL PANEL W/ GRAPHICS (DCH30/36)
10	PE050043	1	DAMPER/TRANSITION 460 CFM 97006078
11	PM010045	1	3 1/4 X 10 RECT. TO 7 DIA(TRANS)
12	A2009374	1	HOOD TOP (DCH30/3642)
13	A2003825	1	ROUGH IN BOX (VWH30/3610)
14	PA010089	2	KNOB (DESIGNER SERIES HOOD)
15	PC040010	3	POP RIVET