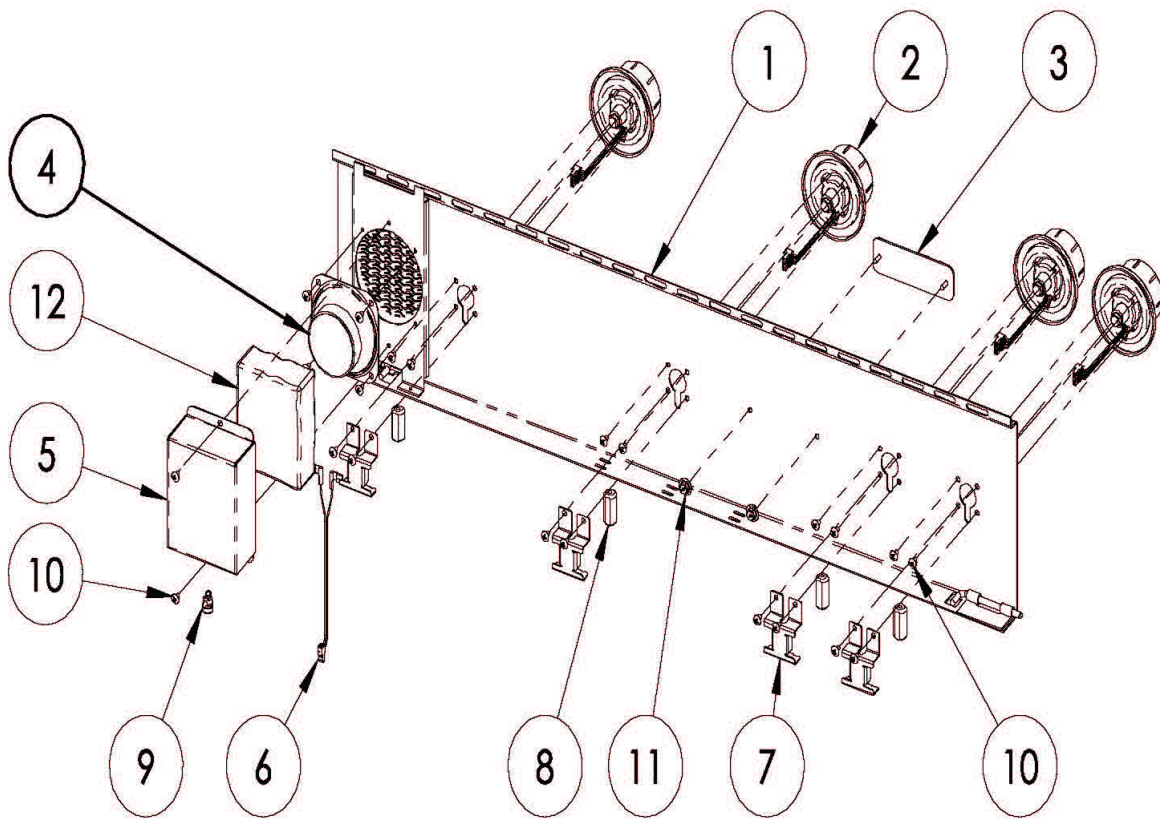


# SMART36 Control Panel Assembly

Click on any circled item, then add the part to your cart. If it won't click, the part is not available. If the part is not available, please call us at: 888.988.4546



Item	Part No.	Name	Qty	Uom	NOTES
1	70309	PANEL, CONTROL, 36" , WLDMT	1	EA	
2	80925	KNOB, ILLUMINATED, SG, ASSY	4	EA	
3	L11074	LYNX LOGO	1	EA	
4	35062	SPEAKER, 3.3", 8ohm	1	EA	
5	35367	COVER, SPEAKER	1	EA	
6	35262	HARNES, WIRE, SPEAKER PERIPHERAL	1	EA	
7	35365	MTG BRACKET, FERRITE, SG	4	EA	
8	35349	FERRITE, CLAMP ON,, .138" I.D.	4	EA	
9	35390	CORD GRIP, SNAP-IN, .13-.19 CABLE	1	EA	
10	34035	BEZEL SCREW, #6-32 x 1/8 PH PAN	22	EA	
11	31062	NUT, 1/8, SPEED, STEEL, SELF THREADING	2	EA	
12	20021	INSULATION (27" X 6")	1	EA	