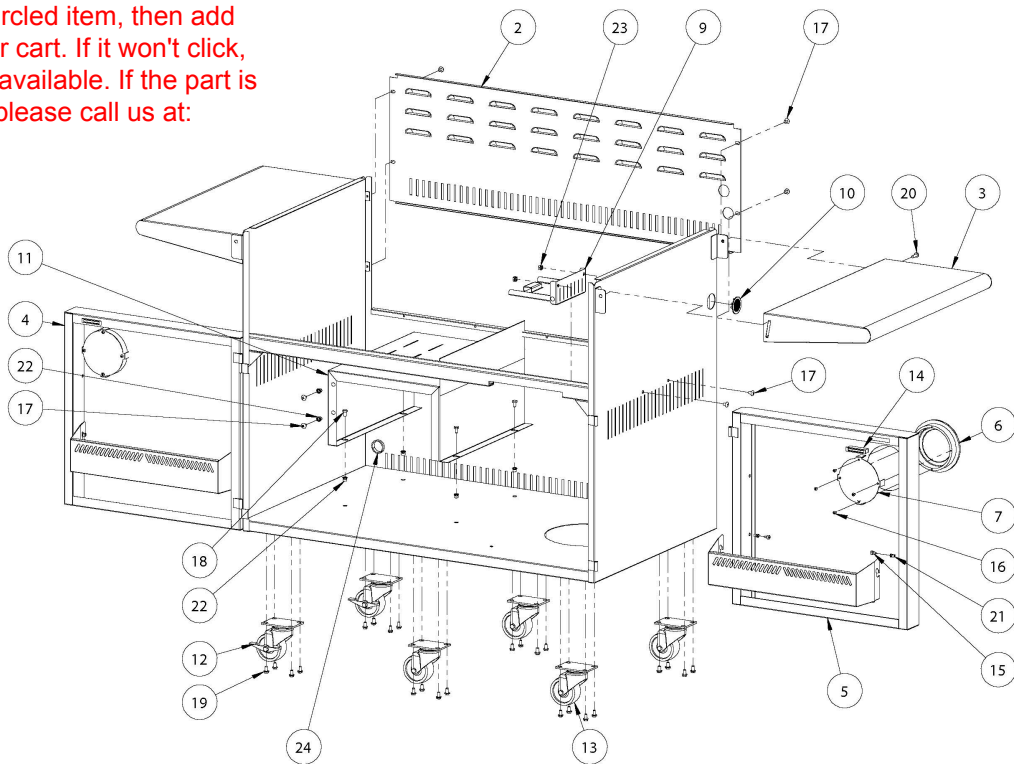


SMART42F Cart

Click on any circled item, then add the part to your cart. If it won't click, the part is not available. If the part is not available, please call us at: 888.988.4546



Item	Part No.	Name	Qty	Uom	NOTES
NI	70314	CABINET, 42" SG, WLDMT	1	EA	
2	35402	Rear Access Panel, 42	1	EA	
3	32164	Side Shelf, 30/42/54	2	EA	
4	70325	DOOR, LH, CABINET 42, WLDMT	1	EA	
5	70324	DOOR, RH, CABINET 42, WLDMT	1	EA	
6	34951	HANDLE, DOOR, ROUND	2	EA	
7	35109	PLATE, ROUND, HANDLE	2	EA	
NI	31756	BOTTLE HOLDER 42	2	EA	
9	70110	TANK BRACKET ASSY	1	EA	
10	30003	CB ACCESS PLUG	1	EA	
11	70356	SHELF, INTERNAL, 36-42, WLDMT	1	EA	
12	20024	Caster, 3" w/Brake	2	EA	
13	20047	Caster, 3" w/o Brake	4	EA	
14	31132	MAGNET, SINGLE, SNAP IN .38"	2	EA	
15	32222	SCREW, SHLDR, #10-32 X 1/4, SLTD, SS, 1/4 DIA X 1/8	4	EA	
16	33517	SCREW, #8-32 X 3/16, PHP, SS	8	EA	
17	14012	SCREW, 1/4-20 X 3/8 PH TRUSS HD, SIS	8	EA	
18	14030	SCREW, 1/4-20 X 1/2, HHD, SS	4	EA	
19	30223	SCREW, 1/4-20 X 1/2, HWH, STEEL, SINC, SERRATED	24	EA	
20	32202	SCREW, 1/4-20 x 3/4	2	EA	
21	32768	NUT, #10-32, INSERT, STEEL, ZINC	4	EA	
22	32769	NUT, 1/4-20, INSERT, STEEL, ZINC	6	EA	
23	31876	NUT, 1/4-20, LKN, STEEL, W/ESL	2	EA	
24	31205	Grommet, Plastic, 1" ID x 1-3/8" OD	1	EA	