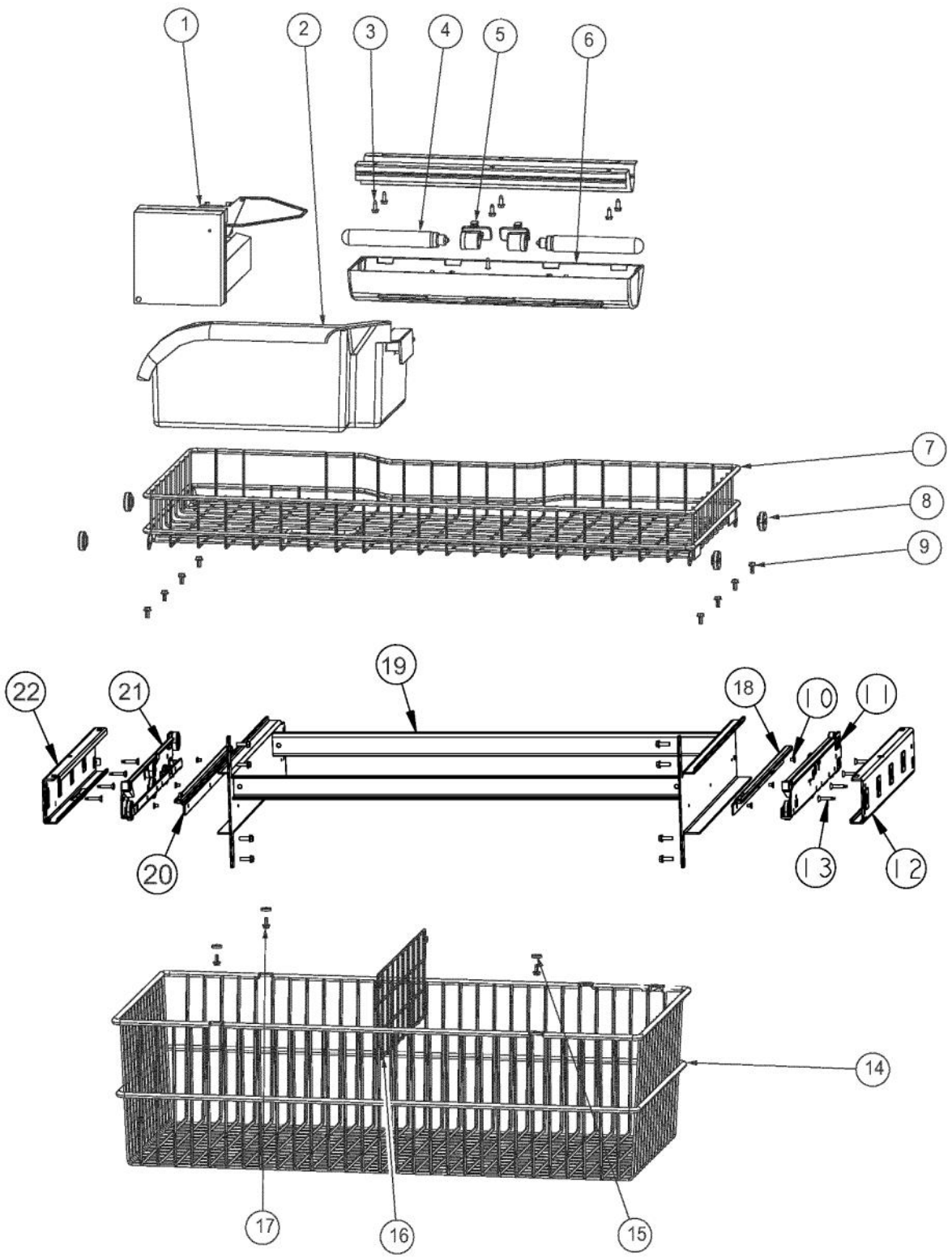
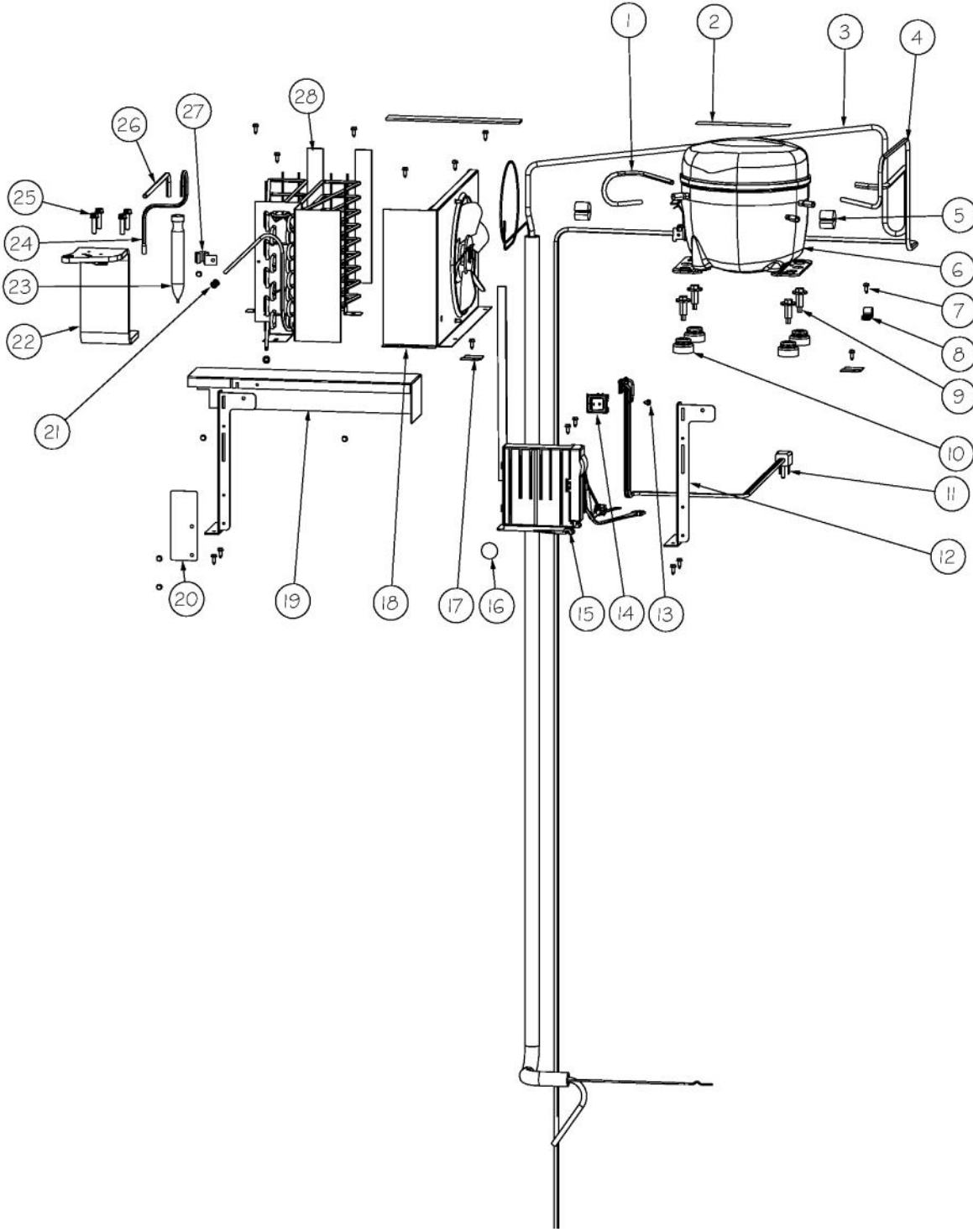


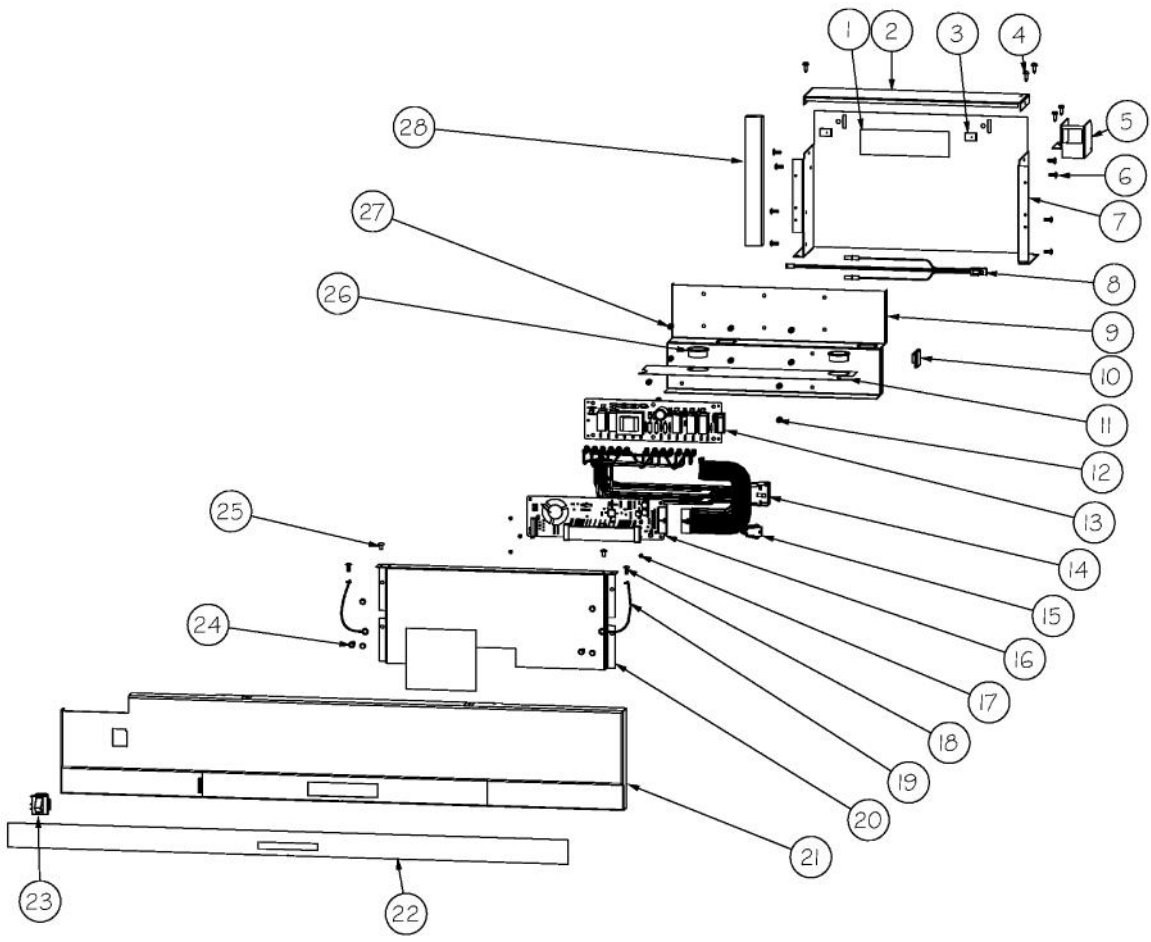
Ref #	Part Number	Qty.	Description
1	L20910705	1	BRACKET LIGHT AR 36
2	PE950125	4	LIGHT SOCKET
3	004528-000	4	LAMP, 40 WATT BLUE LIGHT
4	PD020194	12	SCREW-SM
5	PK930267	1	COVER LIGHT ASM AF AR BM 36
6	000732-000	1	FRESH FOOD FAN - 1.2 W
7	K2096475	1	PLATE-FAN MNT 12404701
8	M0221913	2	SCREW-SM
9	PD020195	3	SCR 8-18 X 5/8
10	12070201	1	CAP-R FAN COVER V12070201
11	M0238535	12	SCREW-SM
12	PM910351	4	SHELF ASM GLASS BM 36 FF
13	PK020074	2	LADDER SIDE BTM 36
14	12071501	1	LADDER-CTR CANT V12071501
15	G50911908	1	SHELF & SLIDE ASM AR 36
16	012396-000	2	DRAWER,PRODUCE,ASM AR 36
17	PK930388	1	DUCT, MEATSAVOR REAR BM 36
18	M0211021	11	SCREW-SM
19	PK930286	1	SHELF MEATSAVOR AR/BM 36
20	PK930175	1	SUPPORT DRAWER MEAT SAVOR SXS 42/48 R
21	M0581001	16	GROMMET-SCREW
22	PK930283	1	DUCT MEATSAVOR SPACER
23	PK930172	1	COVER CONTROL MEAT SAVOR
24	PK930168	1	DIAL CONTROL MEAT SAVOR
25	PM910334	1	ROLLER TENSION
26	PK930169	1	DUCT MEAT SAVOR SXS 42/48 R
27	M0224128	1	SCREW-SM
28	PK930173	1	SUPPORT SLIDE MEAT SAVOR SXS 42/48 R
29	PD920162	6	SCR 8-16 PLASTITE PNP 1/4 S
30	PM910287	1	SLIDE MEAT SAVOR R
31	PK930278	1	DRAWER MEAT SAVOR AR BM 36
32	PM910288	1	SLIDE MEAT SAVOR L
33	PK930174	1	SUPPORT SLIDE MEAT SAVOR SXS 42/48 L
34	PK930284	1	DUCT MEATSAVOR LEFT
35	PK930176	1	SUPPORT DRAWER MEAT SAVOR 42/48 L
36	009916-000	1	MEAT SAVOR LID/DOOR AR/BM36
37	12070202	1	CAP-L FAN COVER V12070202
38	12067401	1	FAN COVER
39	PD020188	2	SCR 8-18 BT HXWS 1 1/2



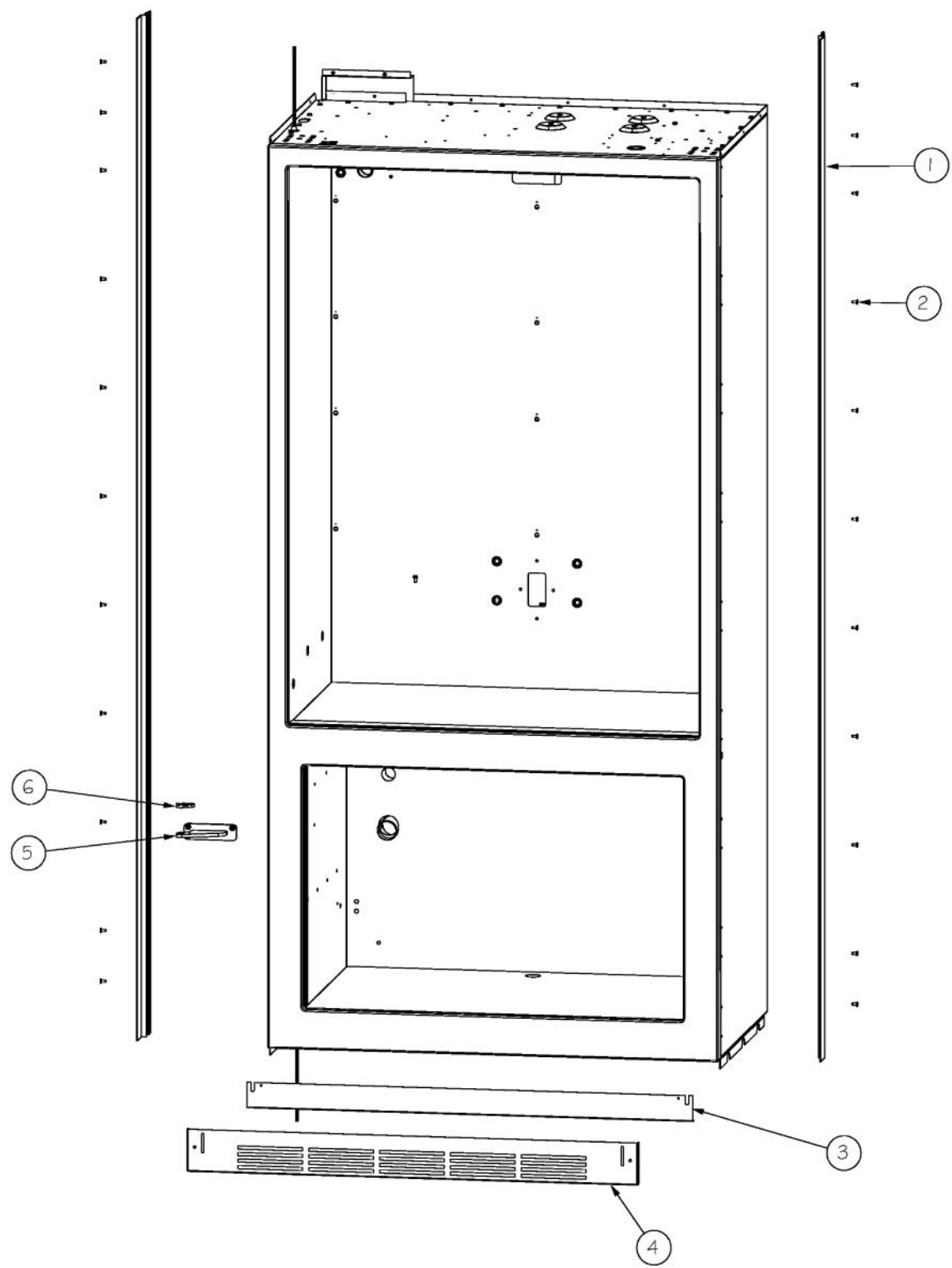
Ref #	Part Number	Qty.	Description
1	G50911850	1	ICE MAKER ASSY, BM
2	PK930056	1	PAN ICE
3	PD020194	6	SCREW-SM
4	004528-000	2	LAMP, 40 WATT BLUE LIGHT
5	PE950125	2	LIGHT SOCKET
6	12074501	1	COVER-FZ LIGHT
7	PM010630	1	TOP BASKET
8	12088001	3	ROLLER-UP BSKT V12088001
9	PD920125	5	SCREW NO.8X3/8 HX HD TYPE B SCREW
10	001091-000	6	NO.8-32X1/4 FLAT PHIL HD TAPTITE
11	PC080029	1	MIDDLE MEMBER, SLIDE BM 36 (RH)
12	PC080028	1	OUTER MEMBER, SLIDE BM 36 (RH)
13	PD920174	1	10-32 TORX HEAD SCREW
14	PM910172	1	BASKET BOTTOM 36 BM FZ
15	M0274067	4	WASHER-NYLON
16	003995-000	1	DIVIDER, BOT BASKET
17	M0253916	4	SCREW-TF
18	PC080030	1	INNER MEMBER, SLIDE BM 36 (RH)
19	PM010622	1	FRAME BASKET ASM 36 BM
20	PC080027	1	INNER MEMBER, SLIDE BM 36 (LH)
21	PC080026	1	MIDDLE MEMBER, SLIDE BM 36 (LH)
22	PC080025	1	OUTER MEMBER, SLIDE BM 36 (LH)



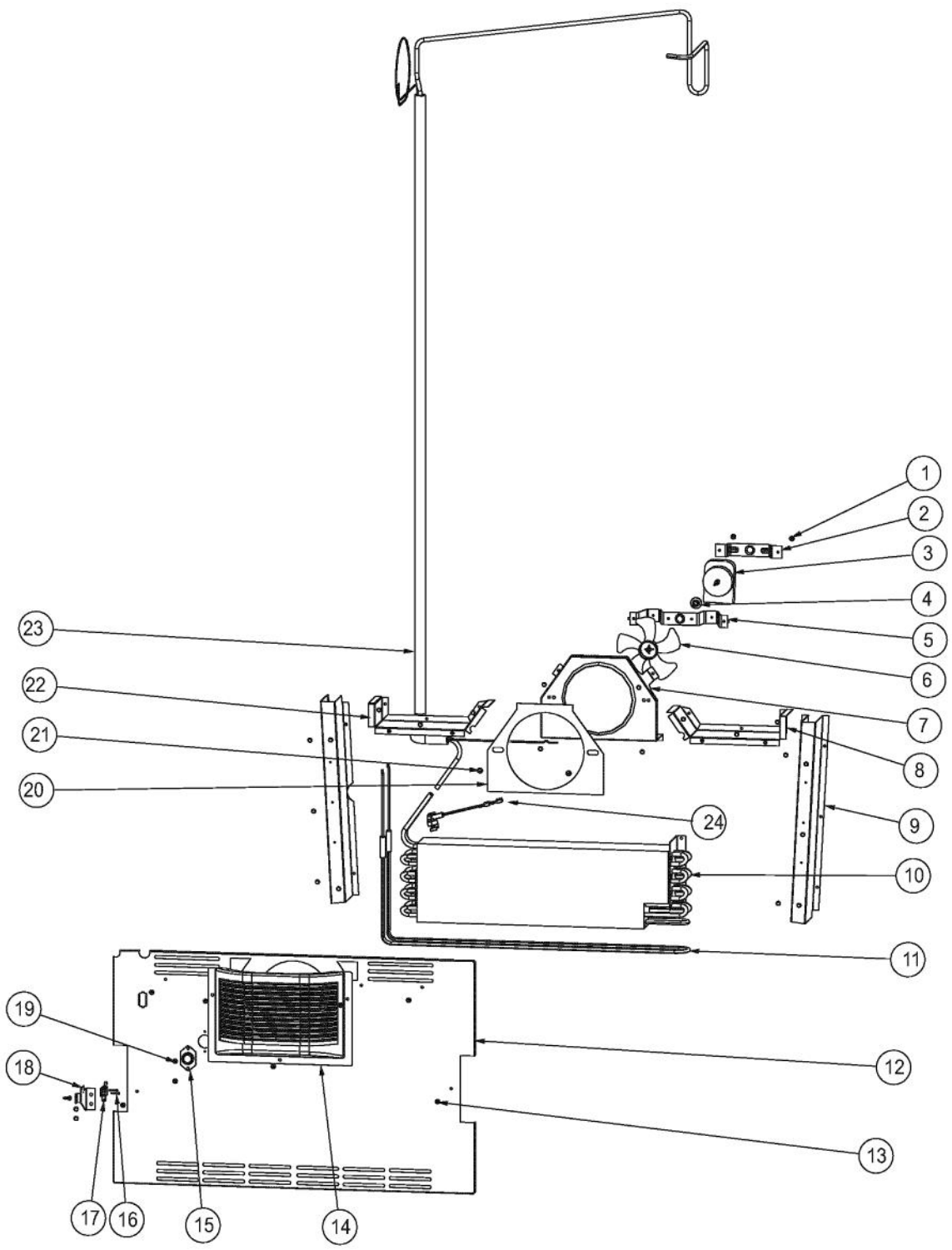
Ref #	Part Number	Qty.	Description
1	F2096507	1	TUBE-PROCESS GRN
2	C8982701	1	LABEL-COMP WARN
3	PB920154	1	HEAT EXCHANGER ASM BM 36
4	F296517	1	DISCHARGE TUBE 12414401
5	10699601	2	DAMPER-TUBING .8
6	PM010619	1	COMPRESSOR VCC
7	PD020194	20	SCREW-SM
8	PD030118	1	SCREW - SHLDR
9	M0221523	4	SCREW - SHLDR
10	10835901	4	GROMMET RUBBER V10835901
11	10916507	1	TUBE-PROCESS GRN
12	K20912569	2	BRACKET GRILLE SUPPORT
13	M0211014	1	SCREW-SM
14	PE950149	1	SWITCH POWER
15	002574-000	1	INVERTER COMPRESSOR
16	PF930682	1	LABEL WARNING INVERTER
17	K2096943	2	PANEL BRACKET
18	G5096494	1	COND. FAN ASSY
19	K20912361	1	DIVERTER AIR HI SIDE 36
20	000975-000	1	SUPPORT, FAN SWITCH
21	007407-000	2	RING,LOK, .187 DIA
22	G50914180	1	TOP HINGE ASM L 36 BM
22	G50914173	1	TOP HINGE ASM R 36 BM
23	030926-000	1	DRIER - HIGH SIDE
24	003325-000	1	TUBE DRIER COND.
25	000570-000	4	HEX SCREW
26	F2097740	1	TUBE PROCESS
27	10547001	1	CLIP-DRIER V10547001
28	A3189370	3	GASKET-FOAM VA3189370



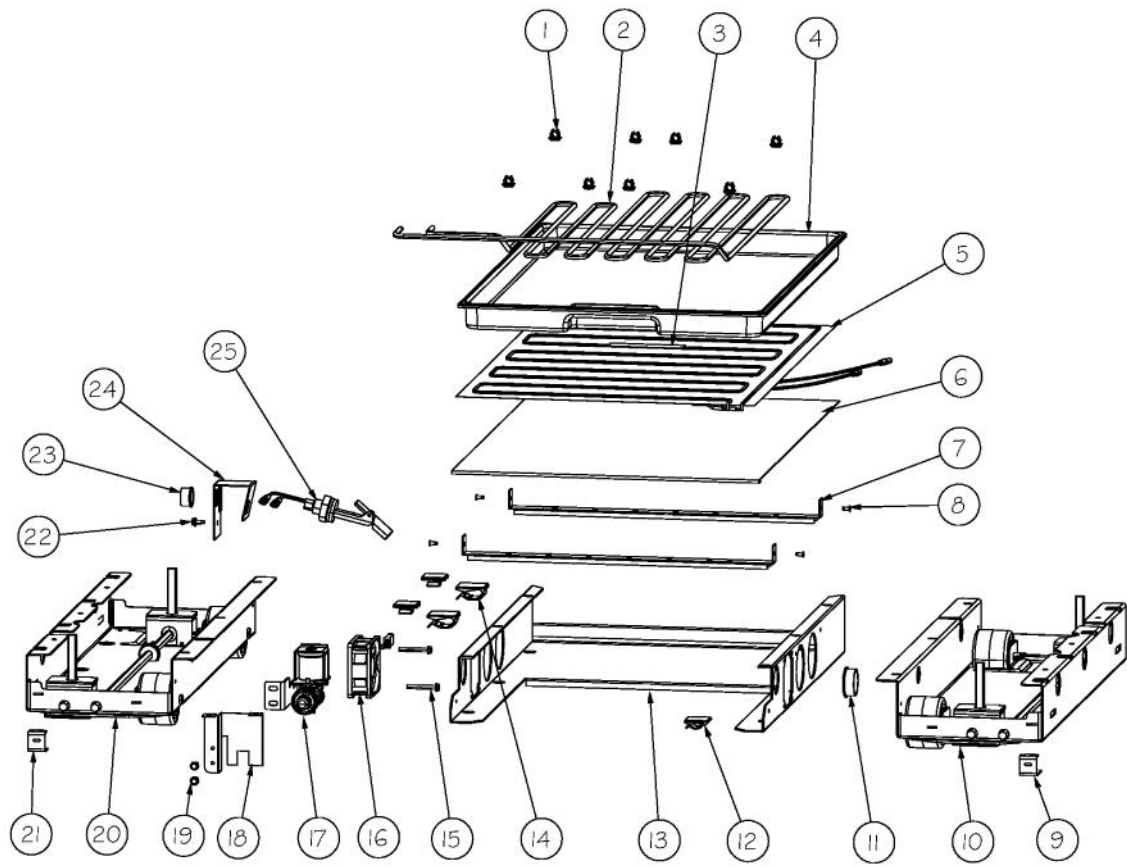
Ref #	Part Number	Qty.	Description
1	PF930487	1	TECH LITERATURE LABEL - 2
2	K20915000	1	CONTROL BOX TOP
3	M0288120	1	NUT-SPEED, VM0288120
4	PD020194	7	SCREW-SM
5	K2098654	1	BRACKET SWITCH POWER
6	PC040010	8	POP RIVET
7	K2099402	1	CONTROL BOX
8	PE970609	1	HARNESS CONTROL BOARD
9	K20910060	1	BRACKET - PC
10	M0104106	1	CLIP-CORD VM0104106
11	005396-000	1	FILM,PROTECTIVE
12	M0585506	4	SUPPORT
13	005319-000	1	POWER CONTROL BOARD ASM
14	PE070785	1	HARNESS HIGH VOLT
15	PE970464	1	HARNESS LOW VOLT
16	PE070728	1	BOARD LOW VOLTAGE
17	PD020013	5	TYPE AB NO.6 X 3/8 PH PAN HD. SMS
18	PC040010	2	POP RIVET
19	12064001	2	SUPP-CONT PANEL
20	K20910061	1	CONTROL BOX FRONT
21	PK030459	1	PANEL CONTROL AR 36 L
22	010491-000	1	OVERLAY SWITCH BTM 36
23	PE950122	1	SWITCH
24	M0238846	1	SCREW-SHLDR
25	M0224128	1	SCREW-SM
26	A4554817	2	BUSHING-SNAP VA4554817
27	M0585504	6	SUPPORT
28	A3030361	1	GASKET, RED



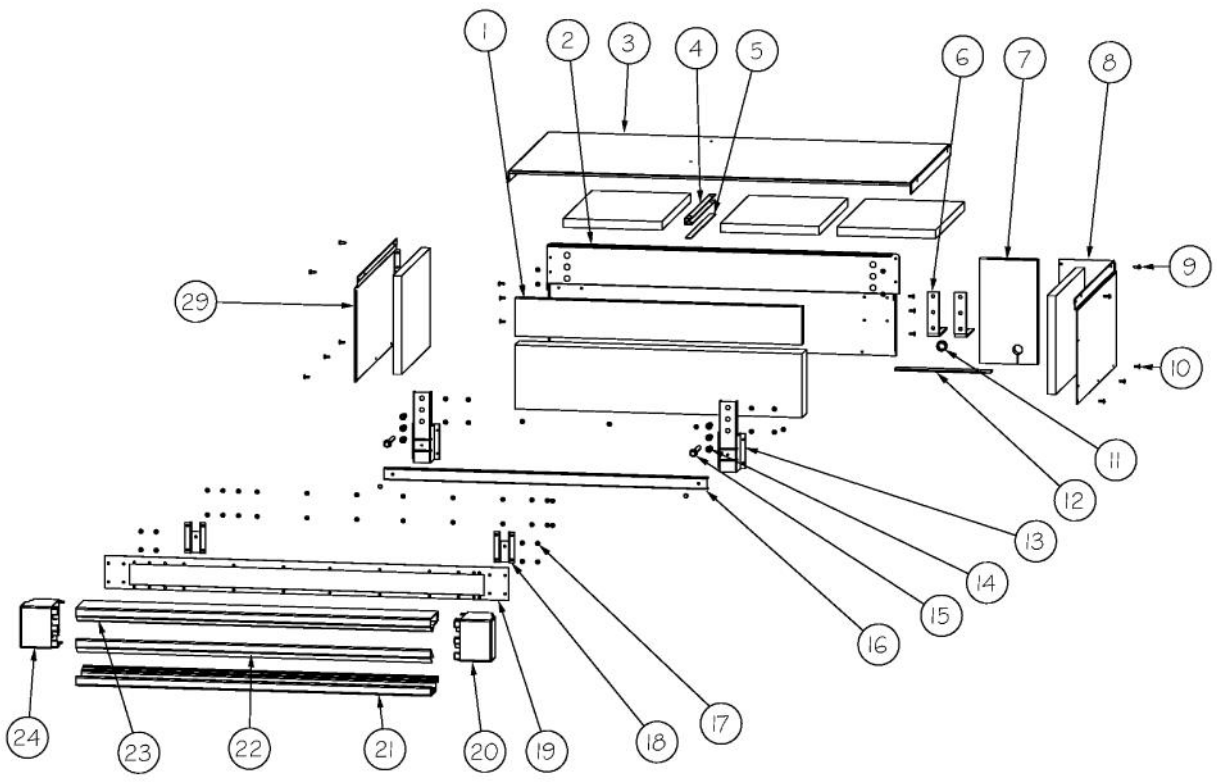
Ref #	Part Number	Qty.	Description
1	PK910123	2	SIDE TRIM - PRO
2	M0215318	22	SCREW-SM
3	000147-002	1	KICKPLATE, LWR
4	G50915600	1	GRILLE TOE ASM BM 36
5	PC020249	1	HINGE ASM, LOWER, BM, LH (PRO/DES)
5	PC920170	1	HINGE ASM LOWER BM FO RH
6	PC020228	1	CAM DOOR CLOSURE BOTTOM BLACK



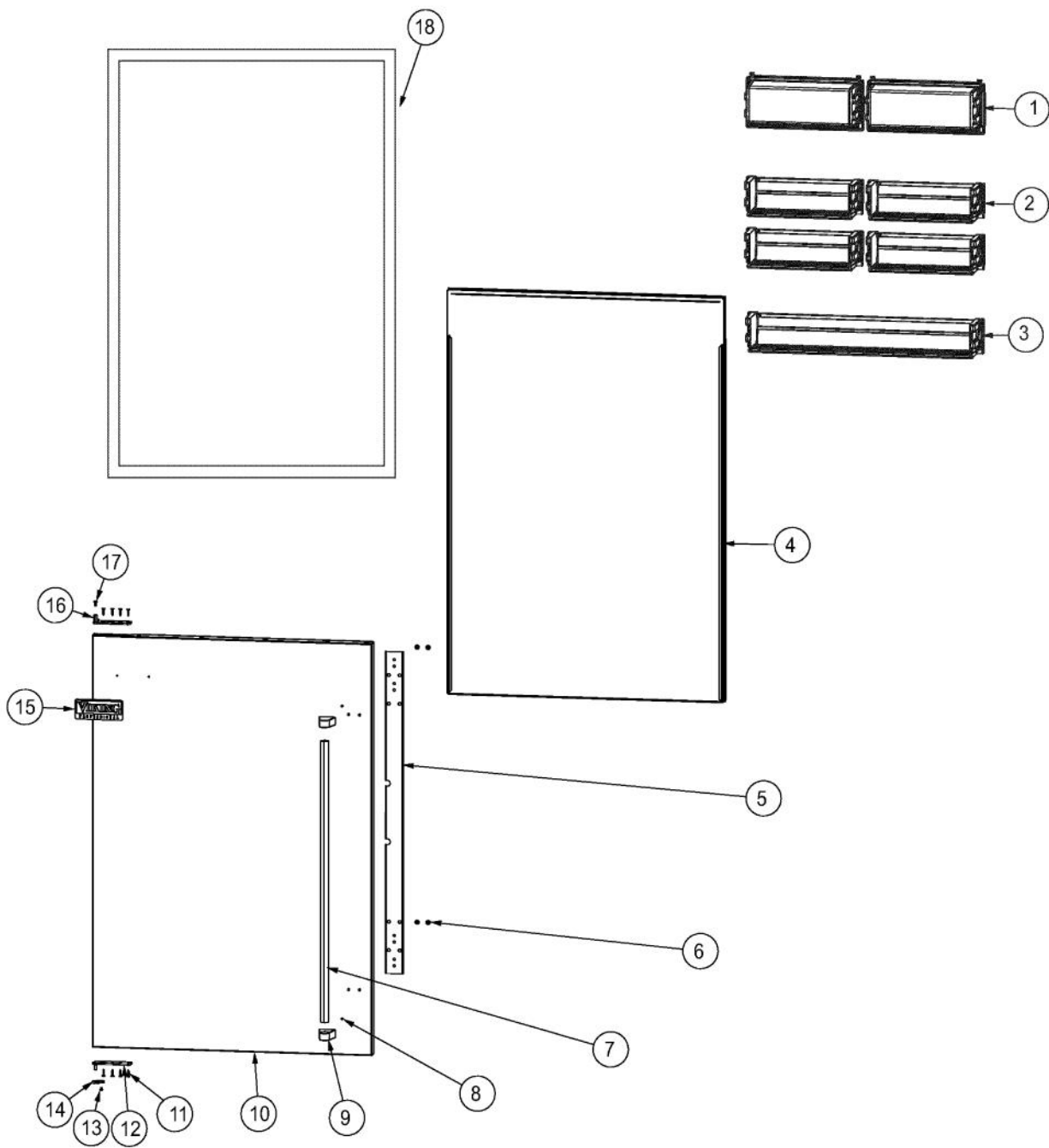
Ref #	Part Number	Qty.	Description
1	PD020193	22	SCR 8-18 X 3/8
2	L21910017	1	BRACKET FAN EVAP
3	PE950153	1	MOTOR EVAP FAN
4	A1017202	1	GROMMET-FAN VA1017202
5	10656101	1	BRKT-MTR UP STEEL V1065601Q
6	12059901	1	FAN-EVAP/5.250 V12059901
7	PM910168	1	SHROUD EVAP FAN BM
8	K2097169	1	BRKT DIVIDER R
9	K2097172	2	RETURN AIR CHANNEL
10	PM910178	1	BOTTOM MOUNT EVAP
11	PJ910030	1	BOTTOM MOUNT EVAP HEATER
12	000247-000	1	COVER, EVAP, BM
13	M0211018	7	SCREW-SM
14	12063301	1	FREEZER FAN COVER
15	C8983701	1	THERMISTOR
16	M0213105	2	SCREW-SM
17	003471-000	1	SWITCH SNAP-ACTION BM 36
18	K2098398	1	36 BM SWITCH MOUNTING BRKT
19	M0211014	2	SCREW-SM
20	12102401	1	GSKT-EVAP FAN SHRD V12102401
21	PD020038	2	SCREW-NO.10 X 3/8 HEX WH.HD.T(F)GREEN
22	K2097168	1	BRKT DIVIDER L
23	031006-000	1	HEAT EXCHANGER ASM BM 36
24	PB910259	1	THERMOSTAT DEFROST TERMINATOR



Ref #	Part Number	Qty.	Description
1	PD030146	1	STAND OFF LOCK CLIP
2	F2096549	1	SERPENTINE-DRAIN 12131801
3	PF031267	1	LABEL HEATER PAN
4	PK930348	1	PAN DRAIN
5	PE070707	1	PAN HEATER
6	L20914124WH	1	TRAY PAN HEATER
7	K20913040	2	BRACKET, CONDENSATE SUPPORT
8	10699601	4	DAMPER-TUBING .8
9	K2098044	1	BRKT GRILLE SUPPORT
10	PM910398	1	LEVELER ASSEMBLY - R
11	A4554817	1	BUSHING-SNAP VA4554817
12	M0104106	3	CLIP-CORD VM0104106
13	K20915952	1	SHIELD BOTTOM DRAIN
14	M0104102	1	CLIP-CORD RED
15	PD020274	1	SCR SLTD HEX WSHR HD 8X1.250 BT
16	004551-000	1	AXIAL FAN
17	PA970012	1	SINGLE WATER VALVE
18	K20913788	1	BRKT VALVE H2O SINGLE
19	M0220417	1	SCREW-TC
20	PM910399	1	LEVELER MODULE L
21	K2098096	1	BRKT GRILLE SUPPORT
22	M0253916	1	SCREW-TF
23	A4554806	1	BUSHING-SNAP VA4554806
24	B20915627	1	BRACKET HORIZ FLOAT SWITCH
25	PE050248	1	FLOAT SWITCH HORIZONTAL

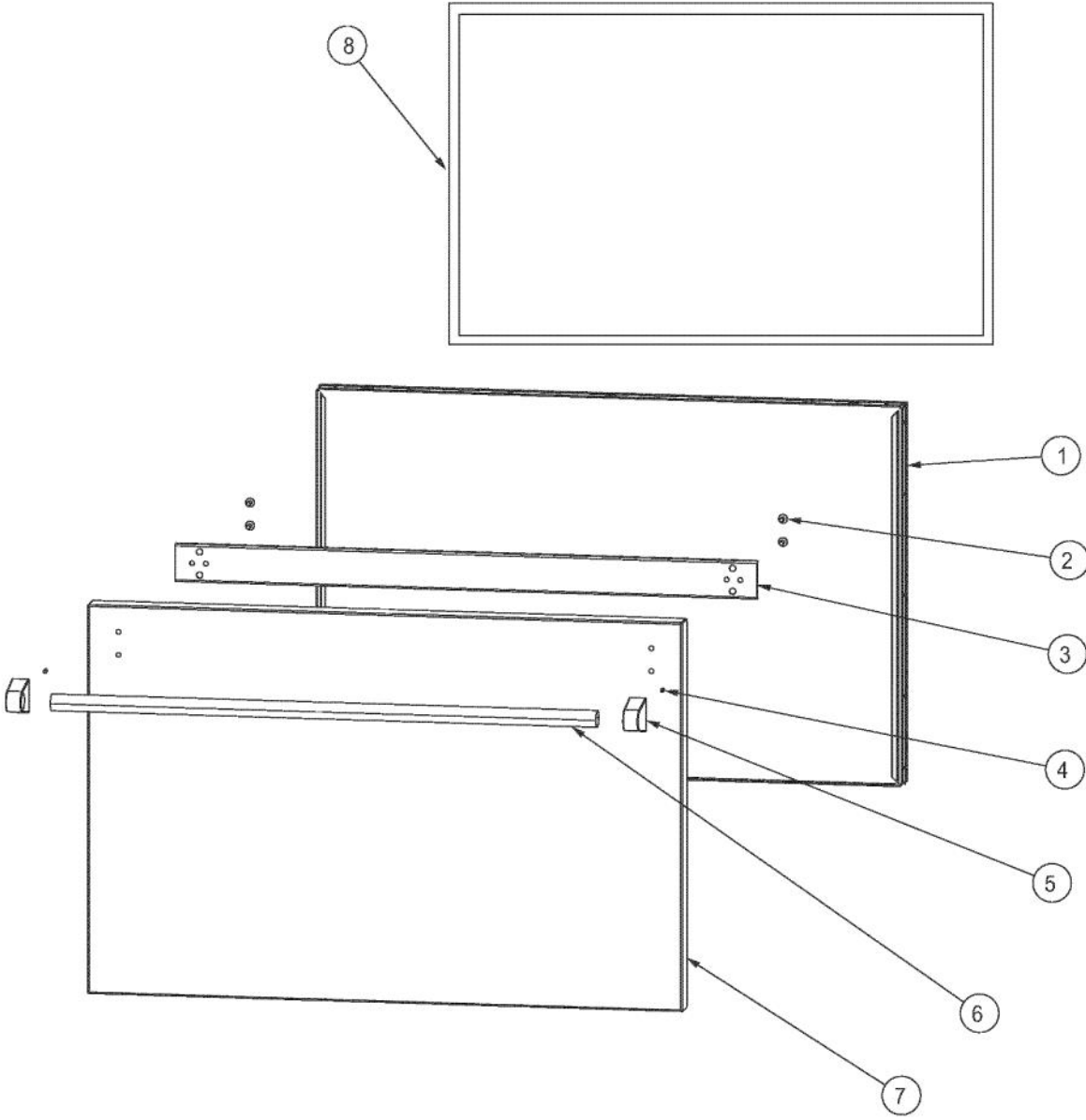


Ref #	Part Number	Qty.	Description
1	PB070358	1	INSULATION MC COVER
2	K2099933	1	MC BACK 36
3	K2099931	1	MC TOP 36
4	K2099455	1	SUPPORT MC Z
5	G5099929	1	MC COVER COMPLETE ASM
6	PK910089	2	BRACKET, ANTI - TIP
7	PB970171	1	MC INSULATION - BACK SIDE
8	K2099459	1	MC SIDE R
9	PD020194	34	SCREW-SM
10	PC040010	28	POP RIVET
11	A4554806	1	BUSHING-SNAP VA4554806
12	PF930523	2	GRILL BLADE LABEL (REFRIGERATOR)
13	K20915675	2	BRACKET PSM
14	PD040157	4	BEARING SLEEVE
15	PD020233	2	SCR LAG 5/16-9 GX 5/16X7/16 WAF IHXW 3 S ZN
16	K20915902	1	CROSSMEMBER PSM 36
17	M0253916	8	SCREW-TF
18	PK050004	2	BRACKET GRILLE
19	003257-000	1	PLATE,BACK,GRILLE
20	003260-000	1	ENDCAP,PRO,RH
21	003268-000	1	EXTRUSION,LOUVER,BOTTOM
22	003201-000	1	EXTRUSION,LOUVER,MIDDLE
23	003200-000	1	EXTRUSION,LOUVER,TOP
24	003274-000	1	ENDCAP,PRO,LH,HINGE
29	K2099460	1	MC SIDE L
NI	003258-000	1	GRILLE,ASM,36,BTM,RH
NI	003265-000	1	GRILLE,ASM,36,BTM,LH



Ref #	Part Number	Qty.	Description
1	V12097404	2	DAIRY MODULE ASM
2	G5099298	4	DOOR BIN ASM FF 36 BM AND AR HALF
3	G5099297	1	DOOR BIN ASM FF 36 BM AND AR FULL
4	PK930256	1	LINER DOOR BTM 36 FF
5	K2097525	1	BRACKET - HANDLE SUPPORT BM PRO
6	M0204303	4	SCREW-MACH
7	PE030173	1	304 S.S HANDLE 35.437
8	000270-000	2	SET SCREW
9	000268-000	2	HANDLE END CAP ASSY
10	010359-000	1	SKIN, DOOR, BM FF PRO LH SS
10	010578-002	1	SKIN, DOOR, BM 36 PRO FF LH BK
10	010578-003	1	SKIN, DOOR, BM 36 PRO FF LH BT
10	010578-004	1	SKIN, DOOR, BM 36 PRO FF LH SG
10	010578-005	1	SKIN, DOOR, BM 36 PRO FF LH GG
10	010578-006	1	SKIN, DOOR, BM 36 PRO FF LH WH
10	010578-007	1	SKIN, DOOR, BM 36 PRO FF LH AL
10	010578-008	1	SKIN, DOOR, BM 36 PRO FF LH BU
10	010578-009	1	SKIN, DOOR, BM 36 PRO FF LH LE
10	010578-010	1	SKIN, DOOR, BM 36 PRO FF LH MJ
10	010578-011	1	SKIN, DOOR, BM 36 PRO FF LH FG
10	010578-012	1	SKIN, DOOR, BM 36 PRO FF LH VB
10	010578-013	1	SKIN, DOOR, BM 36 PRO FF LH CB
10	010578-014	1	SKIN, DOOR, BM 36 PRO FF LH EP
10	010578-015	1	SKIN, DOOR, BM 36 PRO FF LH PL
10	010578-016	1	SKIN, DOOR, BM 36 PRO FF LH CH
10	010578-017	1	SKIN, DOOR, BM 36 PRO FF LH TP
10	010578-018	1	SKIN, DOOR, BM 36 PRO FF LH CW
10	010578-019	1	SKIN, DOOR, BM 36 PRO FF LH OG
10	010578-020	1	SKIN, DOOR, BM 36 PRO FF LH GM
10	010578-021	1	SKIN, DOOR, BM 36 PRO FF LH SA
10	010578-022	1	SKIN, DOOR, BM 36 PRO FF LH SE
10	010578-023	1	SKIN, DOOR, BM 36 PRO FF LH IB
10	010578-024	1	SKIN, DOOR, BM 36 PRO FF LH AR
10	010578-025	1	SKIN, DOOR, BM 36 PRO FF LH RR
10	010578-026	1	SKIN, DOOR, BM 36 PRO FF LH PM
10	010578-027	1	SKIN, DOOR, BM 36 PRO FF LH MS
NI	009129-000	1	DOOR, SKIN, ASM, BM 36 PRO FF RH SS
NI	010577-002	1	SKIN, DOOR, BM 36 PRO FF RH BK
NI	010577-003	1	SKIN, DOOR, BM 36 PRO FF RH BT
NI	010577-004	1	SKIN, DOOR, BM 36 PRO FF RH SG
NI	010577-005	1	SKIN, DOOR, BM 36 PRO FF RH GG
NI	010577-006	1	SKIN, DOOR, BM 36 PRO FF RH WH
NI	010577-007	1	SKIN, DOOR, BM 36 PRO FF RH AL
NI	010577-008	1	SKIN, DOOR, BM 36 PRO FF RH BU
NI	010577-009	1	SKIN, DOOR, BM 36 PRO FF RH LE
NI	010577-010	1	SKIN, DOOR, BM 36 PRO FF RH MJ
NI	010577-011	1	SKIN, DOOR, BM 36 PRO FF RH FG
NI	010577-012	1	SKIN, DOOR, BM 36 PRO FF RH VB
NI	010577-013	1	SKIN, DOOR, BM 36 PRO FF RH CB
NI	010577-014	1	SKIN, DOOR, BM 36 PRO FF RH EP
NI	010577-015	1	SKIN, DOOR, BM 36 PRO FF RH PL
NI	010577-016	1	SKIN, DOOR, BM 36 PRO FF RH CH
NI	010577-017	1	SKIN, DOOR, BM 36 PRO FF RH TP
NI	010577-018	1	SKIN, DOOR, BM 36 PRO FF RH CW
NI	010577-019	1	SKIN, DOOR, BM 36 PRO FF RH OG
NI	010577-020	1	SKIN, DOOR, BM 36 PRO FF RH GM
NI	010577-021	1	SKIN, DOOR, BM 36 PRO FF RH SA
NI	010577-022	1	SKIN, DOOR, BM 36 PRO FF RH SE
NI	010577-023	1	SKIN, DOOR, BM 36 PRO FF RH IB
NI	010577-024	1	SKIN, DOOR, BM 36 PRO FF RH AR

Ref #	Part Number	Qty.	Description
NI	010577-024	1	SKIN, DOOR, BM 36 PRO FF RH AR
NI	010577-025	1	SKIN, DOOR, BM 36 PRO FF RH RR
NI	010577-026	1	SKIN, DOOR, BM 36 PRO FF RH PM
NI	010577-027	1	SKIN, DOOR, BM 36 PRO FF RH MS
11	PD920174	8	10-32 TORX HEAD SCREW
12	PC020283	1	PIVOT PL ASM LH LW PRO/DES
12	PC020282	1	PIVOT PL ASM RH LW PRO/DES
13	PD020187	1	SCR 8-32 MCH HXWS 1/4 S ZN
14	PC020296	1	CAM DOOR CLOSURE TOP BLACK
15	PE010030	1	LOGO, 6, PRO, BK
16	PC020281	1	PIVOT PL ASM LH UP PRO/DES
16	042382-000	1	RH, BM 4 HOLE PIVOT PLATE KIT (MANUFACTURED BETWEEN 4/10/2006 THRU 8/10/12)
16	042381-000	1	LH, BM 4 HOLE PIVOT PLATE KIT (MANUFACTURED BETWEEN 4/10/2006 THRU 8/10/12)
16	PC020280	1	PIVOT PL ASM RH UP PRO/DES
17	PD020234	1	SCREW THP 10-32 X .500 SS BO
18	005449-000	1	GASKET, ASM, 36, FF



Ref #	Part Number	Qty.	Description
1	PK930256	1	LINER DOOR BTM 36 FF
2	M0204303	4	SCREW-MACH
3	014249-000	1	BRACKET, HDL, DES 36
4	000270-000	2	SET SCREW
5	000268-000	2	HANDLE END CAP ASSY
6	PE930094	1	VCBB36 HANDLE -SS (32.437)
7	011187-000	1	SKIN, DOOR, BM FZ PRO SS
7	008795-002	1	SKIN, DOOR, BM 36 PRO FZ BK
7	008795-003	1	SKIN, DOOR, BM 36 PRO FZ BT
7	008795-004	1	SKIN, DOOR, BM 36 PRO FZ SG
7	008795-005	1	SKIN, DOOR, BM 36 PRO FZ GG
7	008795-006	1	SKIN, DOOR, BM 36 PRO FZ WH
7	008795-007	1	SKIN, DOOR, BM 36 PRO FZ AL
7	008795-008	1	SKIN, DOOR, BM 36 PRO FZ BU
7	008795-009	1	SKIN, DOOR, BM 36 PRO FZ LE
7	008795-010	1	SKIN, DOOR, BM 36 PRO FZ MJ
7	008795-011	1	SKIN, DOOR, BM 36 PRO FZ FG
7	008795-012	1	SKIN, DOOR, BM 36 PRO FZ VB
7	008795-013	1	SKIN, DOOR, BM 36 PRO FZ CB
7	008795-014	1	SKIN, DOOR, BM 36 PRO FZ EP
7	008795-015	1	SKIN, DOOR, BM 36 PRO FZ PL
7	008795-016	1	SKIN, DOOR, BM 36 PRO FZ CH
7	008795-017	1	SKIN, DOOR, BM 36 PRO FZ TP
7	008795-018	1	SKIN, DOOR, BM 36 PRO FZ CW
7	008795-019	1	SKIN, DOOR, BM 36 PRO FZ OG
7	008795-020	1	SKIN, DOOR, BM 36 PRO FZ GM
7	008795-021	1	SKIN, DOOR, BM 36 PRO FZ SA
7	008795-022	1	SKIN, DOOR, BM 36 PRO FZ SE
7	008795-023	1	SKIN, DOOR, BM 36 PRO FZ IB
7	008795-024	1	SKIN, DOOR, BM 36 PRO FZ AR
7	008795-025	1	SKIN, DOOR, BM 36 PRO FZ RR
7	008795-026	1	SKIN, DOOR, BM 36 PRO FZ PM
7	008795-027	1	SKIN, DOOR, BM 36 PRO FZ MS
8	005450-000	1	GASKET,ASM,36,BM FZ