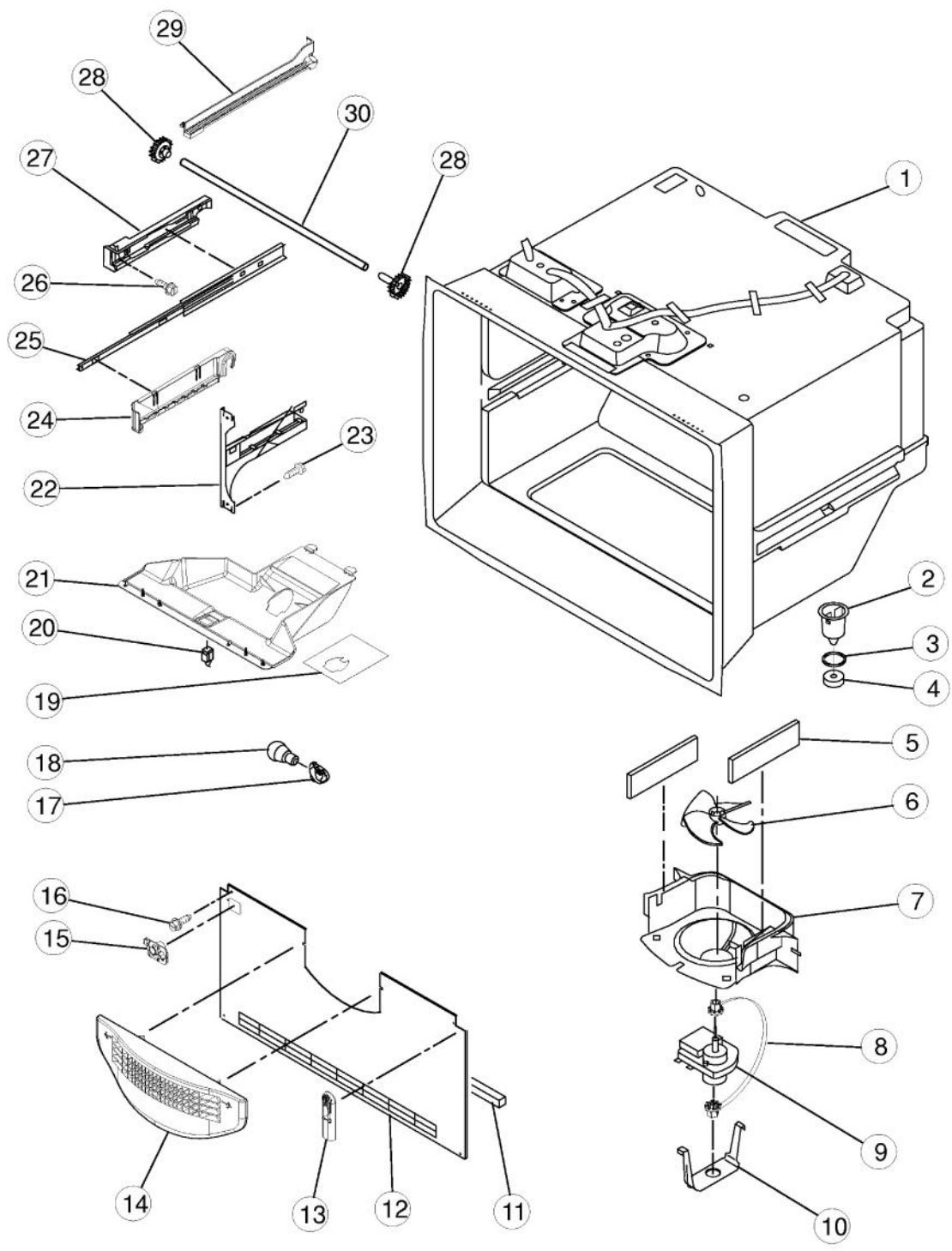
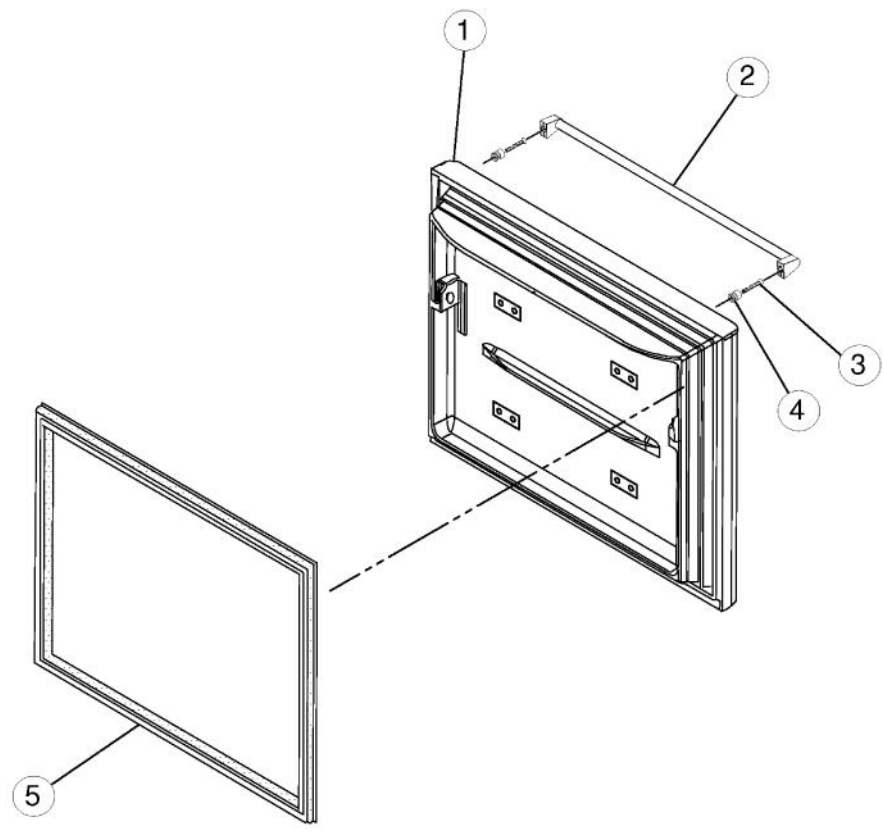


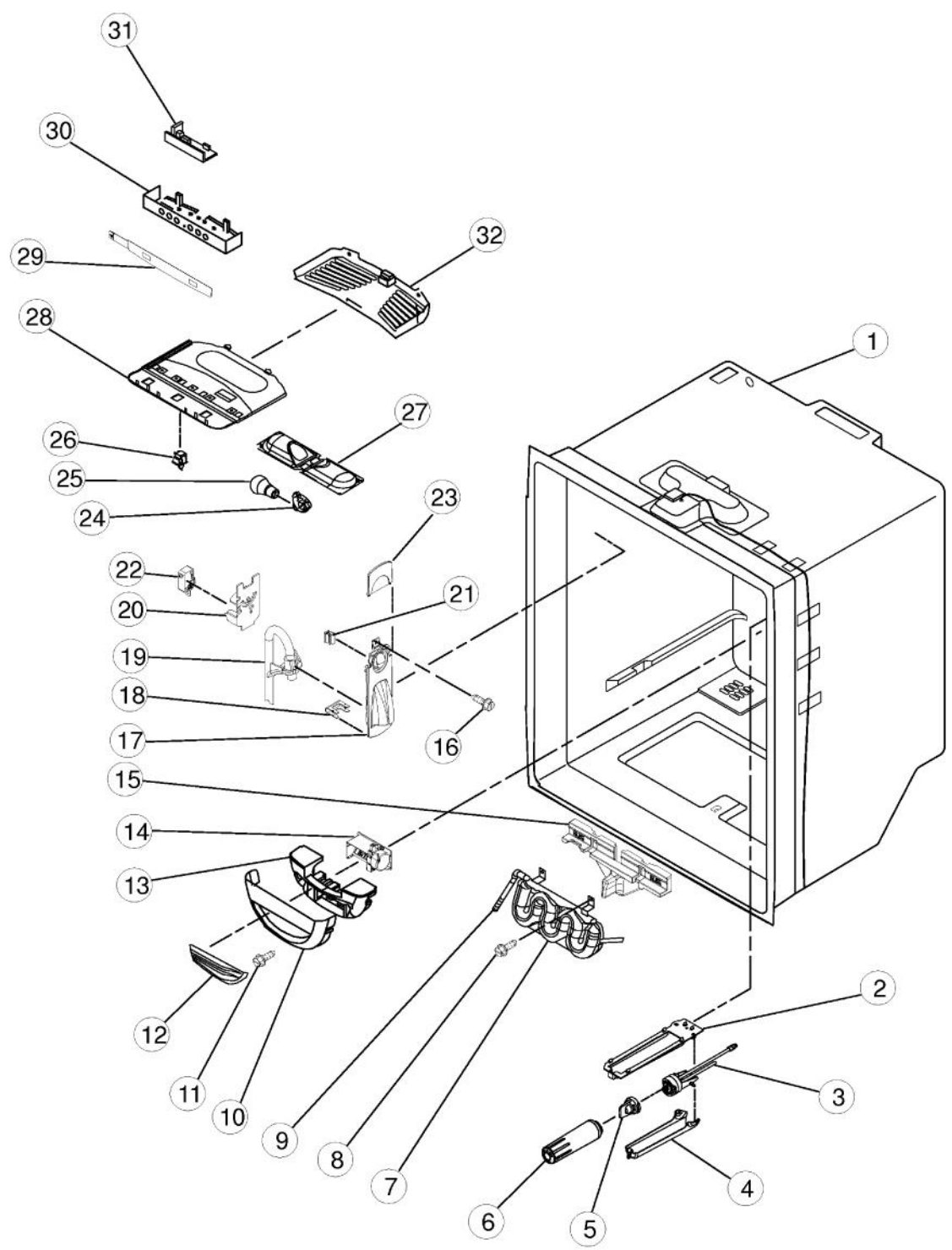
Ref #	Part Number	Qty.	Description
1	017000-000	1	COVER, RIGHT HINGE (APOLLO GREY)
2	021734-000	1	SCREW
3	021733-000	3	SCREW
4	021685-000	1	COVER, WATER LINE
5	021711-000	1	SCREW
6	017003-000	2	BLOCK, FILTER
7	021795-000	1	CLIP, SPEED
8	021749-000	1	ELBOW, FILL TUBE
9	PS400006	1	HINGE, TOP RIGHT
10	021714-000	1	SCREW
11	021823-000	1	COVER, UNIT
12	021820-000	1	COVER-WATER VALVE
13	021790-000	1	GASKET, MC BACK
14	021820-000	1	COVER-WATER VALVE
15	021790-000	1	GASKET, MC BACK
16	021794-000	1	CLAMP, TUBE
17	021697-000	1	FIBER, ACOUSTIC
18	021700-000	1	DUAL TUBE SWEEP
19	NON-SERVICEABLE	1	TUB WELDMENT
20	021822-000	1	TUBE, DRAIN
21	021847-000	1	ROLLER ASSY., FRONT RIGHT
22	011488-000	1	BRAKE, FOOT
23	021728-000	8	SCREW
24	PS400103	1	TOE GRILLE (BLACK)
25	021848-000	1	ROLLER ASSY., FRONT LEFT
26	028914-000	3	SCREW
27	020629-000	1	HINGE, DOOR, APOLLO GRAY
28	021662-000	1	PIN, CENTER HINGE
29	017004-000	1	CORNER COVER (APOLLO GREY)



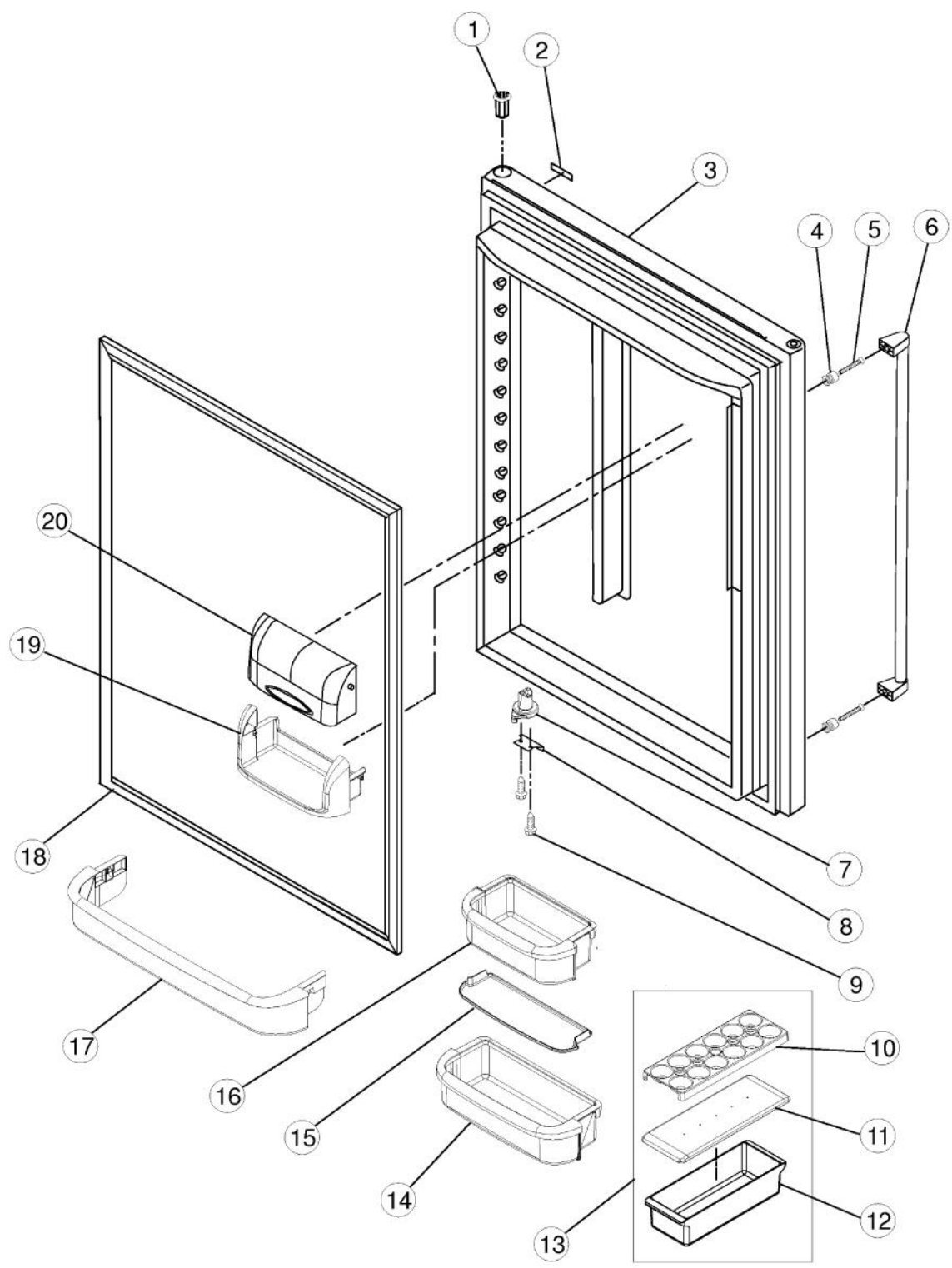
Ref #	Part Number	Qty.	Description
1	NON-SERVICEABLE	1	LINER
2	PS400092	1	FUNNEL, DRAIN
3	PS400091	1	SEAL, O-RING
4	PS400090	1	GASKET, DRAIN TUBE
5	017011-000	1	GASKET, FOAM
6	PS400142	1	FAN, EVAPORATOR
7	021738-000	1	SHROUD, EVAPORATOR FAN
8	011508-000	1	GROMMET
9	022959-000	1	MOTOR, EVAPORATOR
10	021739-000	1	CLIP, EVAP MOTOR
11	021788-000	1	GASKET, FOAM
12	021874-000	1	COVER, EVAPORATOR
13	021696-000	1	COVER, THERMISTOR
14	021736-000	1	GRILLE, FZ AIR
15	021704-000	1	GUIDE, FILL TUBE
16	021714-000	4	SCREW
17	021765-000	1	SOCKET, LIGHT
18	021875-000	1	BULB. LIGHT
19	021866-000	1	HANDLE, DOOR (SS)
20	021669-000	1	SWITCH, LIGHT
21	011500-000	1	BRACKET, DOOR, LEFT
22	010915-000	1	BRACKET, DOOR, LEFT
NI	010916-000	1	BRACKET, DOOR, RIGHT
23	021724-000	8	SCREW
24	021849-000	1	CRADLE, BASKET, LEFT
NI	021850-000	1	CRADLE, BASKET, RIGHT
25	021737-000	2	SLIDE, DRAWER
26	021710-000	6	SCREW
27	021877-000	1	ADAPTER, SLIDE, RIGHT
NI	021876-000	1	ADAPTER, SLIDE, LEFT
28	PS400100	1	GEAR (LH / RH)
29	021851-000	1	RACK-SIDE-LEFT
NI	021852-000	1	RACK-SLIDE, RIGHT
30	021917-000	1	SHAFT, RACK



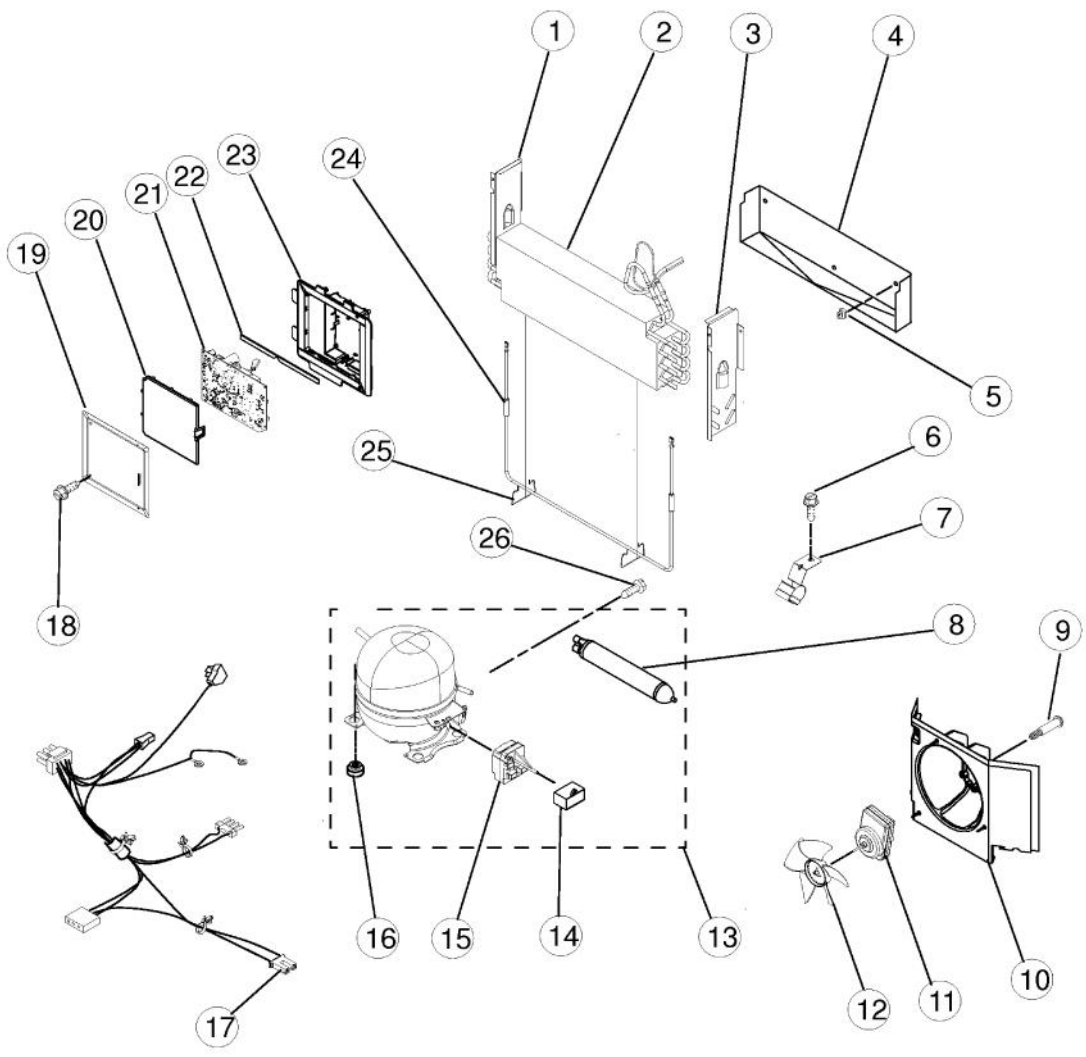
Ref #	Part Number	Qty.	Description
1	022958-000	1	DOOR, FREEZER (SS)
2	021610-000	1	HANDLE, STAINLESS STEEL
3	021918-000	2	SCREW
4	021567-000	2	STUD, HANDLE
5	017032-000	1	GASKET, FREEZER DOOR (BLACK)



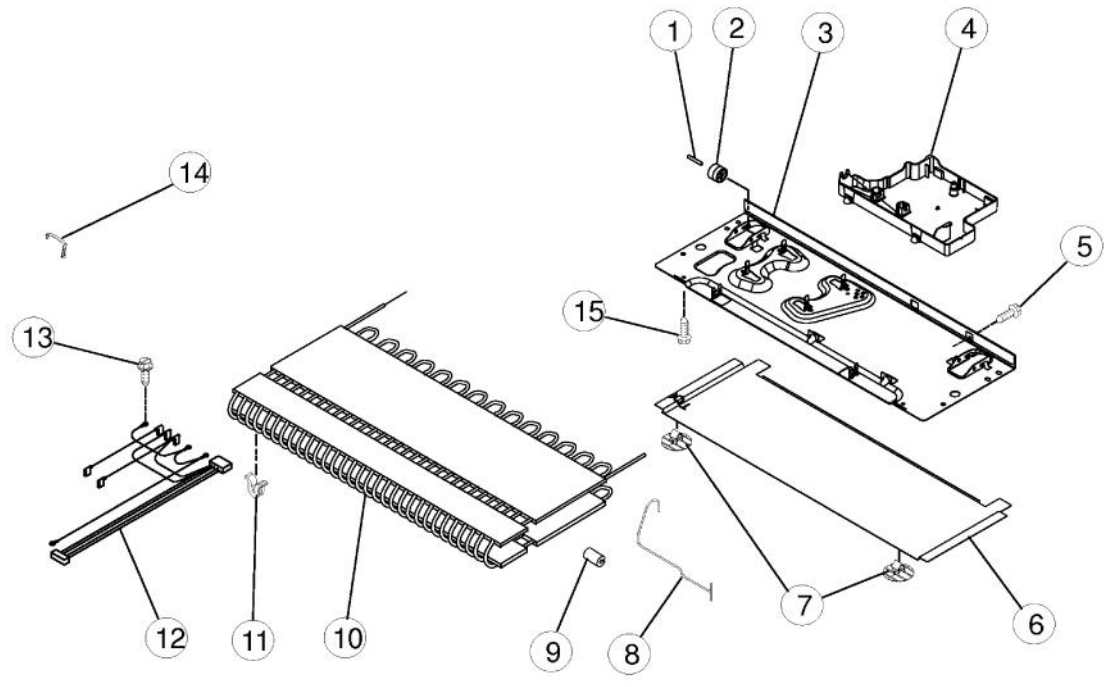
Ref #	Part Number	Qty.	Description
1	NON-SERVICEABLE	1	LINER
2	021681-000	1	PLATE
3	021674-000	1	HEAD, WATER FILTER
4	PS400031	1	COVER, FILTER
5	022157-000	1	PLUG, BYPASS
6	SALES ITEM	1	WATER FILTER
7	021682-000	1	TANK, WATER
8	021717-000	2	SCREW
9	PS400040	1	UNION (5/16 X 5/16)
10	021694-000	1	COVER, DAMPER
11	021725-000	2	SCREW
12	021695-000	1	INSERT, DAMPER COVER
13	017025-000	1	INSULATION
14	021819-000	1	CONTROL, DAMPER
15	017029-000	1	INSULATION, WATER TANK
16	021719-000	2	SCREW
17	017027-000	1	FA?ADE, DISPENSER
18	021757-000	1	WATER LINE CLIP
19	021776-000	1	GUIDE, WATERLINE
20	017028-000	1	PLATE, SWITCH
21	021791-000	2	CLIP, FA?ADE
22	PS400035	1	SWITCH, LIMIT
23	021683-000	1	FA?ADE, DISPENSER (TOP)
24	021765-000	2	SOCKET, LIGHT
25	021875-000	2	BULB. LIGHT
26	021792-000	1	SWITCH, LIGHT
27	021781-000	1	LIGHT HOUSING
28	022158-000	1	LIGHT MODULE
29	022966-000	1	OVERLAY
30	021692-000	1	HOUSING, CONTROL
31	022952-000	1	CONTROL BOARD
32	021693-000	1	COVER, LIGHT
NI	022967-000	1	HARNES, CONTROL, REF. (INCLUDES THERMISTOR)



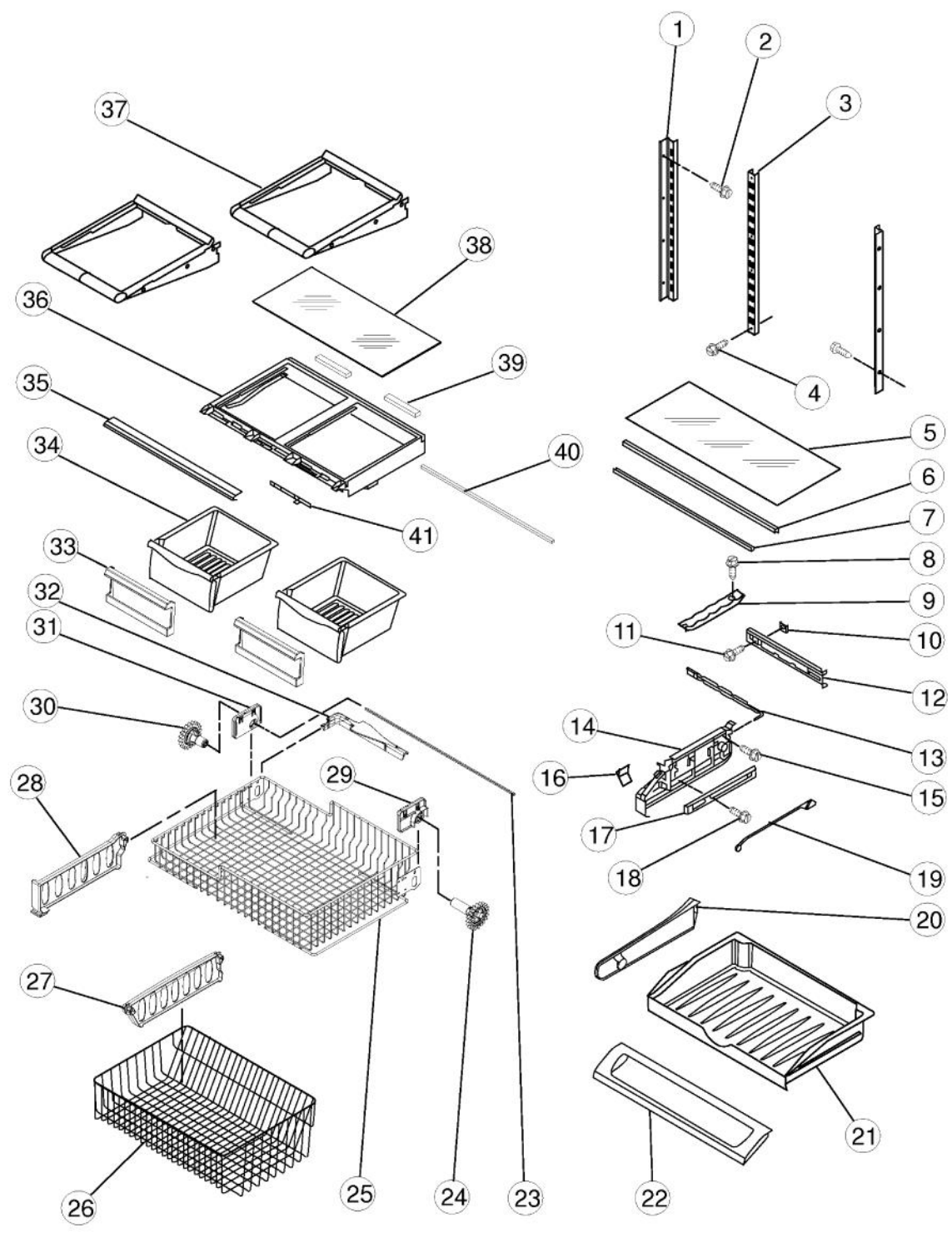
Ref #	Part Number	Qty.	Description
3	022987-000	1	DOOR, REFRIGERATOR - RIGHT (SS)
2	SALES ITEM	1	WATER FILTER
4	021567-000	1	STUD, HANDLE
5	021918-000	2	SCREW
6	021610-000	2	HANDLE, STAINLESS STEEL
1	017100-000	2	BUSHING, DOOR - UPPER RIGHT (APOLLO GREY)
7	017103-000	1	CLOSURE, DOOR (APOLLO GREY)
8	017023-000	1	STOP, DOOR (APOLLO GREY)
9	021711-000	1	SCREW
10	017162-000	1	TRAY, EGG
11	017098-000	1	LID, UTILITY
12	017097-000	1	BIN, UTILITY
13	PM910332	1	ACCESORY ASSY (INCLUDES ITEMS 7, 8 & 9)
14	022160-000	2	BUCKET, LARGE (W/GRIPPER)
15	022161-000	2	GRIPPER, LARGE
16	PS400025	1	BUCKET, MEDIUM (W/GRIPPER)
17	017077-000	1	RETAINER, DOOR
18	022163-000	1	GASKET, DOOR (APOLLO GREY)
19	021758-000	1	TRAY, DAIRY
20	021780-000	1	DOOR, DAIRY
NI	022162-000	1	GRIPPER, MEDIUM



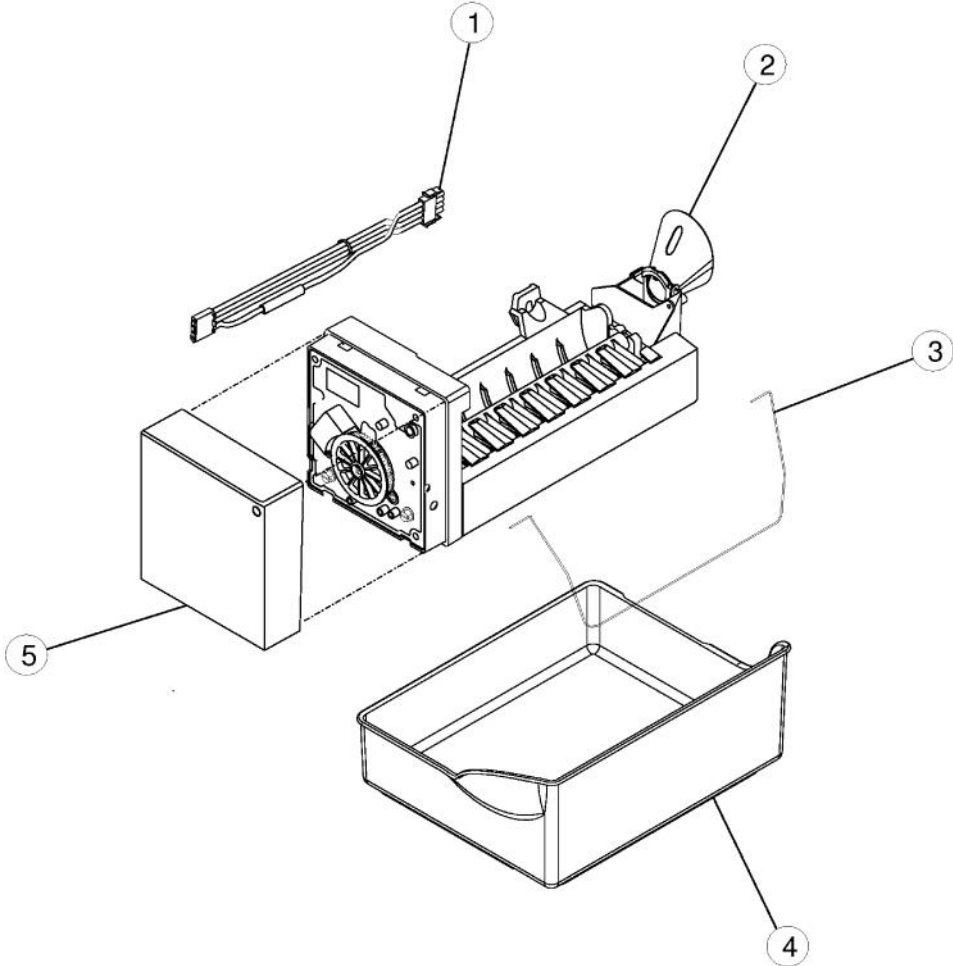
Ref #	Part Number	Qty.	Description
1	021665-000	1	DAM, LEFT SIDE
2	021686-000	1	EVAPORATOR (INCL. EVAP., HEAT SHIELD & INSTR.)
3	021666-000	1	DAM, RIGHT SIDE
4	021885-000	1	TRAY, DRIP
5	PS400124	1	CLIP, EVAPORATOR
6	021710-000	1	SCREW
7	022960-000	1	CLIP, DRIER
8	017051-000	1	DRIER
9	021824-000	1	SCREW, SHOULDER
10	021810-000	1	SHROUD
11	021893-000	1	MOTOR, FAN
12	021699-000	1	BLADE, FAN
13	022164-000	1	COMPRESSOR KIT
14	022969-000	1	CAPACITOR
15	022970-000	1	START DEVICE
16	021750-000	4	GROMMET
17	022971-000	1	HARNESS, UNIT W/ POWER CORD
18	021727-000	1	SCREW
19	021707-000	1	COVER, CONTROL BOX
20	021705-000	1	LID, HV BOX
21	022962-000	1	BOARD, CONTROL
22	021706-000	1	GASKET, HV CONTROL
23	021839-000	1	BOX, HV CONTROL
24	021687-000	1	HEATER, DEFROST
25	PS400137	1	CLIP, HEATER
26	021731-000	1	SCREW, GROUND



Ref #	Part Number	Qty.	Description
1	021671-000	2	AXLE - ROLLER
2	021670-000	2	ROLLER ASSY., REAR
3	021821-000	1	BASEPAN
4	021853-000	1	PAN, DRAIN
5	021714-000	2	SCREW
6	021817-000	1	EXTENSION - BASEPAN
7	021818-000	1	FASTENER - BASEPAN
8	017078-000	1	TUBE, DISCHARGE
9	021551-000	1	GROMMET-COND.
10	021798-000	1	CONDENSER
11	017057-000	4	GROMMET (W10137529)
12	017036-000	1	HARNES, EVAP. HEATER
13	021731-000	1	SCREW, GROUND
14	022972-000	1	STRAP. BAIL
15	021743-000	4	SCREW



Ref #	Part Number	Qty.	Description
1	021838-000	2	LADDER, RH / LH
2	021719-000	6	SCREW
3	021846-000	1	LADDER, CENTER
4	021910-000	2	SCREW
5	021664-000	1	GLASS, PANTRY
6	021773-000	2	SUPPORT, PANTRY
7	017110-000	2	BRACE, PANTRY
8	021719-000	8	SCREW
9	021672-000	1	TRACK, PANTRY
10	021678-000	1	GASKET, PANTRY
11	021719-000	1	SCREW
12	021677-000	1	HOUSING, CONTROL
13	021676-000	4	SLIDE TEMPERATURE
14	PS400076	1	END CAP, LH PANTRY
NI	PS400077	1	END CAP, RH PANTRY
15	021717-000	4	SCREW
16	021771-000	1	KNOB, TEMP CONTROL
17	021912-000	2	GLIDE, DRAWER
18	021711-000	4	SCREW
19	021675-000	1	ROD, TEMP CONTROL
20	021684-000	1	DIVIDER, PANTRY DRAWER
21	022168-000	1	DRAWER, PANTRY
22	021745-000	1	DOOR, PANTRY DRAWER
23	021782-000	1	SHAFT-RACK
24	021800-000	1	GEAR, LONG-RIGHT
25	017129-000	1	BASKET, FREEZER (UPPER)
26	017125-000	1	BASKET, FREEZER (LOWER)
27	017126-000	1	DIVIDER, LOWER BASKET
28	021837-000	1	DIVIDER, UPPER BASKET
29	021834-000	1	MOUNT-GEAR - RIGHT
30	021805-000	1	GEAR, SHORT-LEFT
31	021833-000	1	MOUNT-GEAR - LEFT
32	021801-000	1	LIFT-BALL ARM
33	022169-000	1	FRONT, CRISPER PAN
34	021761-000	2	CRISPER PAN
35	021832-000	1	TRIM, CRISPER
36	021762-000	1	FRAME, CRISPER
37	017076-000	4	GLIDE, PANTRY DRAWER
38	021744-000	1	GLASS, CRISPER
39	021857-000	1	GASKET
40	PS400073	1	BRACE, CRISPER
41	021760-000	1	SLIDE, HUMIDITY CONTROL



Ref #	Part Number	Qty.	Description
1	021793-000	1	HARNESS, ICE MAKER
2	021811-000	1	ICEMAKER ASSY
3	021913-000	1	ARM, SHUTOFF
4	017060-000	1	PAN, ICE
5	PS400368	1	COVER, ICE MAKER