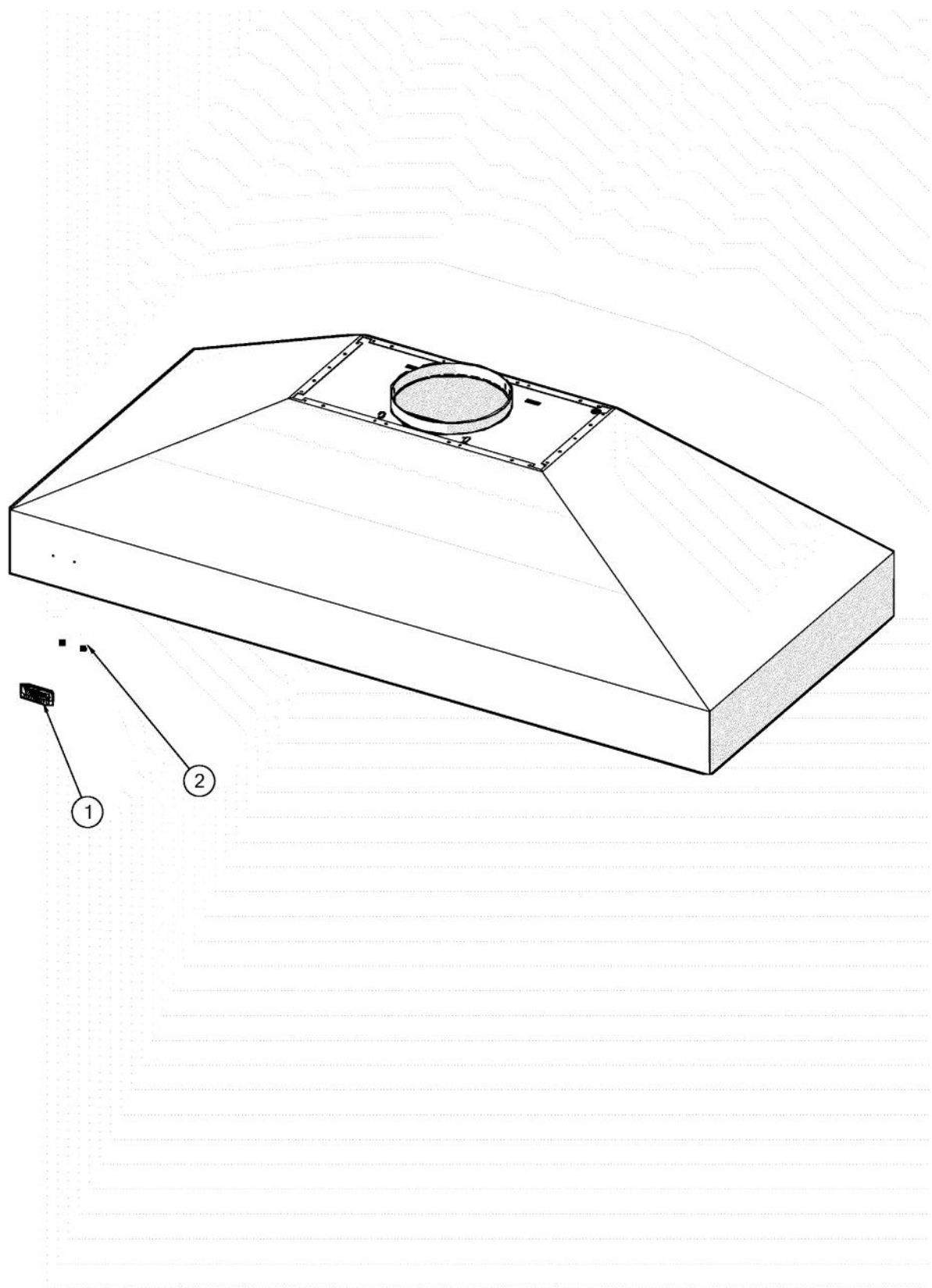
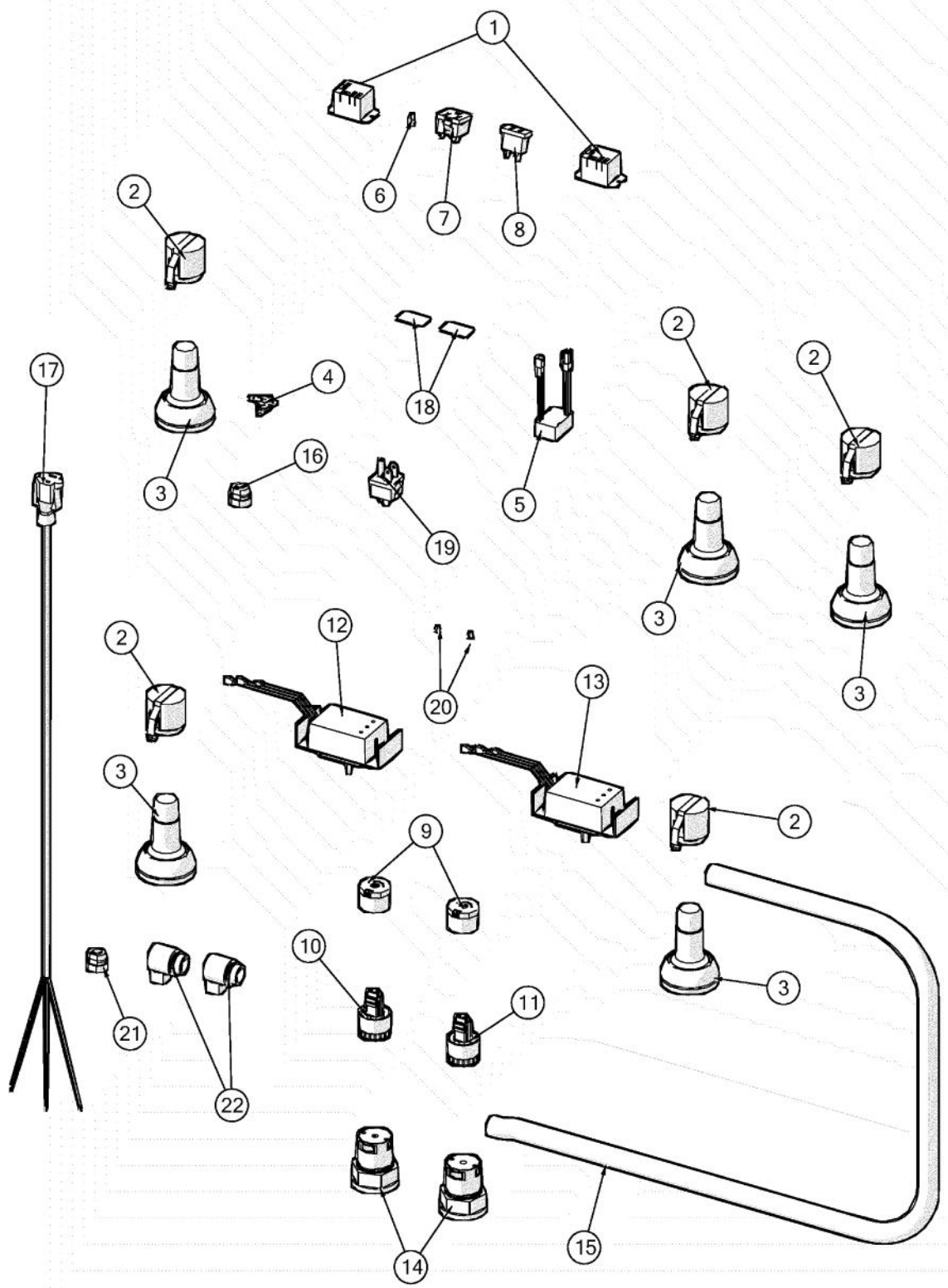


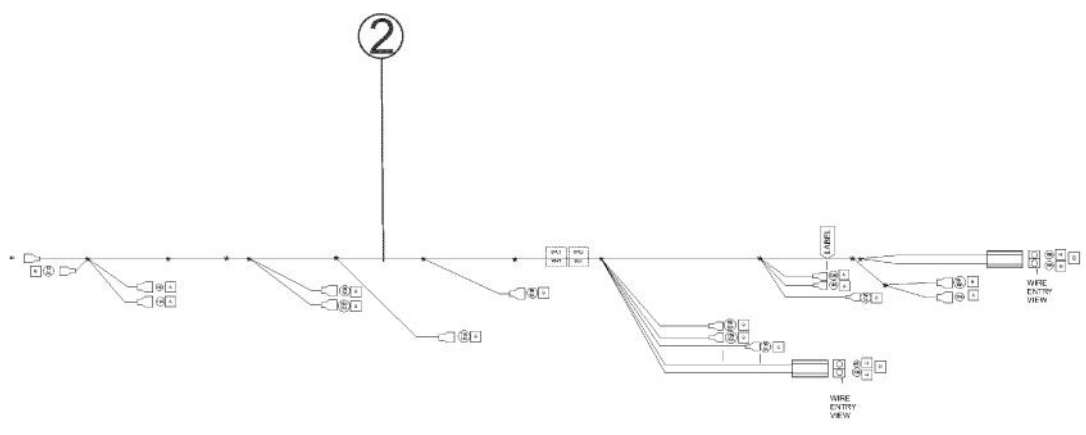
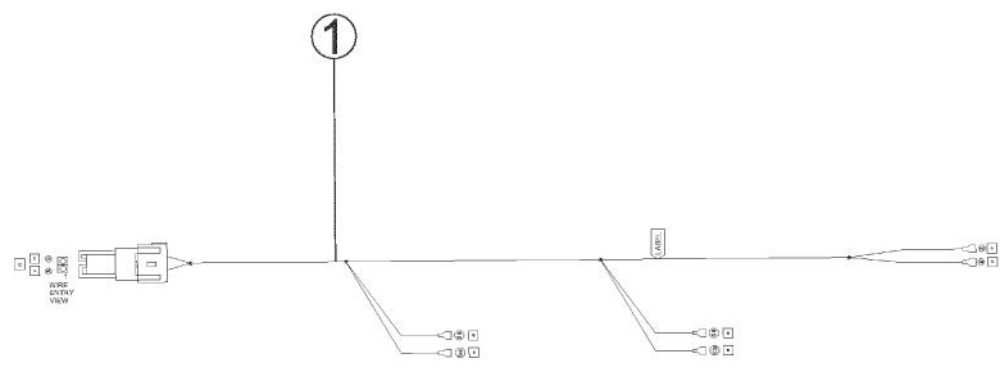
Ref #	Part Number	Qty.	Description
1	G3103955	8	FILTER ASSEMBLY 13.375 X 7
2	049927-000	4	SPACER, FLTR, VCIH 66
3	049457-000	1	PANEL, IS, CTRL, REAR, 66
4	B2004087	2	CTRL PAN TOP (VIH6608)
5	049803-000	2	TROUGHM GRS, IS, 66
6	049460-000	1	PANEL, IS, CTRL, FRONT, 66
7	045696-000	1	BRACKET, TSTAT, 12 HIGH HOODS
8	049234-000	5	SUPPORT, IS, LIGHT
9	A2004678	1	DCWH ROUGH IN BOX
10	B2004090	1	HOOD FILTER SUPT TOP (VIH6608)
11	B2004088	1	HOOD FILTER SUPT BTM (VIH6608)
12	PD950012	8	STRIKE PANEL ACCESS
13	PD950013	8	LATCH PANEL ACCESS
14	049672-000	1	I/S SIDE 5 SERIES (VCIH54/6608)
15	PD020087	36	10 X 1/2 PAN PH. TEK ZINC
16	PC040010		POP RIVET



Ref #	Part Number	Qty.	Description
1	PE010142	1	3 LOGO XBKXXCHROME
2	PD030006	2	CAPPED WASHER PAL NUT



Ref #	Part Number	Qty.	Description
1	045078-000	2	RELAY, PWR, MINI, 30 AMP
2	PE050032	5	LIGHT SOCKET, (571V)
3	045062-000	5	BULB, LED LIGHT
4	PJ030014	1	HEAT SENSOR (N.O.) 160 DEG.
5	045647-000	1	AC/DC CONVERTER, POWERLINE
6	PD020010		10 X 3/8 GREEN GROUNDING SCREW
7	PE070541	1	3-PRONG FEMALE SOCKET
8	PE070196	1	FEMALE SOCKET (2 PRONG)
9	044954-000	2	RING, LED, LIGHT ASSY
10	044959-000	1	KNOB, SW, FAN (H+S V5211 019 206 005)?
11	044960-000	1	KNOB, SW, LIGHT
12	043269-000	1	SWITCH, FAN ASSY
13	046994-000	1	SWITCH, LT, ASSY
14	044956-000	2	HOUSING, KNOB ASSY
15	PB020071	1	CONDUIT - FLEXIBLE (48)
16	PE070204	1	HEYCO STRAIN RELIEF - 7-P2
17	039680-000	1	CORD, PWR, SUPPLY, VNT HD
18	046408-000	2	STRIP, TAPE- 1.250 X .750
19	PE070197	1	MALE SOCKET (3 PRONG)
20	PC040010		POP RIVET
21	PE070204	1	HEYCO STRAIN RELIEF - 7-P2
22	PE070358	2	SNAP IN FLEXIBLE CONDUIT CLAMP(DCIH



Ref #	Part Number	Qty.	Description
1	049469-000	1	HARNESS, W, AUX, 66
2	049462-000	1	HARNESS, W, IS, MAIN, 54/66