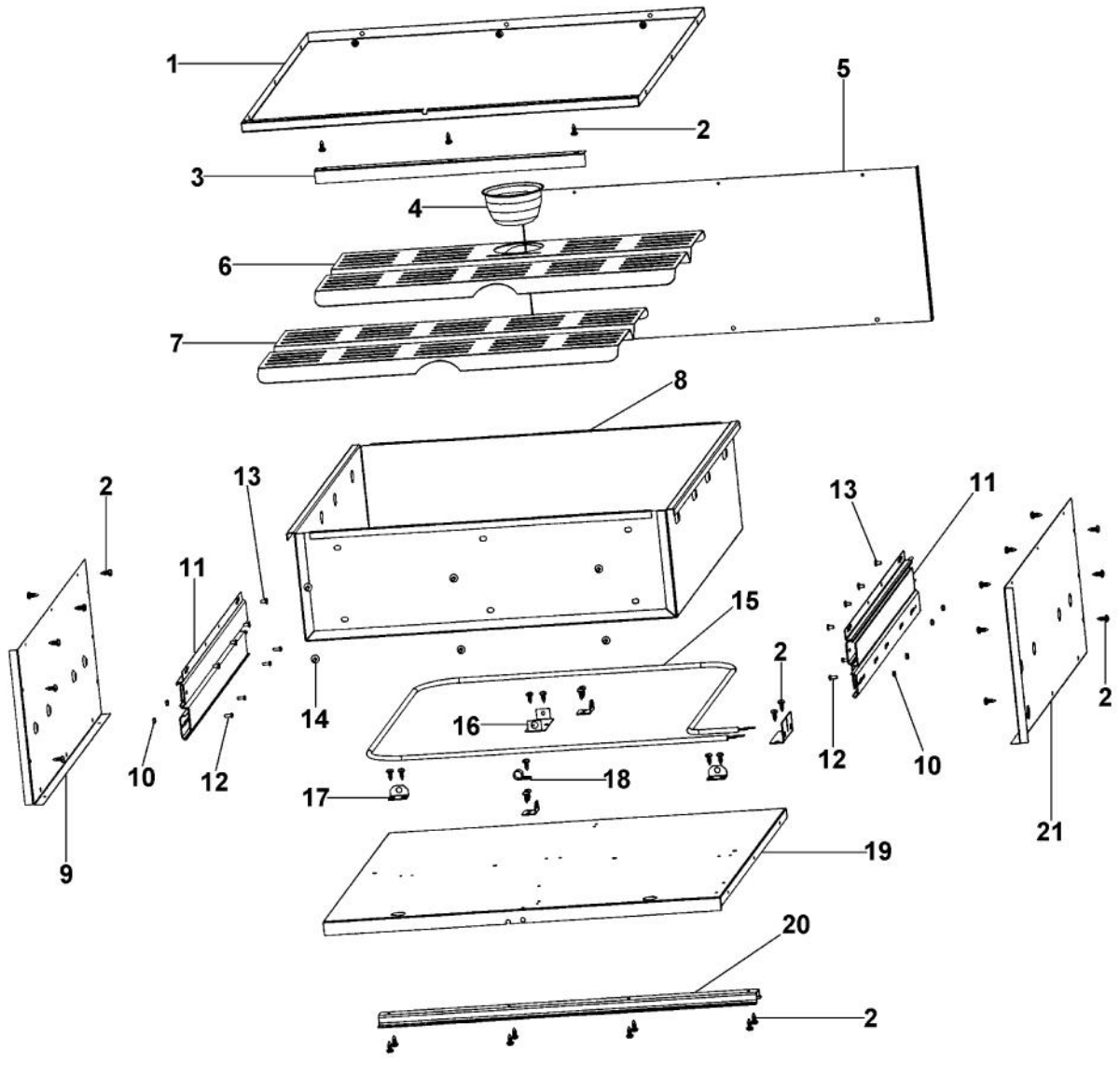
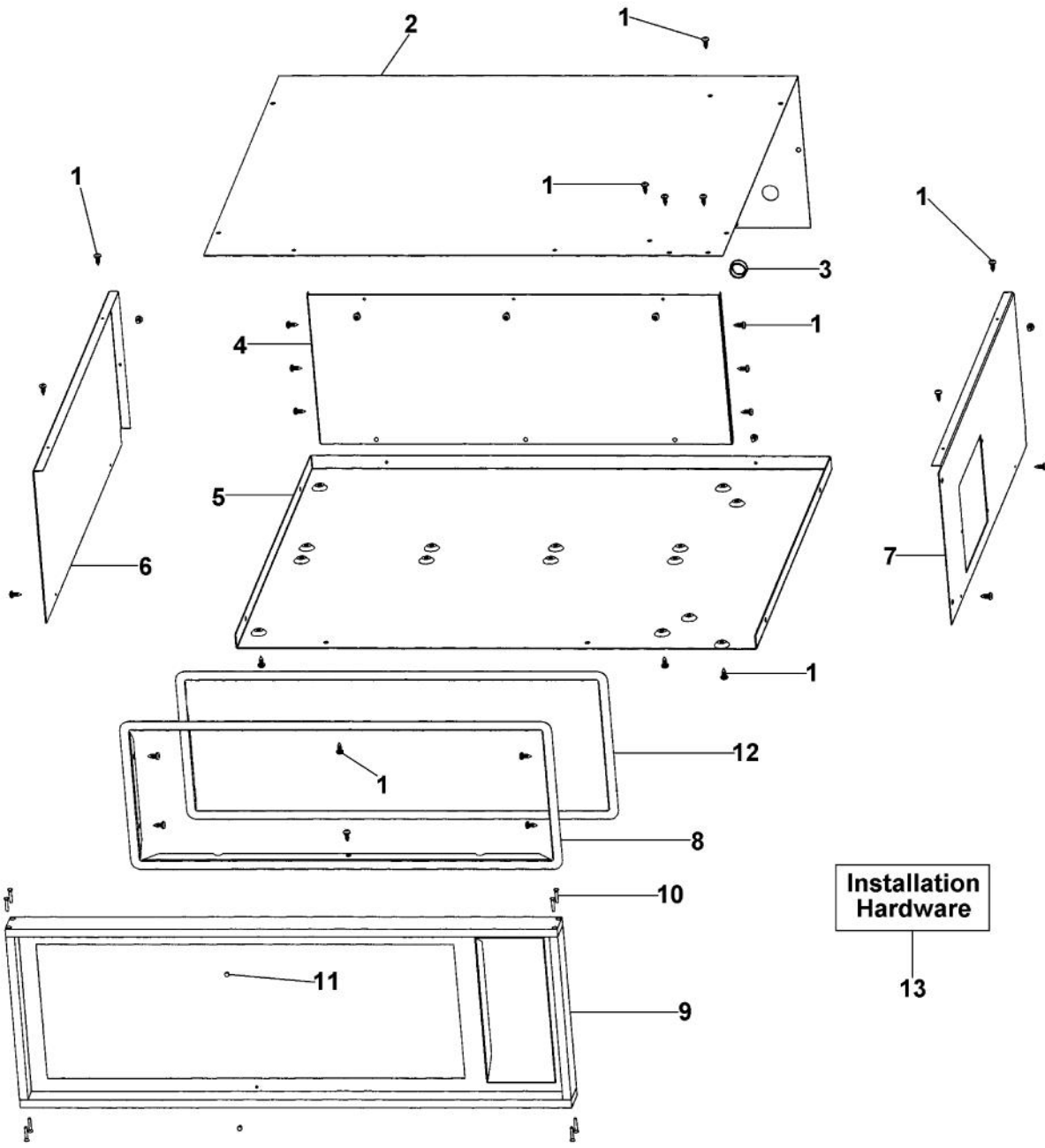


| Ref # | Part Number | Qty. | Description |
|-------|-------------|------|----------------------------------|
| 1 | B20015286 | | INSULATION PANEL (VEWDT) |
| 2 | PD020010 | | 10 X 3/8 GREEN GROUNDING SCREW |
| 3 | PE070147 | | TERMINAL BLOCK |
| 4 | PD020009 | | 10 X 1 PH. HD. PAN HD. SMS |
| 5 | B2002195 | | POWER CORD MOUNTING BRKT (VEWDT) |
| 6 | PD020087 | | 10 X 1/2 PAN PH. TEK ZINC |
| 7 | B1002457 | | STRAIN RELEIF (VEWDT) |
| 8 | PD040005 | | SNAP BUSHING - 7/8 |
| 9 | B20015283 | | OUTER SIDE PANEL RH (VEWDT) |
| 10 | B1004135 | | ACCESS PLATE (VEWDT) |
| 11 | PE050024 | | OVEN IND. LIGHT (LIGHT HOUSING) |
| 12 | PE050023 | | OVEN IND. LIGHT (LENS & BEZEL) |
| 13 | PB010167 | | THERMOSTAT |
| 14 | PD020076 | | 6-32 X 3/8 PHILL PAN MS |
| 15 | B2006075 | | THERMOSTAT SPACER (VEWDT) |
| 16 | B20013480 | | CONTROL PANEL XSSX (VEWD/DEWD) |
| 17 | PE040326 | | DEWD/VEWD CONTROL PANEL GRAPHIC |
| 18 | PB010278 | | T/STAT KNOB-XBKX (B-IN OVEN) |



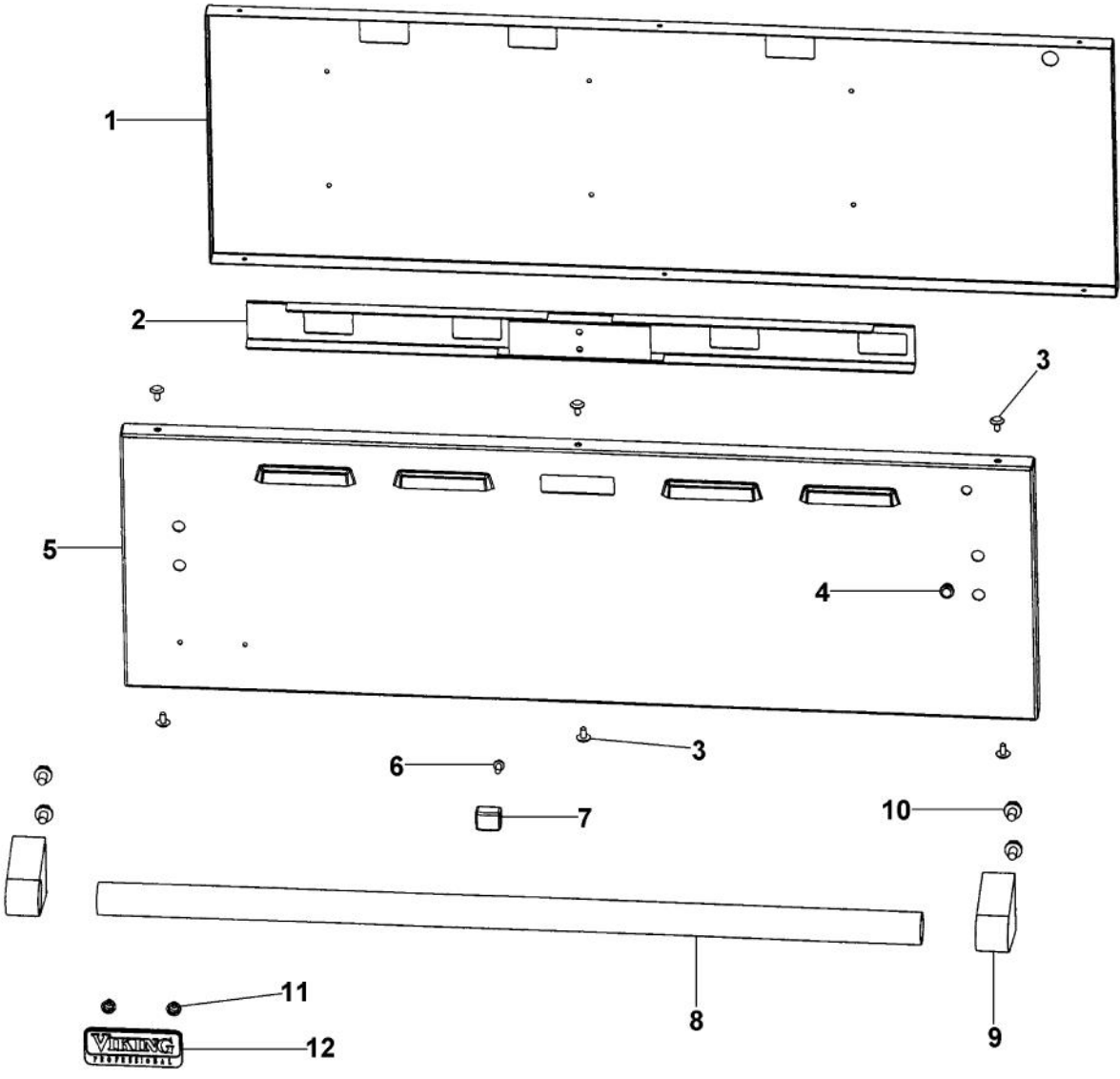
| Ref # | Part Number | Qty. | Description |
|-------|-------------|------|--------------------------------------|
| 1 | B20015277 | | 30 I/S TOP PANEL (VEWD103) |
| 2 | PD020087 | | 10 X 1/2 PAN PH. TEK ZINC |
| 3 | B2004125 | | DRAWER STOP 27 |
| 4 | PA030005 | | 6OZ. STAINLESS STEEL BOWL (6960) |
| 5 | B2004176 | | REAR INSIDE PANEL - 30 (VEWD) |
| 6 | B2004132 | | REAR RACK - 30 (VEWD) |
| 7 | B2004131 | | FRONT RACK - 30 (VEWD) |
| 8 | G31015269 | | DRAWER ASSY (VEWD103T) |
| 9 | B20015284 | | INSIDE PANEL LH (VEWD) |
| 10 | PD030012 | | 6-32 HEX NUT |
| 11 | PC020022 | | WARMING DRAWER SLIDES |
| 12 | PD020076 | | 6-32 X 3/8 PHILL PAN MS |
| 13 | PC040019 | | POP RIVET (0.125 GR X 0.156 DIA) |
| 14 | PD020032 | | SRW-8(A)X3/8PH.WFR HD 7/16DIA XNICKL |
| 15 | PJ010009 | | ELEMENT - 30 (VEWD) |
| 16 | B2004148 | | THERMAL BULB BRKT (VEWD) |
| 17 | B2004147 | | ELEMENT BRACKET (VEWD) |
| 18 | PD030009 | | CLAMP, AL-8 (.500) |
| 19 | B20015280 | | BOTTOM INSIDE PANEL - 30 (VEWD) |
| 20 | B2007075 | | 30 WARMING DRAWER BRKT XSSX |
| 21 | B20015285 | | INSIDE PANEL RH (VEWD) |



Installation
Hardware

13

| Ref # | Part Number | Qty. | Description |
|-------|-------------|------|---|
| 1 | PD020087 | | 10 X 1/2 PAN PH. TEK ZINC |
| 2 | B20015286 | | INSULATION PANEL (VEWDT) |
| 3 | PD040005 | | SNAP BUSHING - 7/8 |
| 4 | B2004176 | | REAR INSIDE PANEL - 30 (VEWD) |
| 5 | B20015274 | | WARMING DRAWER BTM 30 (VEWD103T) |
| 6 | B20015282 | | OUTER SIDE PANEL LH (VEWDT) |
| 7 | B20015283 | | OUTER SIDE PANEL RH (VEWDT) |
| 8 | B20016091 | | GASKET FRAME (VEWD103) |
| 9 | G31013411 | | TRIM ASSEMBLY |
| 10 | PD020150 | | NO.6 X 1/2 PH. CT. SK. SMS. ``SS`` |
| 11 | PC040010 | | POP RIVET |
| 12 | PB070072 | | WARMING DRAWER GASKET 6"/UNIT |
| 13 | PD020009 | | 10 X 1 PH. HD. PAN HD. SMS INSTALL HARDWARE - QTY. 4 |



| Ref # | Part Number | Qty. | Description |
|-------|---------------|------|---------------------------------------|
| 1 | B20015254 | | I/S DOOR PANEL (VEWD103) |
| 2 | G30016109 | | DOOR SLIDE ASSY (VEWD163T/103T) |
| 3 | PD020032 | | SRW-8(A)X3/8PH.WFR HD 7/16DIAXNICL |
| 4 | PE050023 | | OVEN IND. LIGHT (LENS & BEZEL) |
| 5 | B92013425 | | O/S DOOR PANEL XSLK SCREENX (VEWD103) |
| 6 | PD020072 | | NO.8-32 X 3/8 PH PH MS (VEWD) |
| 7 | PA010072 | | MOISTURE SELECTOR KNOB XBKX (VEWD) |
| 8 | PE030179 | | 30 PROF. DOOR HANDLE |
| | PE030179PVD | | 30 PROF. DOOR HANDLE XPV DX 24.907 |
| 9 | PE030001 | | BRACKET, DOOR, HANDLE |
| | PE030001PVD | | END CAP DOOR HANDLE XBR |
| 10 | PD010019 | | BLT-1/4-20X3/8HEX WASHER SERATED |
| 11 | PD030006 | | CAPPED WASHER PAL NUT |
| 12 | PE010142 | | 3 LOGO XBKXXCHROME |
| | PE010143 | | 3 LOGO BK/BR |
| NI | G32015260SS | | 30 DOOR ASSY XSSX (VEWD103T) |
| | G32015260SSBR | | 30 DOOR ASSY XSSXBRX (VEWD103T) |
| NI | PD950012 | | STRIKE PANEL ACCESS |
| NI | PD950013 | | LATCH PANEL ACCESS |