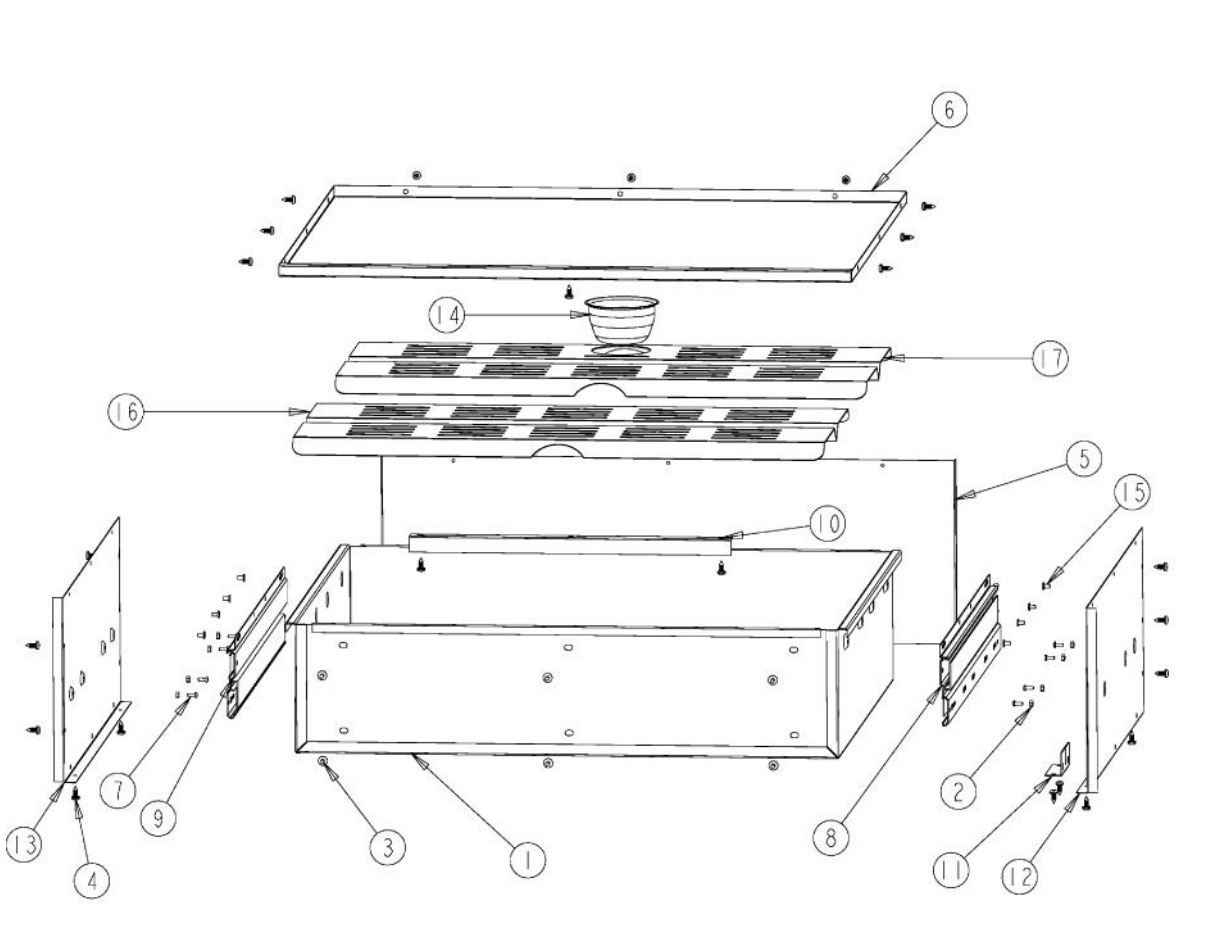
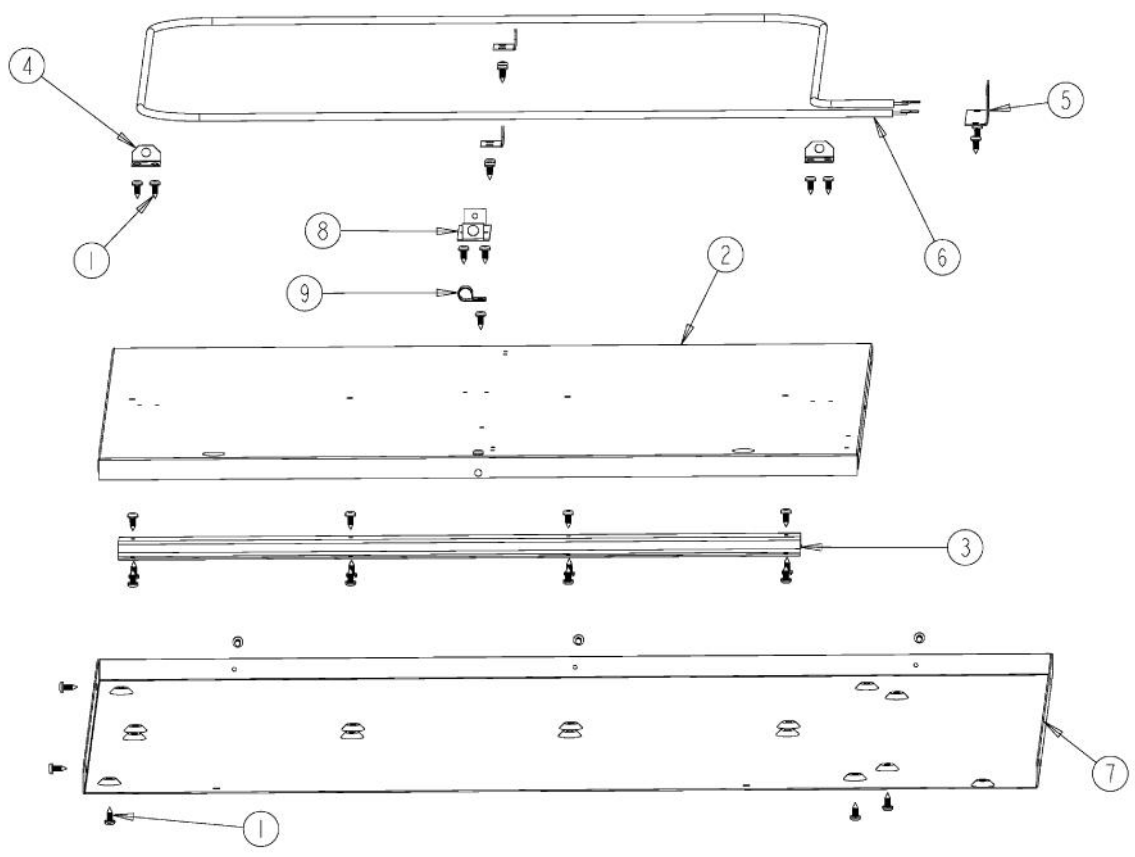


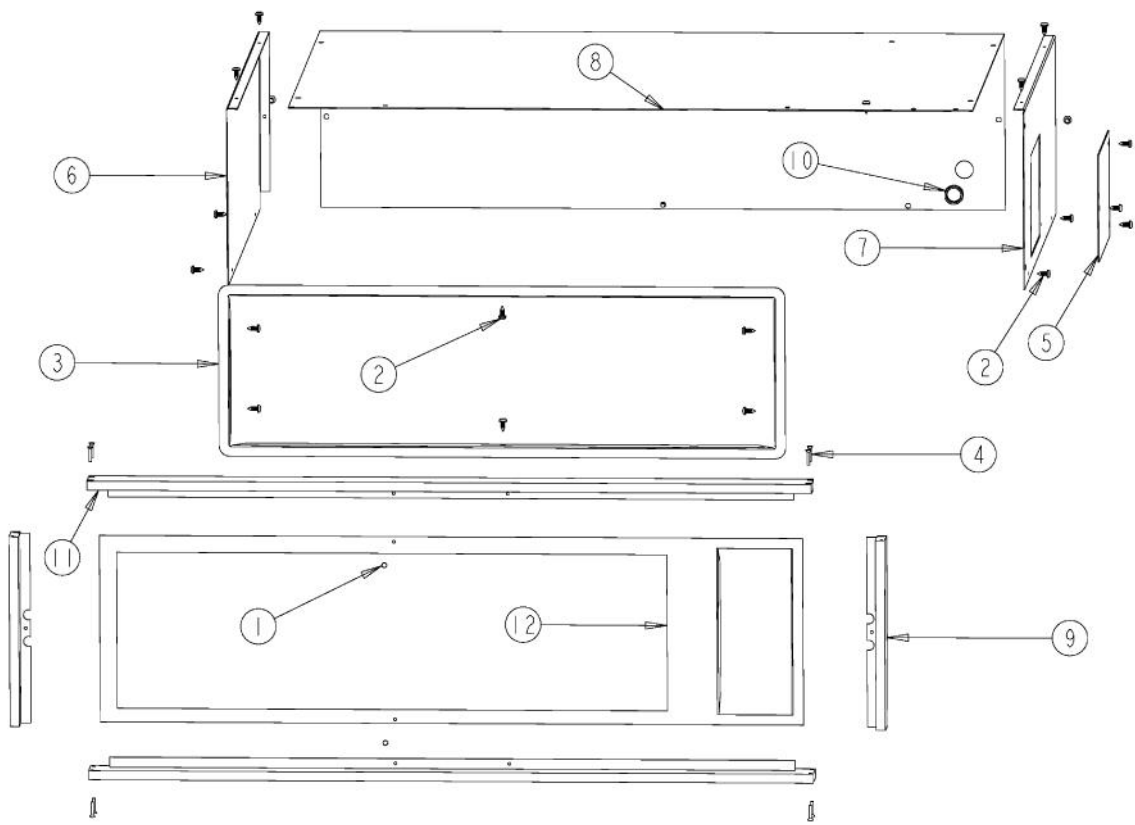
Ref #	Part Number	Qty.	Description
1	PD020009		10 X 1 PH. HD. PAN HD. SMS
2	PD020087		10 X 1/2 PAN PH. TEK ZINC
3	PD020076		6-32 X 3/8 PHILL PAN MS
4	PD020010		10 X 3/8 GREEN GROUNDING SCREW
5	A1004135		ACCESS PLATE (VEWD)
6	A2006075		THERMOSTAT SPACER, DESIGNER
7	PE040326		DEWD/VEWD CONTROL PANEL GRAPHIC
8	PE050024		OVEN IND. LIGHT (LIGHT HOUSING)
9	A20013478		INSULATION PANEL
10	PE050023		OVEN IND. LIGHT (LENS & BEZEL)
11	A20013479		OUTER SIDE PANEL - RH
12	A1002457		POWER CORD MOUNTING STRAP (VDSC)
13	A2002195		POWER CORD MOUNTING BRKT (VDSC)
14	PE070147		TERMINAL BLOCK
15	PB010278		T/STAT KNOB-XBKX (B-IN OVEN)
15	PB010279		T/STAT KNOB-XWHX (B-IN OVEN)
16	PB010167		THERMOSTAT
17	B20013480		CONTROL PANEL XSSX (VEWD/DEWD)
NI	003005-002	2	8 - 18 X 1/2 ZN TRIV W/NO.6 TRUSS AB TAPPING SCREW XB...



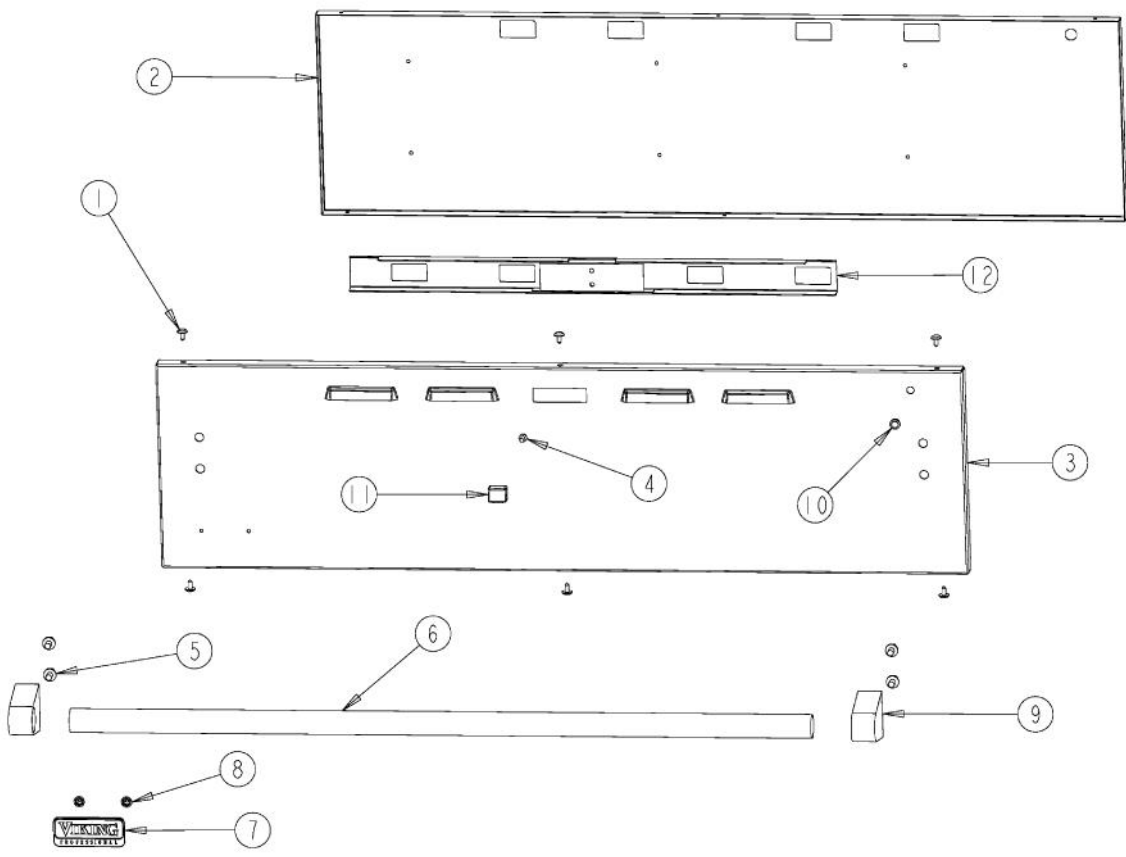
Ref #	Part Number	Qty.	Description
1	G31015252		WARMING DRAWER ASSY (36)
2	PD030012		6-32 HEX NUT
3	PD020032		SRW-8(A)X3/8PH.WFR HD 7/16DIA XNICKL
4	PD020087		10 X 1/2 PAN PH. TEK ZINC
5	B2004154		REAR INSIDE PANEL - 36 (VEWD)
6	B20013486		36 I/S TOP PANEL (VEWD163)
7	PD020076		6-32 X 3/8 PHILL PAN MS
8	PC020022		WARMING DRAWER SLIDES
9	PC020022		WARMING DRAWER SLIDES
10	B2004125		DRAWER STOP 27
11	B2004141		BRACKET
12	B2004151		INSIDE PANEL RH (VEWD)
13	B2004152		INSIDE PANEL LH (VEWD)
14	PA030005		6OZ. STAINLESS STEEL BOWL (6960)
15	PC040019		POP RIVET (0.125 GR X 0.156 DIA)
16	B2004133		FRONT RACK - 36 (VEWD)
17	B2004134		REAR RACK - 36 (VEWD)



Ref #	Part Number	Qty.	Description
1	PD020087		10 X 1/2 PAN PH. TEK ZINC
2	B2004153		BOTTOM INSIDE PANEL - 36 (VEWD)
3	A2007081		36`` WARMING DRAWER BRKT
4	B2004147		ELEMENT BRACKET (VEWD)
5	B2004141		BRACKET
6	PJ010008		ELEMENT - 36 (VEWD)
7	A2004155		OUTER PANEL - BOTTOM
8	B2004148		THERMAL BULB BRKT (VEWD)
9	PD030009		CLAMP, AL-8 (.500)



Ref #	Part Number	Qty.	Description
1	PC040010		POP RIVET
2	PD020087		10 X 1/2 PAN PH. TEK ZINC
3	B2004167		GASKET FRAME (VEWD162)
No.	PB070072		WARMING DRAWER GASKET 6"/UNIT
4	PD020150		NO.6 X 1/2 PH. CT. SK. SMS. ``SS``
5	A1004135		ACCESS PLATE (VEWD)
6	A20013482		O/S SIDE - LH
7	A20013479		O/S SIDE - RH
8	A2004159		OUTER TOP PANEL (VEWD)
9	PE040290		SIDE TRIM (VEWD)
10	PD040005		SNAP BUSHING - 7/8
11	PE040289		TOP/BOTTOM TRIM (VEWD163)
12	B20013487		FRONT FRAME - 36 (VEWD163)



Ref #	Part Number	Qty.	Description
1	PD020032		SRW-8(A)X3/8PH.WFR HD 7/16DIAXNICL
2	B20013438		I/S DOOR PANEL (VEWD163)
3	B92013437		O/S DOOR PANEL XSLK SCREENX (VEWD163)
3	C92013437AL		O/S DOOR PANEL XSLK SCREENX XALX (VEWD163)
3	C92013437BK		O/S DOOR PANEL XSLK SCREENX XBKX (VEWD163)
3	C92013437BT		O/S DOOR PANEL XSLK SCREENX XBTX (VEWD163)
3	C92013437BU		O/S DOOR PANEL XSLK SCREENX XBUX (VEWD163)
3	C92013437CB		O/S DOOR PANEL XSLK SCREENX XCBX (VEWD163)
3	C92013437EP		O/S DOOR PANEL XSLK SCREENX XEPX (VEWD163)
3	C92013437FG		O/S DOOR PANEL XSLK SCREENX XFGX (VEWD163)
3	C92013437GG		O/S DOOR PANEL XSLK SCREENX XGGX (VEWD163)
3	C92013437LE		O/S DOOR PANEL XSLK SCREENX XLEX (VEWD163)
3	C92013437MJ		O/S DOOR PANEL XSLK SCREENX XMJX (VEWD163)
3	C92013437SG		O/S DOOR PANEL XSLK SCREENX XSGX (VEWD163)
3	C92013437VB		O/S DOOR PANEL XSLK SCREENX XVBX (VEWD163)
3	C92013437WH		O/S DOOR PANEL XSLK SCREENX XWHX (VEWD163)
4	PD020072		NO.8-32 X 3/8 PH PH MS (VEWD)
5	PD010019		BLT-1/4-20X3/8HEX WASHER SERATED
6	PE030194		PROFESSIONAL WARMING DRAWER HANDLE (VEWD163) X...
6	PE030194PVD		PROFESSIONAL WARMING DRAWER HANDLE (VEWD163) X...
7	PE010142		3 LOGO XBKXXCHROME
7	PE010143		3 LOGO BK/BR
7	PE010144		3 LOGO XWHXCHROME
7	PE010145		LOGO - WH / BR
8	PD030006		CAPPED WASHER PAL NUT
9	PE030001		BRACKET, DOOR, HANDLE
9	PE030001PVD		END CAP DOOR HANDLE XBR
10	PE050023		OVEN IND. LIGHT (LENS & BEZEL)
11	PA010072		MOISTURE SELECTOR KNOB XBKX (VEWD)
11	PA010073		MOISTURE SELECTOR KNOB XWHX (VEWD)
12	G30013431		DOOR SLIDE ASSY (VEWD103/163)
NI	G32013439AL		36 DOOR ASSEMBLY XALX (VEWD163)
NI	G32013439ALBR		36 DOOR ASSEMBLY XALXBRX (VEWD163)
NI	G32013439BK		36 DOOR ASSEMBLY XBKX (VEWD163)
NI	G32013439BKBR		36 DOOR ASSEMBLY XBKXBRX (VEWD163)
NI	G32013439BT		36 DOOR ASSEMBLY XBTX (VEWD163)
NI	G32013439BTBR		36 DOOR ASSEMBLY XBTXBRX (VEWD163)
NI	G32013439BU		36 DOOR ASSEMBLY XBUX (VEWD163)
NI	G32013439BUBR		36 DOOR ASSEMBLY XBUXBRX (VEWD163)
NI	G32013439CB		36 DOOR ASSEMBLY XCBX (VEWD163)
NI	G32013439CBBR		36 DOOR ASSEMBLY XCBXBRX (VEWD163)
NI	G32013439EP		36 DOOR ASSEMBLY XEPX (VEWD163)
NI	G32013439EPBR		36 DOOR ASSEMBLY XEPXBRX (VEWD163)
NI	G32013439FG		36 DOOR ASSEMBLY XFGX (VEWD163)
NI	G32013439FGBR		36 DOOR ASSEMBLY XFGXBRX (VEWD163)
NI	G32013439GG		36 DOOR ASSEMBLY XGGX (VEWD163)
NI	G32013439GGBR		36 DOOR ASSEMBLY XGGXBRX (VEWD163)
NI	G32013439LE		36 DOOR ASSEMBLY XLEX (VEWD163)
NI	G32013439LEBR		36 DOOR ASSEMBLY XLEXBRX (VEWD163)
NI	G32013439MJ		36 DOOR ASSEMBLY XMJX (VEWD163)
NI	G32013439MJBR		36 DOOR ASSEMBLY XMJXBRX (VEWD163)
NI	G32013439SG		36 DOOR ASSEMBLY XSGX (VEWD163)
NI	G32013439SGBR		36 DOOR ASSEMBLY XSGXBRX (VEWD163)
NI	G32013439SS		36 DOOR ASSY (VEWD163)
NI	G32013439SSBR		36 DOOR ASSEMBLY XSSXBRX (VEWD163)
NI	G32013439VB		36 DOOR ASSEMBLY XVBX (VEWD163)
NI	G32013439VBBR		36 DOOR ASSEMBLY XVBXBRX (VEWD163)
NI	G32013439WH		36 DOOR ASSEMBLY XWHX (VEWD163)
NI	G32013439WHBR		36 DOOR ASSEMBLY XWHXBRX (VEWD163)
NI	PD950012	1	STRIKE PANEL ACCESS

Ref #	Part Number	Qty.	Description
NI	PD950012	1	STRIKE PANEL ACCESS
NI	PD950013	1	LATCH PANEL ACCESS