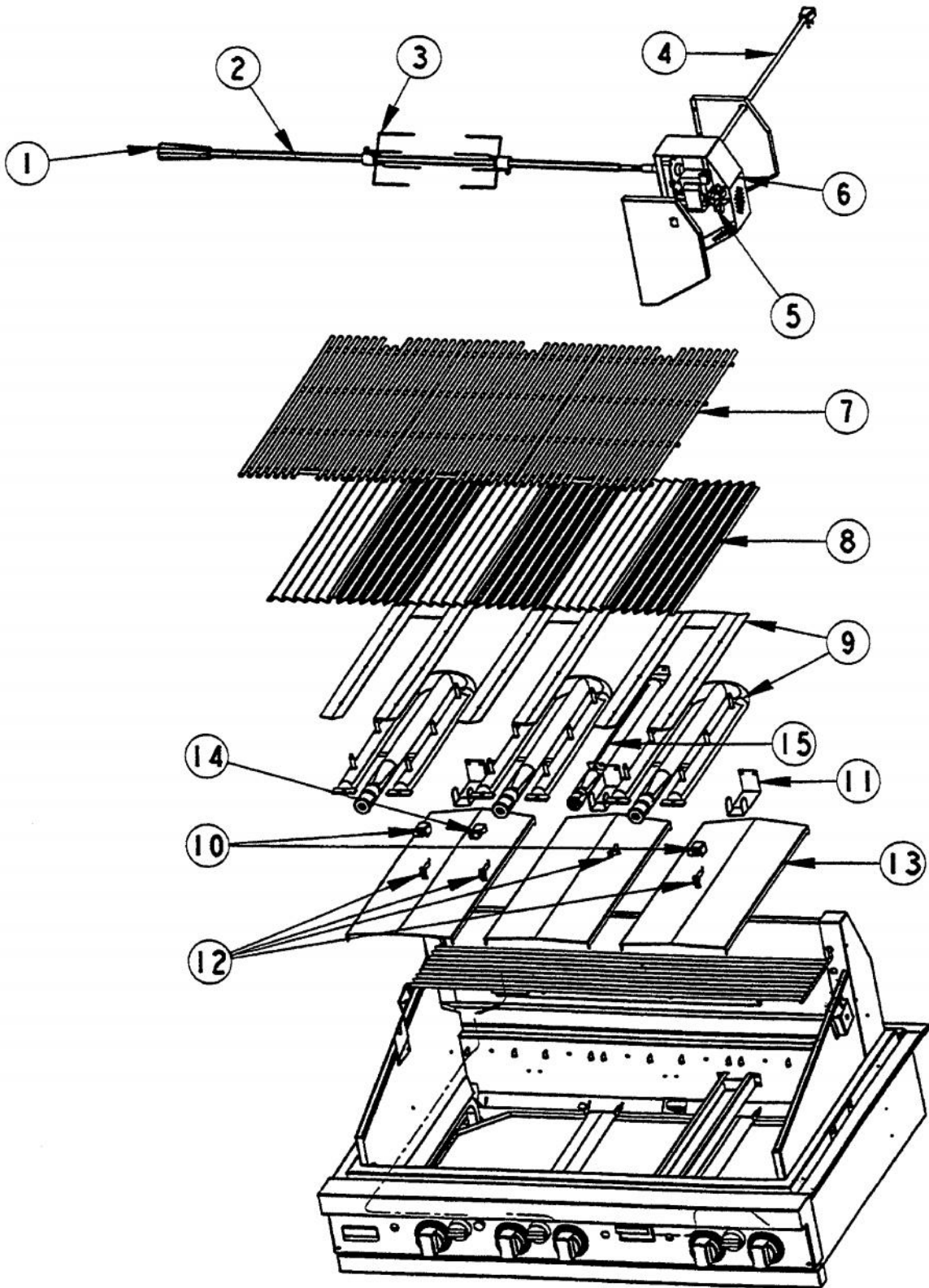
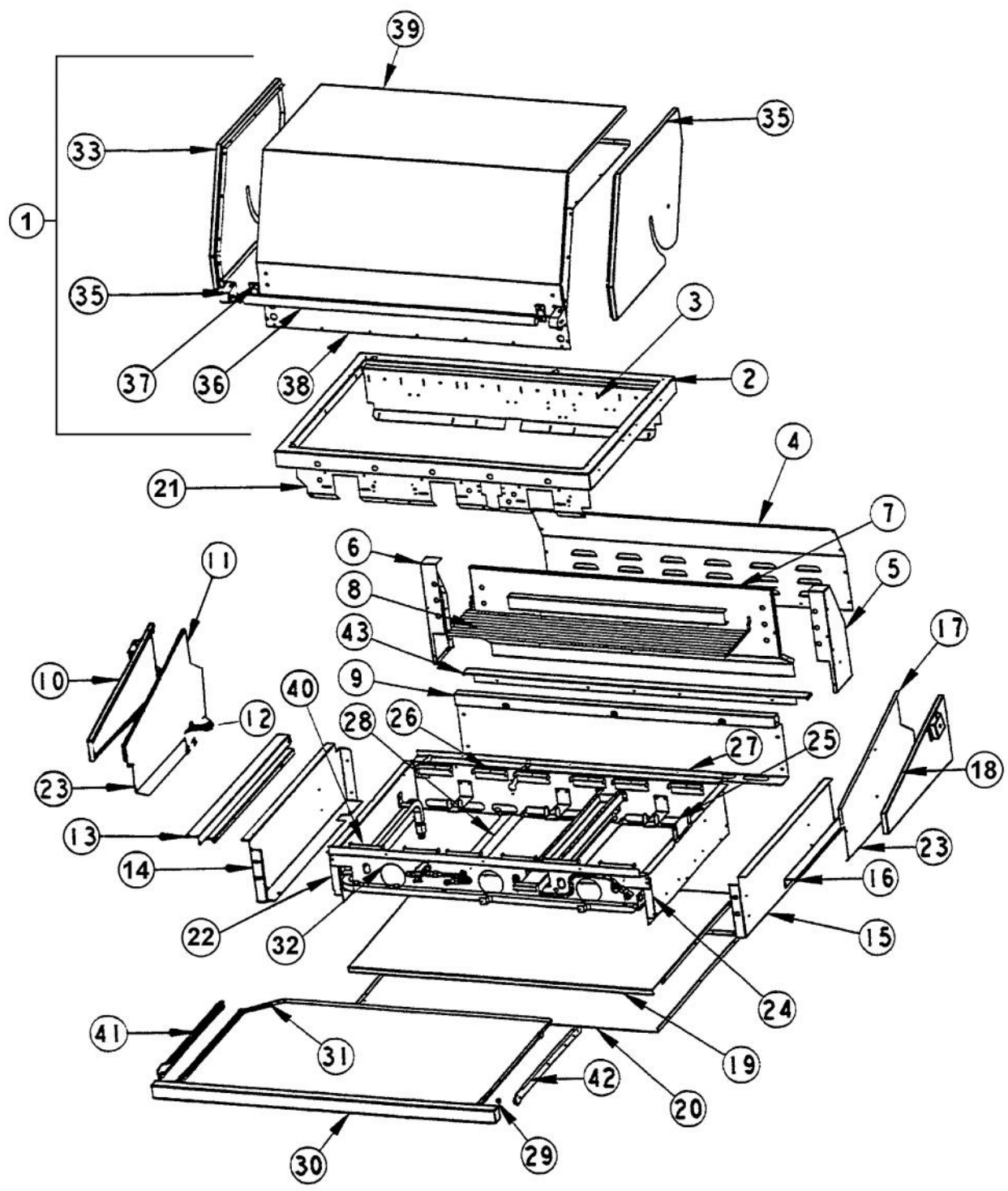


# *Functional Parts*

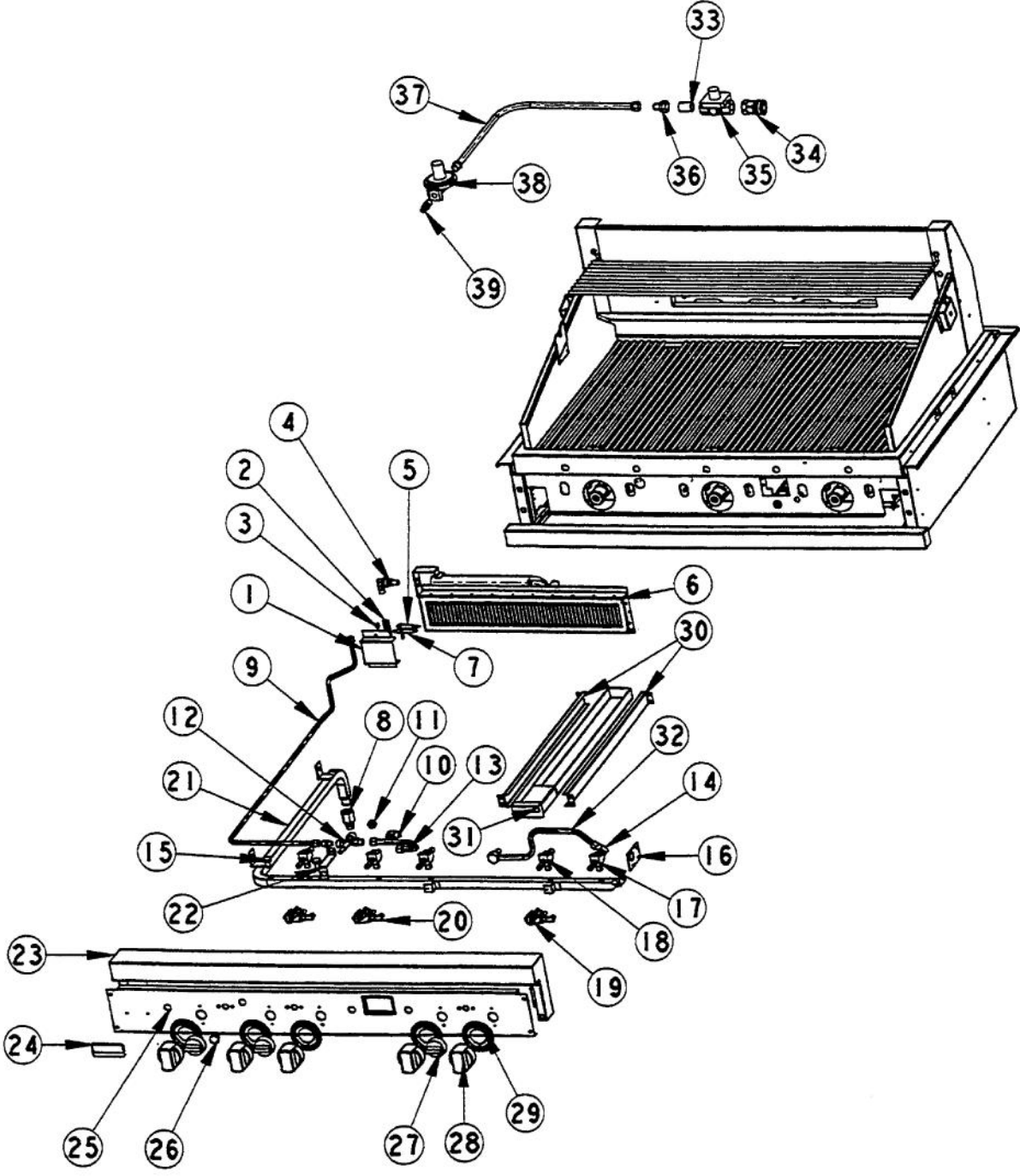
Ref #	Part Number	Qty.	Description
1	G5004577		SSX GRILL BURNER ASSY
2	G3204910		ROTIS MOTOR REPL G3203346
3	PA020023		DUAL OUTPUT IGNITION SWITCH-(VGBQ) 1691-04
4	PA010078		GRILL VALVE - L.P.
5	PA010077		GRILL VALVE (NAT.)
6	G5004200		LIGHTING WAND ASSY (VGBQ)
7	G3103322		IR ASSY - 36/48/60 BBQ GRILL
8	PB010158		SAFETY VALVE -(IR) (BBQ GRILL)
9	PA010030		GRILL VALVE-(VGRT)
10	PB040122		IGNITOR FOR (BBQ GRILL) (1647-89)
11	PE070189		ELECTRICAL SUPPLY CORD - BBQ GRILL
12	G3004937		REGULATOR ASSY - L.P. W/HOSE
13	G3004936		REGULATOR ASSY - NAT (P1 GRILL)
14	PE070184		ROTISSERIE MOTOR
15	PA020022		SINGLE OUTPUT IGNITION SWITCH-(VGBQ (1691.06)
16	PB050058		PHASE 1 SMOKER BURNER



Ref #	Part Number	Qty.	Description
1	PE030039		SPIT HANDLE (ROT. BBQ GRILL)
2	PB060031		SPIT ROD
3	PB060058		SPIT FORK
4	PE070189		ELECTRICAL SUPPLY CORD - BBQ GRILL
5	PE070184		ROTISSERIE MOTOR
6	G3204910		ROTIS MOTOR REPL G3203346
7	PB060049		COOKING GRIDS REPL PB060028
8	PK010143		FLAVOR GRIDS
9	G5004577		SSX GRILL BURNER ASSY
10	B2003273		IGNITOR COVERS (VGBQ)
11	B2004922		REAR BURNER BRACKET (P1 GRILL)
12	PB040122		IGNITOR FOR (BBQ GRILL) (1647-89)
13	B2003270		BURNER DRIP SHIELD (VGBQ)
14	B2003546		IGNITOR COVER LH (VGBQ)
15	PB050058		PHASE 1 SMOKER BURNER
NI	PD020055		NO.10 X 1/2 PAN PHIL. TEK. SS
NI	PD030050		10-24 CAGE NUT SS
NI	PD020062		NO.8-32 X 3/8 PHMS TYPE 1
NI	000645-000		ENCLOSURE FUEL CATCH - LH
NI	000646-000		ENCLOSURE FUEL CATCH - RH



Ref #	Part Number	Qty.	Description
1	G3204916FG		CANOPY ASSY 41/532 (P1 GRILL) XFGX
1	G3204916FGBR		CANOPY ASSY 41/532(P1 GRILL)XFGXBRX
1	G3204916GG		CANOPY ASSY 41/532 (P1 GRILL) XGGX
1	G3204916GGBR		CANOPY ASSY 41/532(P1 GRILL)XGGXBRX
1	G3204916SS		CANOPY ASSY 41/532 P1 REPL.B2003336
1	G3204916SSBR		CANOPY ASSY 41/532(P1 GRILL)XSSXBRX
1	G3204916VB		CANOPY ASSY 41/532 (P1 GRILL) XVBX
1	G3204916VBBR		CANOPY ASSY 41/532(P1 GRILL)XVBXBRX
2	B2004233		GRILL BASE VGBQ5323RN REPL G3003262
3	B2004904		REAR SHIELD - 41 (P1 GRILL)
4	B2003331		REAR COVER BBQ GRILL 48
5	B3003320		IR SUPT END RH - BBQ GRILL
6	B3003321		IR SUPT END LH - BBQ GRILL
7	G9103313		IR HOUSING ASSY-48/36 BBQ GRILL
8	PB060027		WARMING RACK
9	B2004929		REAR PANEL - 30 (P1 GRILL)
10	G3003303		O/S WINDSHIELD LH-BBQ GRILL
11	B2004958		INSIDE WINDSHIELD LH
12	B2003307		ROTIS SADDLE - BBQ GRILL
13	B2004926		GRILL SIDE TRIM - LH (P1 GRILL)
14	B2003242		SIDE PANEL LH BBQ GRILL 48
15	B2003241		SIDE PANEL RH BBQ GRILL 48
16	B2004925		GRILL SIDE TRIM - RH (P1 GRILL)
17	B2004957		INSIDE WINDSHIELD RH
18	G3003302		O/S WINDSHEILD RH-BBQ GRILL
19	B2003223		BTM INSUL. SHIELD BBQ GRILL 36
20	B2003222		BURNER BOX BTM BBQ GRILL 36
21	B2004938		FRONT SHIELD 4S03R (P1 GRILL)
22	B2004908		BURNER BOX SIDE LH (P1 GRILL)
23	B2004955		SIDE SHIELD R/H & L/H
24	B2004907		BURNER BOX SIDE RH (P1 GRILL)
25	B2003306		ROTIS MOUNTING BRKT-BBQ
26	B2004924		REAR FLAVOR GRID SUPPORT (P1 GRILL)
27	B2003224		REAR SUPT BBQ GRILL 36
28	B2003791		CENTER SHIELD (VGBQ)
29	PD040004		GROMMET BUMPER
30	B3003231		DRIP TRAY HANDLE BBQ GRILL 41
NI	PD020078		NO.10-24 X 1/2 PH.TR. M.S.XSSX NYLOK
31	G3103286		DRIP TRAY/ASSY-41 BBQ REP G3104215
32	B2003225		FRONT SUPT BBQ GRILL 36
33	B2004919		CANOPY END LH (P1 GRILL)
34	B2004918		CANOPY END RH (P1 GRILL)
35	PE030001		BRACKET, DOOR, HANDLE
35	PE030001PVD		END CAP DOOR HANDLE XBR
36	PE030040		DOOR/CNPY HDNLE - RPLCS PE930090
36	PE030044PVD		CNPY HDLE 41/53 PVD F0005408
NI	PD020069		CAP SCREW 1/4-20 X 3/4 SS
37	PD040010		DOOR HANDLE SPACER
38	B2004920		CANOPY HEAT SHIELD (P1 GRILL)
39	B2004917		CANOPY 41/53 (P1 GRILL)
39	B9004917FG		CANOPY BODY XFGX (P1 GRILL) 41/532
39	B9004917GG		CANOPY BODY XGGX (P1 GRILL) 41/532
39	B9004917VB		CANOPY BODY XVBX (P1 GRILL) 41/532
40	B2004923		FRONT BURNER BRACKET (P1 GRILL)
41	PK000007		DRIP TRAY GUIDE - LH (VGRT)
42	PK000008		DRIP TRAY GUIDE - RH
NI	PC040014		POP RIVOT-SS42 SS



Ref #	Part Number	Qty.	Description
1	B2003319		THERMOCOUPLE / IGN. COVER-BBQ GRILL
2	B2003318		THERMOCOUPLE / IGN. BKT. -BBQ GRILL
3	PD030048		THERMOCOUPLE NUT M08-VGBQ-8743300007
4	PB040144		ORIFICE BURNER 90D 15IR NO.52 HD RED
4	PB040145		LP IR ELBOW VGBQ NO.62 HD BLACK
5	PB010162		THERMOCOUPLE - BBQ GRILL W/ ROTIS
6	G3103322		IR ASSY - 36/48/60 BBQ GRILL
7	PB040122		IGNITOR FOR (BBQ GRILL) (1647-89)
8	PB040167		MALE COUPLER (PHASE 1 GRILL)
NI	PE070233		GRILL IGNITER WIRE
9	PB020096		48 5/16 S.S. FLEX TUBING REPL F2003505
10	PB040129		FTG.-ELBOW, 1/8NPT-5/16C.C.
11	PD030049		SAFTY VALVE NUT M12-VGBQ-8743300010
12	PB010158		SAFETY VALVE -(IR) (BBQ GRILL)
13	PB020087		SAFETY VALVE TUBING
14	PB040150		3/8 CC TO 3/8 - 27 ELBOW
15	PA010012		ROPER PLUG
16	B1001138		MANIFOLD BRKT XSSX (VGBQ)
17	PA010030		GRILL VALVE-(VGRT)
18	PA010077		GRILL VALVE (NAT.)
18	PA010078		GRILL VALVE - L.P.
19	PA020023		DUAL OUTPUT IGNITION SWITCH-(VGBQ) 1691-04
20	PA020022		SINGLE OUTPUT IGNITION SWITCH-(VGBQ) (1691.06)
21	PA050060		UNIVERSAL MANIFOLD 41
22	B2003261		VALVE BRKT - BBQ GRILL W/ ROTIS.
23	G3003227		LANDING LEDGE ASSY - 36 BBQ GRILL
24	PE010142		3 LOGO XBKXXCHROME
24	PE010143		3 LOGO BK/BR
NI	PD030006		CAPPED WASHER PAL NUT
25	B9203230		CTRL PAN (VGBQ4103R) XSLK SCRX
26	PB010159		SAFETY VALVE KNOB
27	PB010156		IGNITION SWITCH KNOB (BBQ GRILL) 1390-16
28	PA010039		TOP GRILL KNOB XBKX (VGRC) (N/STYLE
29	PB010208		BEZEL, CHROME PLATE
29	PB010209		BEZEL BRASS
30	B2003340		SMOKER TRAY SUPTS (VGBQ)
31	G3203341		SMOKER TRAY ASSY - (VGBQ)
32	PB020081		SMOKER TUBING (P1 GRILL)
33	PB040046		1/2 CLOSE NIPPLE (VGSO166)
34	PB040166		FEMALE COUPLER (PHASE 1 GRILL)
35	PA070006		PRESSURE REGULATOR - NATURAL
35	PA070005		PRESSURE REG.(LP) RV47L-77-10.0
36	PB040146		1/2 X 3/8 FLARE ADAPTER (VGBQ)
37	PB020227		HIGH PRESSURE LP HOSE
38	PA070007		LP TANK REGULATOR (VGBQ)
39	PB040147		5LPA-10C PLUG (VGBQ LP)
NI	G3004936		REGULATOR ASSY - NAT (P1 GRILL)
NI	G3004937		REGULATOR ASSY - L.P. W/HOSE
NI	G5004200		LIGHTING WAND ASSY (VGBQ)
NI	PB080002		BROILER PAN
NI	PB080003		BROILER PAN TRAY (KRA2)
NI	PE070233		GRILL IGNITER WIRE
NI	G4004963		WIRING IR BURNER BBQ60