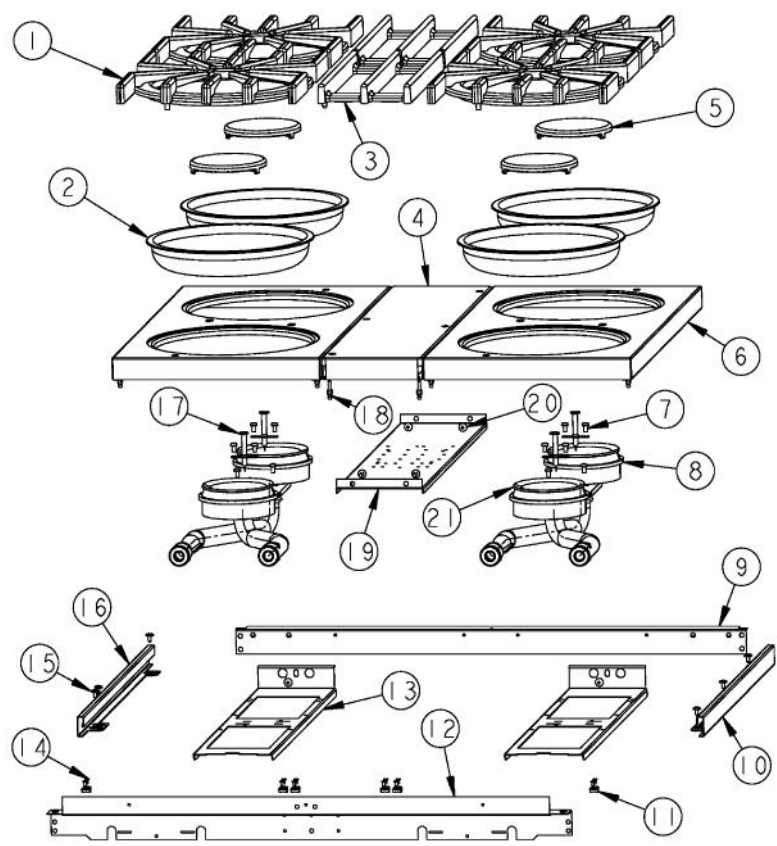
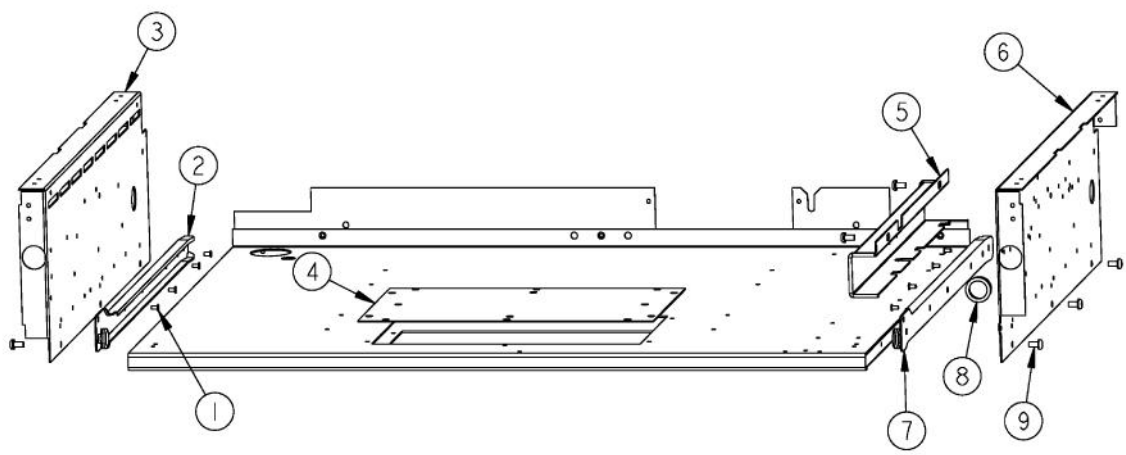


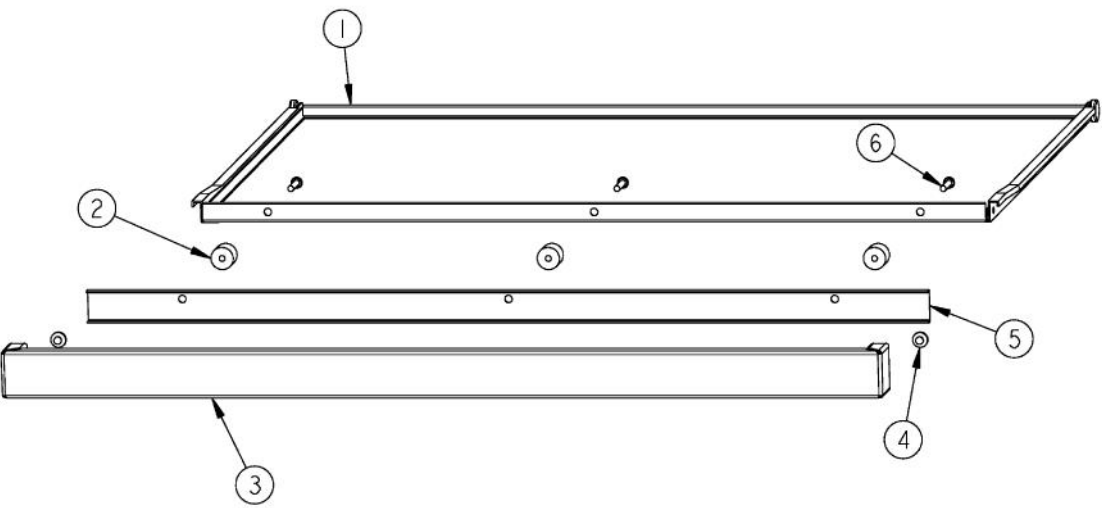
| Ref # | Part Number | Qty. | Description |
|-------|-------------|------|--|
| 1 | G3001406 | | LANDING LEDGE ASSY |
| 2 | PA010012 | | ROPER PLUG |
| 3 | PA070001 | | PRESSURE REGULATOR (NAT.) |
| 4 | PA010157 | | SUB TO 003515-000 - RANGE TOP BURNER VALVE |
| 5 | 000336-000 | | ELECTRONIC THERMOSTAT - 2 POS. |
| 6 | PA020058 | | IRIS SINGLE SPARK MODULE |
| 7 | PB030007 | | SHUT OFF VALVE |
| 8 | PD010003 | | 10-24 X 1/2 PH.TR.HD.SERD.M.S. |
| 9 | PD020002 | | 10 X 1/2 PH.TR.HD.SMS. |
| 10 | PD040005 | | SNAP BUSHING - 7/8 |
| 11 | A1001138 | | MANIFOLD BRKT |
| 12 | PA050113 | | MANIFOLD |
| 13 | PD030006 | | CAPPED WASHER PAL NUT |
| 14 | PD030005 | | SELF RETAINING NUT |
| 15 | PE010081 | | CONVECTION-LABEL/PLATE (CHROME) |
| 15 | PE010082 | | CONVECTION-LABEL/PLATE (XBRX) |
| 16 | PB010208 | | BEZEL, CHROME PLATE |
| 16 | PB010209 | | BEZEL BRASS |
| 17 | PB010206 | | VGSC,VGRC,VGRT TOP BURNER KNOB(BK) |
| 17 | PB010207 | | VGSC,VGRC,VGRT TOP BURNER KNOB(WH) |
| 18 | PD020044 | | NO.8-32 X 1/4 PH. TR. HD. M.S. |
| 19 | 000447-000 | | THERMOSTAT KNOB SELF-CLEAN (BK) |
| 19 | 000447-006 | | OVEN KNOB WITH BROIL(WH) |
| 20 | PE050023 | | OVEN IND. LIGHT (LENS & BEZEL) |
| 21 | PD020046 | | NO.8 X 1/2 SCREWS |
| 22 | PE050016 | | OVEN LIGHT SWITCH - XBKX (WES-GAR) |
| 22 | PE050017 | | OVEN LIGHT SWITCH - XWHX (WES-GAR) |
| 23 | PD020033 | | SRW-NO.10-24X1/2T(23)PH.WFR HD (NKL) |
| 24 | B9202840 | | CTRL PAN VGSC305-4B REPL B9201791 |
| 25 | PD010012 | | VALVE BOLT 1/4-20 UNC-2B 5/16 M.S. |
| 26 | PE050024 | | OVEN IND. LIGHT (LIGHT HOUSING) |



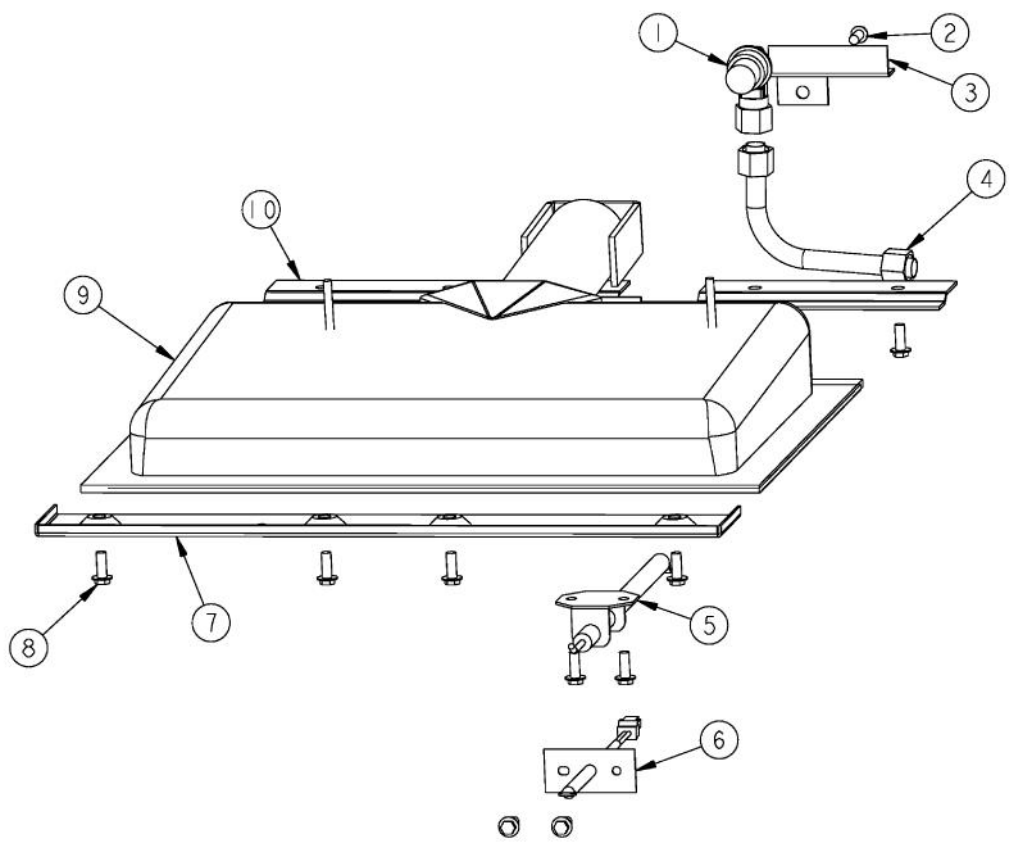
| Ref # | Part Number | Qty. | Description |
|-------|-------------|------|------------------------------------|
| 1 | PA060037 | | GRATE BK REPL PA060024 (GEN.NO.2) |
| 2 | PA030002BK | | BURNER BOWL (VGRT) XXBKXX |
| 2 | PA030002WH | | BURNER BOWL (VGRT) XXWHXX |
| 3 | PA060049 | | CENTER GRATE - MATT BK |
| 4 | E9104416BK | | CENTER SPACER (VGSC306) XBKX |
| 4 | E9104416WH | | CENTER SPACER (VGSC306) XWHX |
| 5 | PA080015 | | BURNER CAP-VGRT XBKX |
| 6 | G50013584BK | | GRATE SUPPORT SERVICE KIT (BK) |
| 6 | G50013584WH | | GRATE SUPPORT SERVICE KIT (WH) |
| 7 | PD020004 | | 10X3/8PH.HD.TYPE 25 REPL PD040125 |
| 8 | PA080036 | | TOP BURNER REAR REPL PA080008 |
| 9 | A2004456 | | REAR BURNER SUPT. (VGSC306) |
| 10 | B2002345 | | SIDE TRIM - RH (VGSS) |
| 10 | C9302345BR | | SIDE TRIM - RH (VGSS) XBRX |
| 11 | PD010016 | | BALL STUD FASTEN |
| 12 | 001530-000 | | FRONT BURNER SUPPORT |
| 13 | A2001112 | | BURNER SUPT (VGRT) |
| 14 | PC040010 | | POP RIVET |
| 15 | PD020032 | | SRW-8(A)X3/8PH.WFR HD 7/16DIAXNICL |
| 16 | B2002346 | | SIDE TRIM - LH (VGSS) |
| 16 | C9302346BR | | SIDE TRIM - LH (VGSS) XBRX |
| 17 | PA020028 | | SPARK IGNITER |
| 18 | PD010017 | | BALL STUD (VGRT) |
| 19 | 003107-000 | 1 | CENTER SUPPORT |
| 20 | PD010003 | | 10-24 X 1/2 PH.TR.HD.SERD.M.S. |
| 21 | PA080037 | | TOP BURNER FRONT REPL PA080007 |



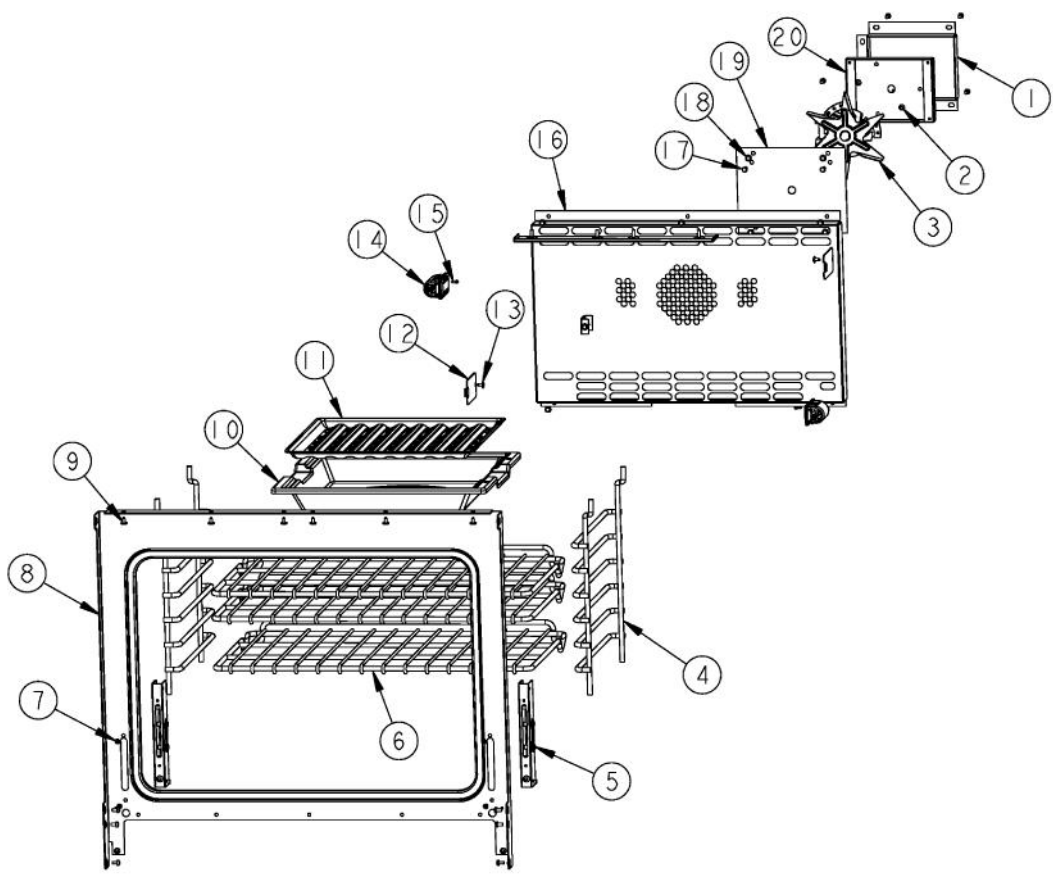
| Ref # | Part Number | Qty. | Description |
|-------|-------------|------|-----------------------------------|
| 1 | PC040010 | | POP RIVET |
| 2 | PK000007 | | DRIP TRAY GUIDE - LH (VGRT) |
| 3 | A2002491 | | BURNER BOX SIDE LH (VDSC) |
| 4 | A1006344 | | DOOR LOCK ACCESS PANEL 48 |
| 5 | A2000210 | | WIRE CHANNEL |
| 6 | A2002490 | | BURNER BOX SIDE RH (VDSC) |
| 7 | PK000008 | | DRIP TRAY GUIDE - RH |
| 8 | PD040005 | | SNAP BUSHING - 7/8 |
| 9 | PD020004 | | 10X3/8PH.HD.TYPE 25 REPL PD040125 |



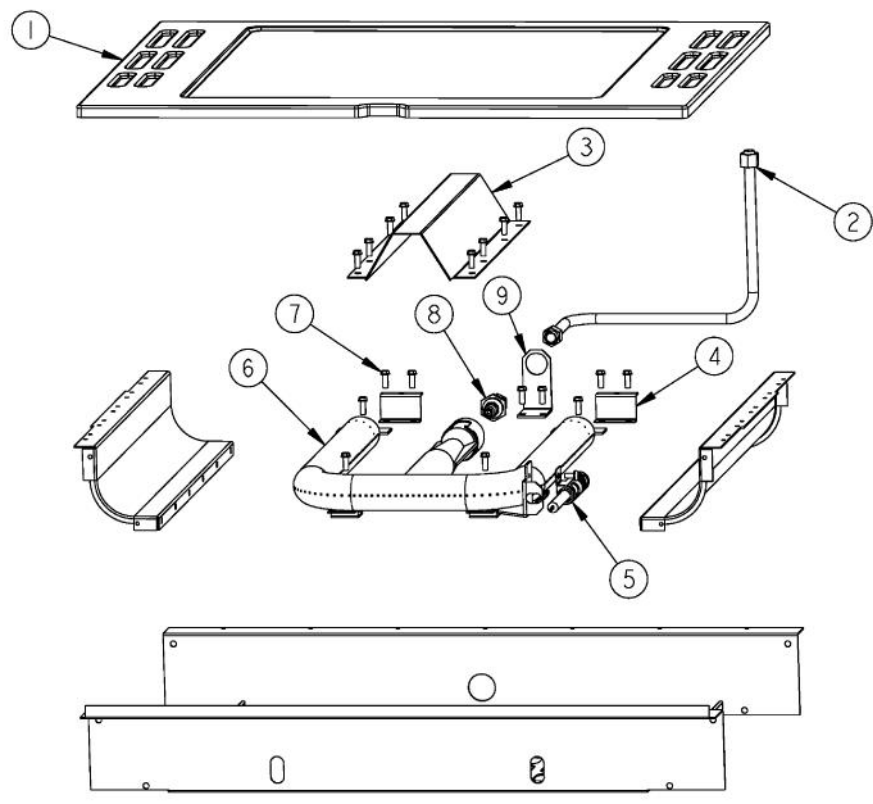
| Ref # | Part Number | Qty. | Description |
|-------|--------------|------|--------------------------------------|
| 1 | G30010454 | | 30 DRIP TRAY ASSY |
| 2 | PD040028 | | BUSHING(.194ID/.750OD/.750LONG) |
| 3 | G30010695 | | DRIP TRAY HANDLE ASSY 30 |
| 3 | G93011458PVD | | DRIP TRAY HANDLE ASSY 30 PVD |
| 4 | PD040004 | | GROMMET BUMPER |
| 5 | A20010691 | | DRIP TRAY HANDLE BACK 30 |
| 6 | PD020079 | | NO.10 X 1 1/4 PH. PAN HD. T(A) NYLOK |



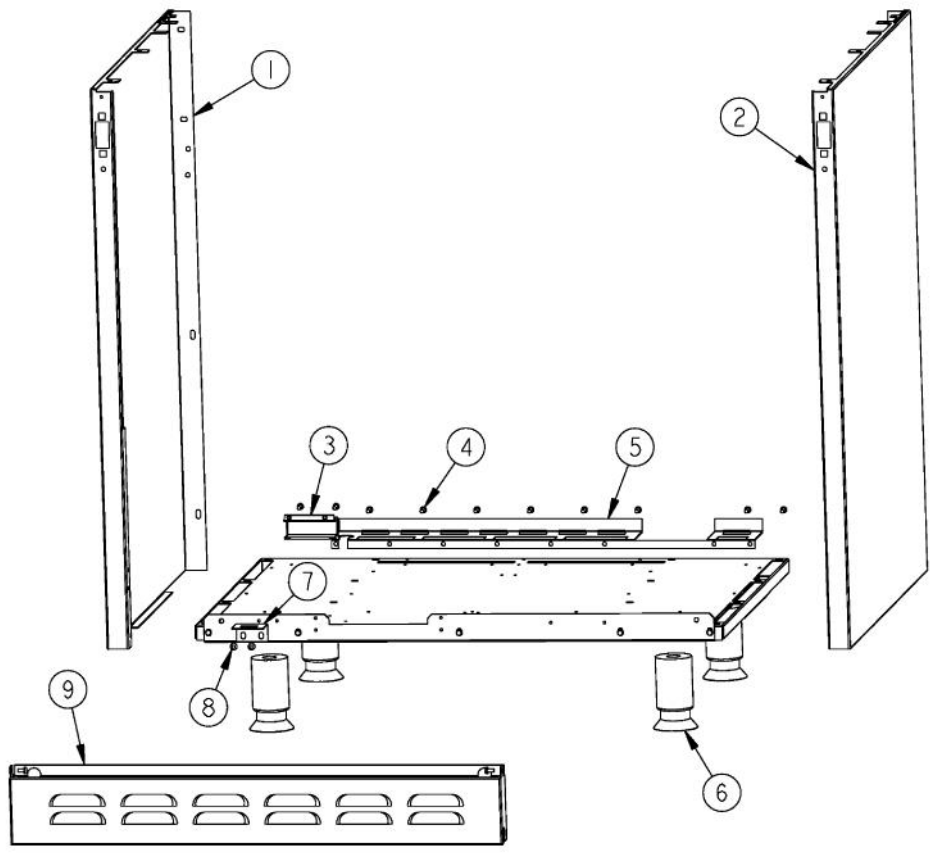
| Ref # | Part Number | Qty. | Description |
|-------|-------------|------|-------------------------------------|
| 1 | PB040178 | | 90 DEGREE ORIFICE FITTING (VGSC306) |
| 2 | PD020060 | | 10 X 1/2 (5/16)HEX WSHR HD.(T)A |
| 3 | 001348-000 | | BROIL INSULATION RETAINER |
| 4 | 000921-000 | | 3/8 ALUM TUBING ELBOW |
| 5 | PB040171 | | BROIL IGNITION ELECTRODE |
| 6 | PE050206 | | RTD THERMOSTAT PROBE |
| 7 | B2002261 | | FRONT I/R BROILER SUPPORT BRACKET |
| 8 | PD020048 | | NO.10 X 1/2 TEK 410 SS SCREW |
| 9 | G3001876 | | IR BURNER ASSY (VGSC/RC) N/S |
| 10 | B2005589 | | REAR BROILER BRACKET |



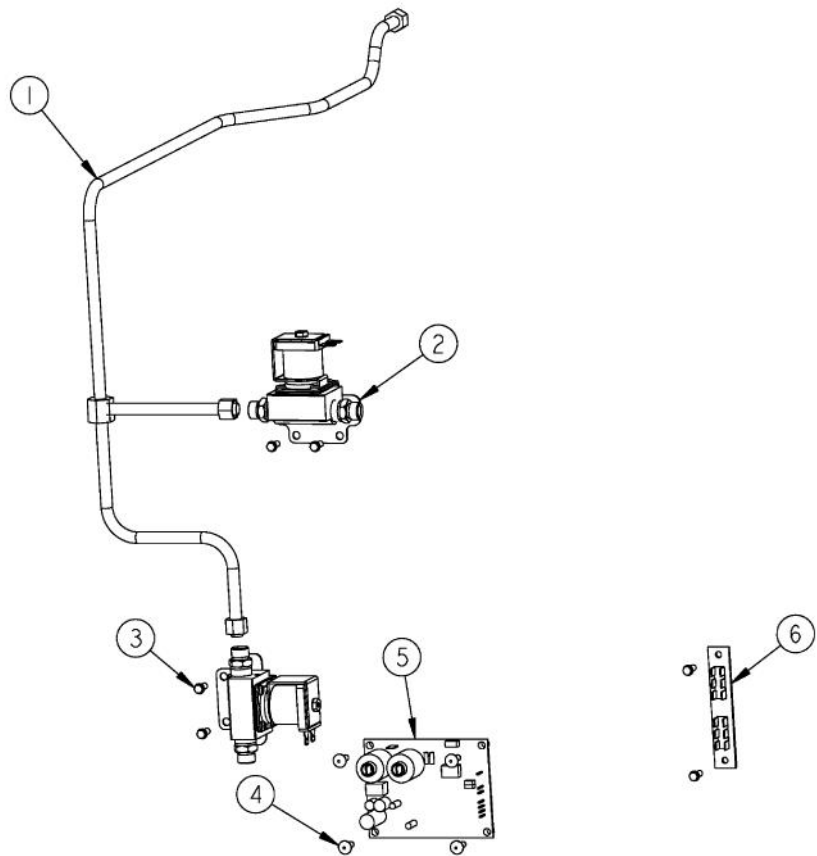
| Ref # | Part Number | Qty. | Description |
|-------|-------------|------|--------------------------------------|
| 1 | A2008467 | | INSULATION SHIELD |
| 2 | PD020004 | | 10X3/8PH.HD.TYPE 25 REPL PD040125 |
| 3 | PE050057 | | CONVECTION FAN (VGSC306) |
| 4 | PB060030 | | RACK SUPT REPL PB060010 |
| 5 | PC020295 | | HINGE RECEIVER ASSEMBLY |
| 6 | PB060044 | | OVEN RK VDSC30/48RH REPL PB060019 |
| 7 | PD020062 | | NO.8-32 X 3/8 PHMS TYPE 1 |
| 8 | 001311-000 | | FRONT FRAME 30 ASSY |
| 9 | PD020032 | | SRW-8(A)X3/8PH.WFR HD 7/16DIAXNICL |
| 10 | E9107933 | | BROILER PAN |
| 11 | E9107934 | | BROILER PAN INSERT |
| 12 | E91012614 | | LIGHT HOLE COVER |
| 13 | PD020063 | | SCREW-NO.8(A) X 3/8PH WFR HD/BK OXID |
| 14 | PE050238 | | 120 VOLT SIDE HALOGEN LIGHT |
| 15 | PD020013 | | TYPE AB NO.6 X 3/8 PH PAN HD. SMS |
| 16 | G9104482 | | CONVECTION FAN COVER ASSY (VGSC306) |
| 17 | PD020060 | | 10 X 1/2 (5/16)HEX WSHR HD.(T)A |
| 18 | PD020048 | | NO.10 X 1/2 TEK 410 SS SCREW |
| 19 | A1002596 | | CONVECTION FAN COVER (VDSC) |
| 20 | A2002595 | | CONVECTION FAN BOX (VDSC) |



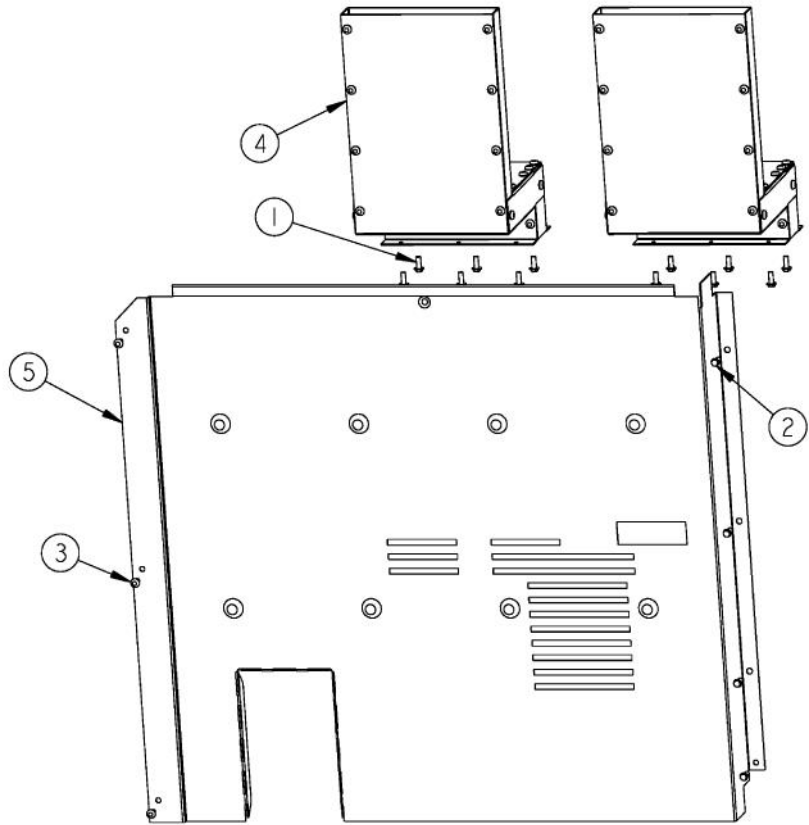
| Ref # | Part Number | Qty. | Description |
|-------|-------------|------|---------------------------------|
| 1 | G9104438 | | OVEN BOTTOM PAN ASSY (VGSC306) |
| NI | A2004439 | 1 | OVEN BOTTOM SHIELD (VGSC306) |
| 2 | 000919-000 | | 3/8 ALUM TUBING |
| 3 | A2004424 | | BURNER COVER (VGSC306) |
| 4 | B2004415 | | BURNER BRACKET (VGSC306) |
| 5 | PB040170 | | BAKE IGNITION ELECTRODE |
| 6 | PB050059 | | BAKE BURNER - NATURAL GAS |
| 7 | PD020060 | | 10 X 1/2 (5/16)HEX WSHR HD.(T)A |
| 8 | PB040172 | | 3/8 X 3/8 ORIFICE FITTING |
| 9 | A2004434 | | ORIFICE BRACKET (VGSC306) |



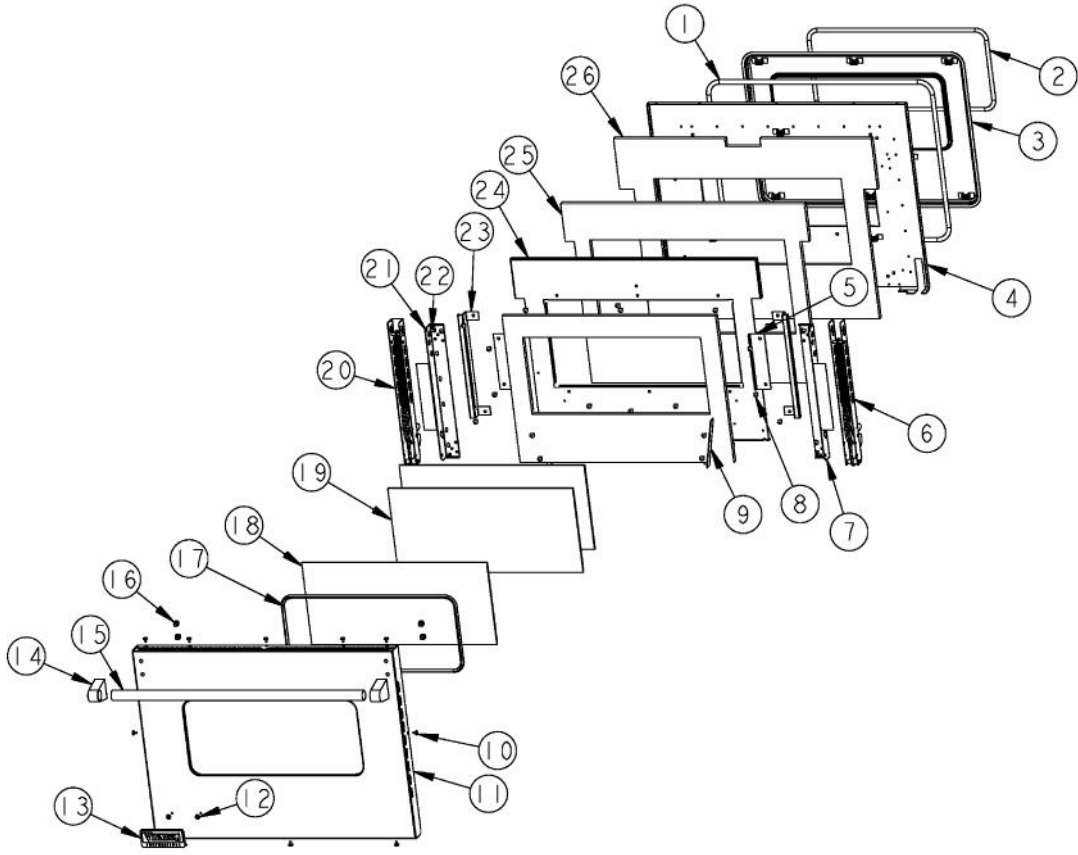
| Ref # | Part Number | Qty. | Description |
|-------|-------------|------|-----------------------------------|
| 1 | B20010180 | | O/S BODY PANEL - LH |
| 1 | C90010180AL | | SIDE PANEL LH XALX |
| 1 | C90010180BK | | SIDE PANEL LH XBKX |
| 1 | C90010180BT | | SIDE PANEL LH XBTX |
| 1 | C90010180BU | | SIDE PANEL LH XBUX |
| 1 | C90010180CB | | SIDE PANEL LH XCBX |
| 1 | C90010180EP | | SIDE PANEL LH XEPX |
| 1 | C90010180FG | | SIDE PANEL LH XFGX |
| 1 | C90010180GG | | SIDE PANEL LH XGGX |
| 1 | C90010180LE | | SIDE PANEL LH XLEX |
| 1 | C90010180MJ | | SIDE PANEL LH XMJX |
| 1 | C90010180SG | | SIDE PANEL LH XSGX |
| 1 | C90010180VB | | SIDE PANEL LH XVBX |
| 1 | C90010180WH | | SIDE PANEL LH XWHX |
| 2 | B20010179 | | O/S BODY PANEL - RH |
| 2 | C90010179AL | | SIDE PANEL RH XALX |
| 2 | C90010179BK | | SIDE PANEL RH XBKX |
| 2 | C90010179BT | | SIDE PANEL RH XBTX |
| 2 | C90010179BU | | SIDE PANEL RH XBUX |
| 2 | C90010179CB | | SIDE PANEL RH XCBX |
| 2 | C90010179EP | | SIDE PANEL RH XEPX |
| 2 | C90010179FG | | SIDE PANEL RH XFGX |
| 2 | C90010179GG | | SIDE PANEL RH XGGX |
| 2 | C90010179LE | | SIDE PANEL RH XLEX |
| 2 | C90010179MJ | | SIDE PANEL RH XMJX |
| 2 | C90010179SG | | SIDE PANEL RH XSGX |
| 2 | C90010179VB | | SIDE PANEL RH XVBX |
| 2 | C90010179WH | | SIDE PANEL RH XWHX |
| 3 | A2004481 | | WIRE CHANNEL RH (VGSC306) |
| 4 | PD020060 | | 10 X 1/2 (5/16)HEX WSHR HD.(T)A |
| 5 | A2004465 | | AIR CHANNEL (VGSC306) |
| 6 | PC030017 | | 4 LEG ASSY |
| 7 | A20012922 | | DISCONNECT POWER BRACKET |
| 8 | PD020004 | | 10X3/8PH.HD.TYPE 25 REPL PD040125 |
| 9 | B2001815 | | LOWER ACC PAN - (VGRC605) |
| 9 | C9001815AL | | LOWER ACC PAN - XALX (VGRC605) |
| 9 | C9001815BK | | LOWER ACC PAN - XBKX (VGRC605) |
| 9 | C9001815BT | | LOWER ACC PAN - XBTX (VGRC605) |
| 9 | C9001815BU | | LOWER ACC PAN - XBUX (VGRC605) |
| 9 | C9001815CB | | LOWER ACC PAN - XCBX (VGRC605) |
| 9 | C9001815EP | | LOWER ACC PAN - XEPX (VGRC605) |
| 9 | C9001815FG | | LOWER ACC PAN - XFGX (VGRC605) |
| 9 | C9001815GG | | LOWER ACC PAN - XGGX (VGRC605) |
| 9 | C9001815LE | | LOWER ACC PAN - XLEX (VGRC605) |
| 9 | C9001815MJ | | LOWER ACC PAN - XMJX (VGRC605) |
| 9 | C9001815SG | | LOWER ACC PAN - XSGX (VGRC605) |
| 9 | C9001815VB | | LOWER ACC PAN - XVBX (VGRC605) |
| 9 | C9001815WH | | LOWER ACC PAN - XWHX (VGRC605) |



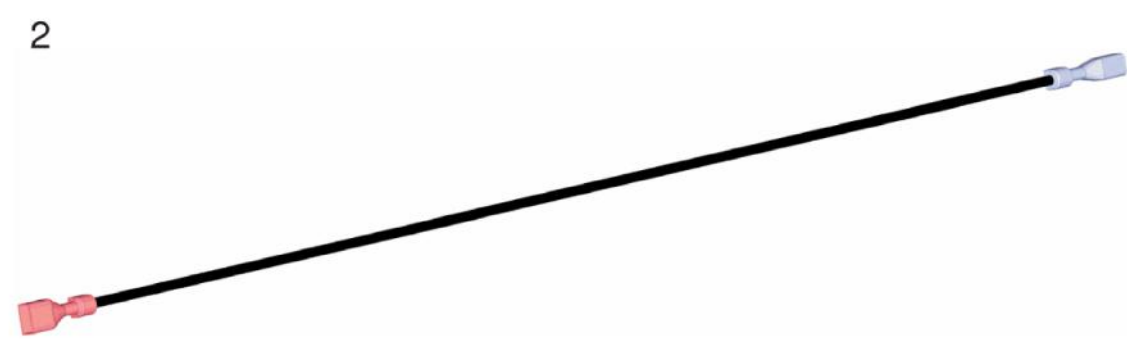
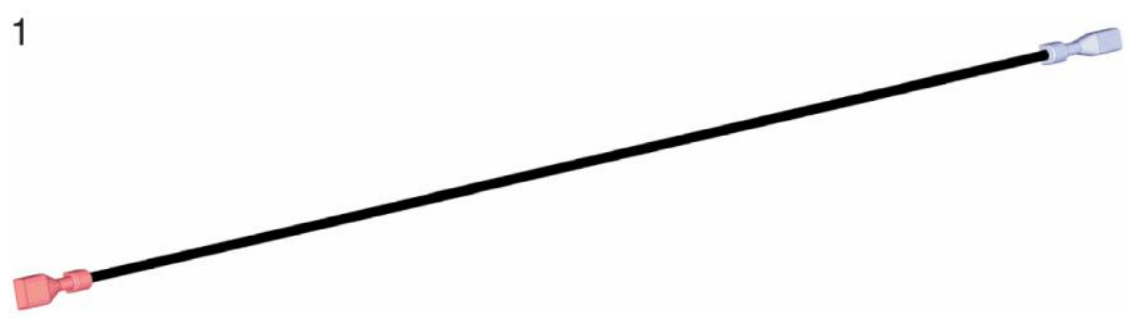
| Ref # | Part Number | Qty. | Description |
|-------|-------------|------|---------------------------------|
| 1 | 001026-000 | | 3/8 MANIFOLD TUBING |
| 2 | PA010139 | | F J T VALVE REPL PA010079 |
| 3 | PD020060 | | 10 X 1/2 (5/16)HEX WSHR HD.(T)A |
| 4 | PD020014 | | 10X3/4 PH TR HD SMS |
| 5 | PA020056 | | TYTRONICS DSI MODULE |
| 6 | PE050001 | | TERMINAL BOARD |



| Ref # | Part Number | Qty. | Description |
|-------|-------------|------|-----------------------------------|
| 1 | PD020048 | | NO.10 X 1/2 TEK 410 SS SCREW |
| 2 | PD020060 | | 10 X 1/2 (5/16)HEX WSHER HD.(T)A |
| 3 | PD020004 | | 10X3/8PH.HD.TYPE 25 REPL PD040125 |
| 4 | 000967-000 | | FLUE ASSY |
| 5 | A2004457 | | OVEN O/S BACK (VGSC306) |

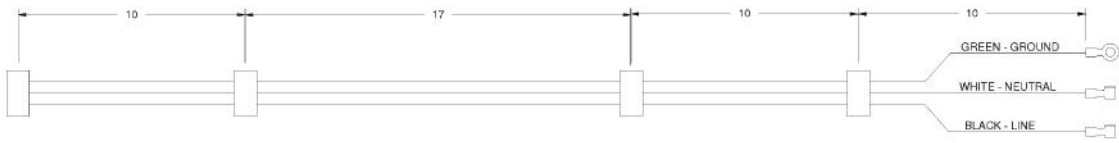


| Ref # | Part Number | Qty. | Description |
|-------|-------------|------|------------------------------------|
| 1 | 000042-000 | | 30 DOOR GASKET |
| 2 | PB070150 | | FIBERGLASS ROPE, 3/8 DIA. |
| 3 | 001142-000 | | PLUG, DOOR, ASM, PORCELAIN |
| 4 | 001141-000 | | LINER, DOOR, ASM, PORCELAIN |
| 5 | A2002189 | | DOOR GLASS STANDOFF (VDSC) |
| 6 | PC020188 | | DOOR HINGE |
| 7 | 000075-000 | | DOOR HINGE BRACKET |
| 8 | PD020002 | | 10 X 1/2 PH.TR.HD.SMS. |
| 9 | A2002497 | | DOOR GUIDE ANGLE VDSC |
| 10 | PD020032 | | SRW-8(A)X3/8PH.WFR HD 7/16DIAXNICL |
| 11 | B2002188 | | O/S DOOR PANEL XSSX (VDSC30) |
| 11 | C9002188AL | | O/S DOOR PANEL-XALX (VDSC30) |
| 11 | C9002188BK | | O/S DOOR PANEL-XBKX (VDSC30) |
| 11 | C9002188BT | | O/S DOOR PANEL-XBTX (VDSC30) |
| 11 | C9002188BU | | O/S DOOR PANEL-XBUX (VDSC30) |
| 11 | C9002188CB | | O/S DOOR PANEL-XCBX (VDSC30) |
| 11 | C9002188EP | | O/S DOOR PANEL-XEPX (VDSC30) |
| 11 | C9002188FG | | O/S DOOR PANEL-XFGX (VDSC30) |
| 11 | C9002188GG | | O/S DOOR PANEL-XGGX (VDSC30) |
| 11 | C9002188LE | | O/S DOOR PANEL-XLEX (VDSC30) |
| 11 | C9002188MJ | | O/S DOOR PANEL-XMJX (VDSC30) |
| 11 | C9002188SG | | O/S DOOR PANEL-XSGX (VDSC30) |
| 11 | C9002188VB | | O/S DOOR PANEL-XVBX (VDSC30) |
| 11 | C9002188WH | | O/S DOOR PANEL-XWHX (VDSC30) |
| 12 | PD030006 | | CAPPED WASHER PAL NUT |
| 13 | PE010016 | | NAMEPLATE, LOGO, PRO |
| 13 | PE010079 | | 4.5 LOGO/VIKING PROF, BK/BR |
| 13 | PE010017 | | LOGO (VGSO,VEDO,VGDO,VUD) XWH/CHR |
| 13 | PE010080 | | 4.5 LOGO/VIKING PROF XWH/BR |
| 14 | PE030001 | | BRACKET, DOOR, HANDLE |
| 14 | PE030001PVD | | END CAP DOOR HANDLE XBR |
| 15 | PE030005 | | DOOR HANDLE - VGSC30/RC60/RC48RH |
| 15 | PE030012PVD | | DOOR HANDLE - RH - (30/48) PVD |
| 16 | PD010019 | | BLT-1/4-20X3/8HEX WASHER SERATED |
| 17 | PE060031 | | J-MOLD (LARGE WINDOW) |
| 17 | PE060045 | | J-MOLD (LARGE WINDOW) XBRX |
| 18 | PE060030 | | GLASS-OUTER DOOR BK SCREENED,TEMP |
| 19 | PE060039 | | GLASS-HEAT TREATED (HB2) VDSC |
| 20 | PC020223 | | DOOR HINGE (LONG SPRING) NSF |
| 21 | 000932-000 | | DOOR HINGE BRACKET |
| 22 | PD020004 | | 10X3/8PH.HD.TYPE 25 REPL PD040125 |
| 23 | A2002367 | | DOOR GLASS BRKT |
| 24 | A20015315 | | DOOR INSULATION RETAINER |
| 25 | 002559-000 | | 30 DOOR INSULATION |
| 26 | PB070145 | | SUPERWOOL 5 X 24 X 3' |



| Ref # | Part Number | Qty. | Description |
|-------|-------------|------|---------------------------------|
| 1 | 000647-000 | | IRIS IGNITOR WIRE, FRONT BURNER |
| 2 | 000648-000 | | IRIS IGNITOR WIRE, BACK BURNER |

1

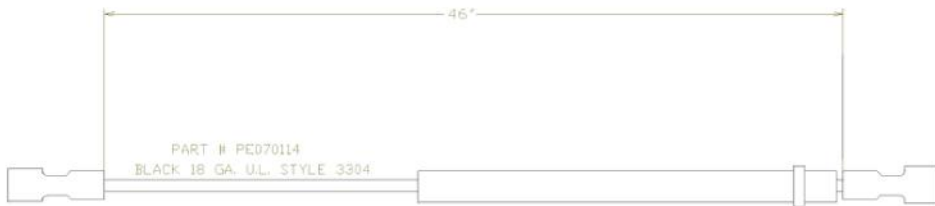


| Ref # | Part Number | Qty. | Description |
|-------|-------------|------|-------------------|
| 1 | PE070889 | | IRIS HARNESS - 30 |

1



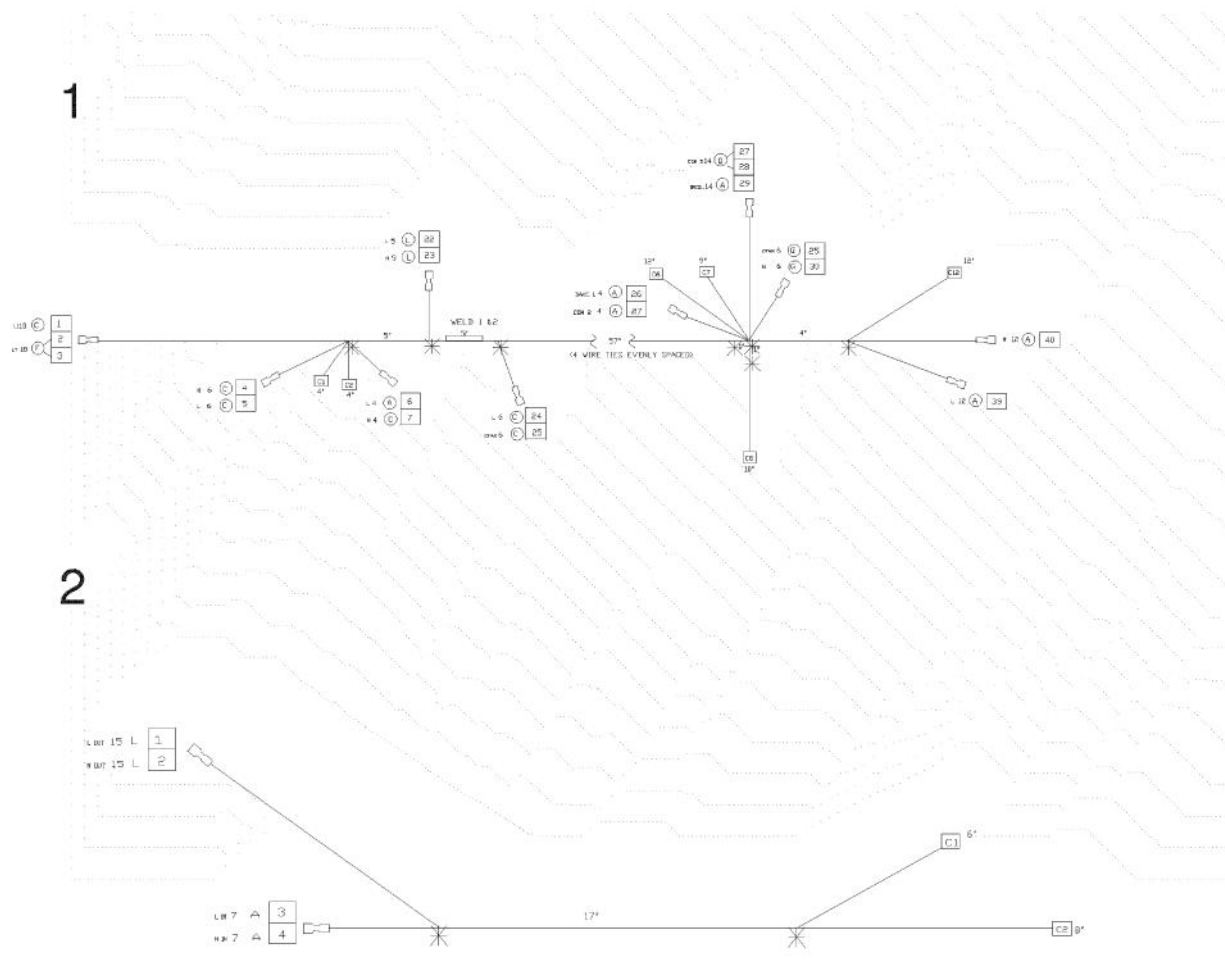
2



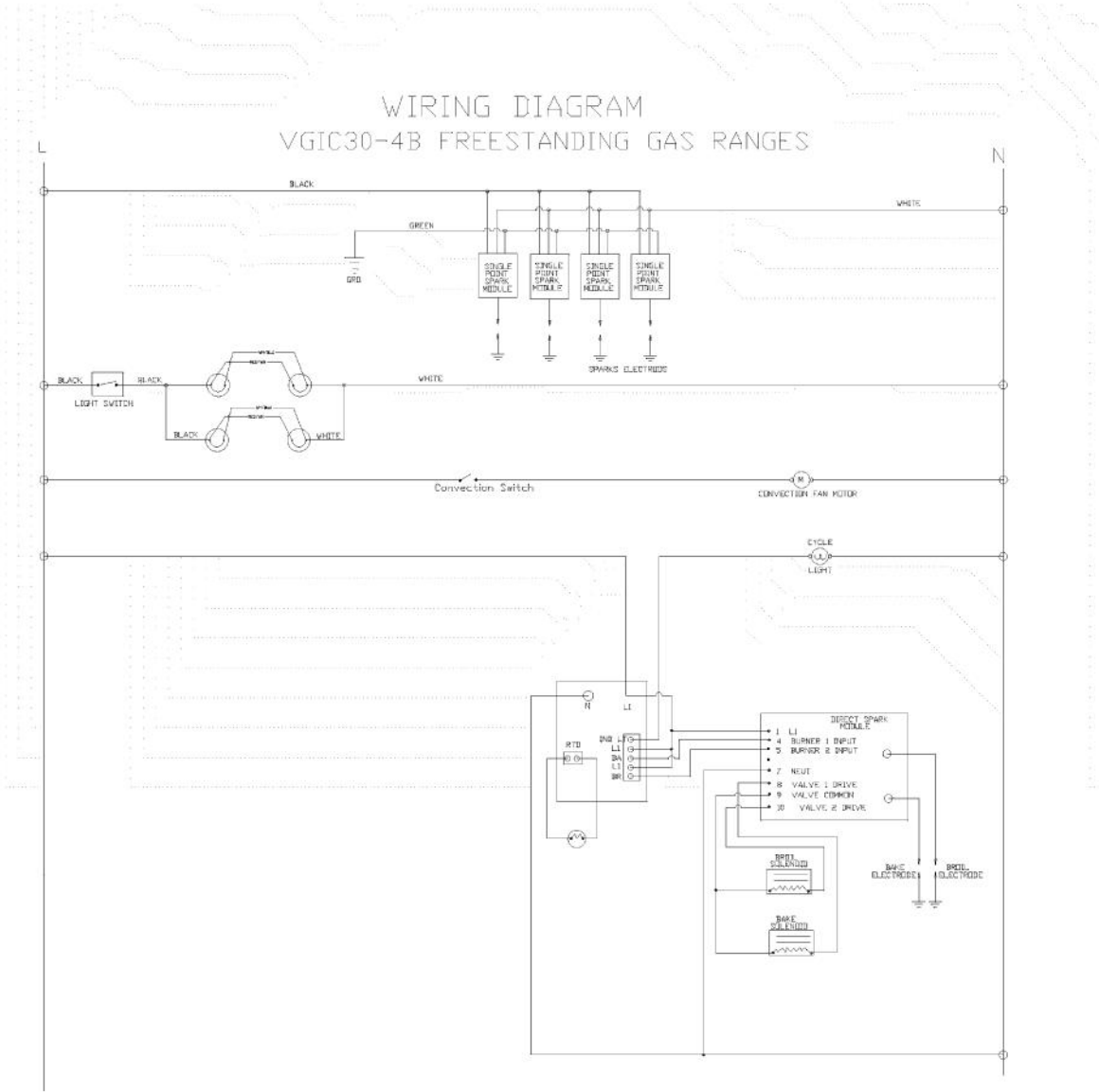
3



| Ref # | Part Number | Qty. | Description |
|-------|-------------|------|---------------------------|
| 1 | G4008493 | | SUPPLY CORD ASSY- VGSU |
| 2 | 001911-000 | | WIRE, ASSY, BAKE IGNITOR |
| 3 | 001914-000 | | WIRE, ASSY, BROIL IGNITOR |



| Ref # | Part Number | Qty. | Description |
|-------|-------------|------|--------------------------|
| 1 | 001502-000 | | VGIC308 WIRE HARNESS |
| 2 | 001754-000 | | HARNESS POWER DISCONNECT |



| Ref # | Part Number | Qty. | Description |
|-------|-------------|------|-------------|
|-------|-------------|------|-------------|
