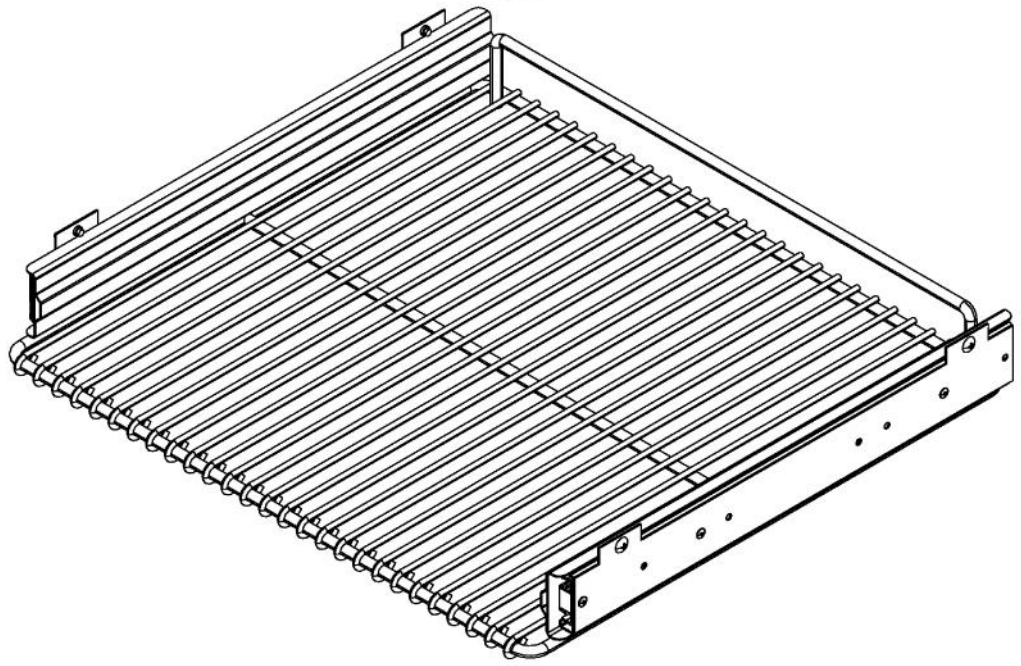
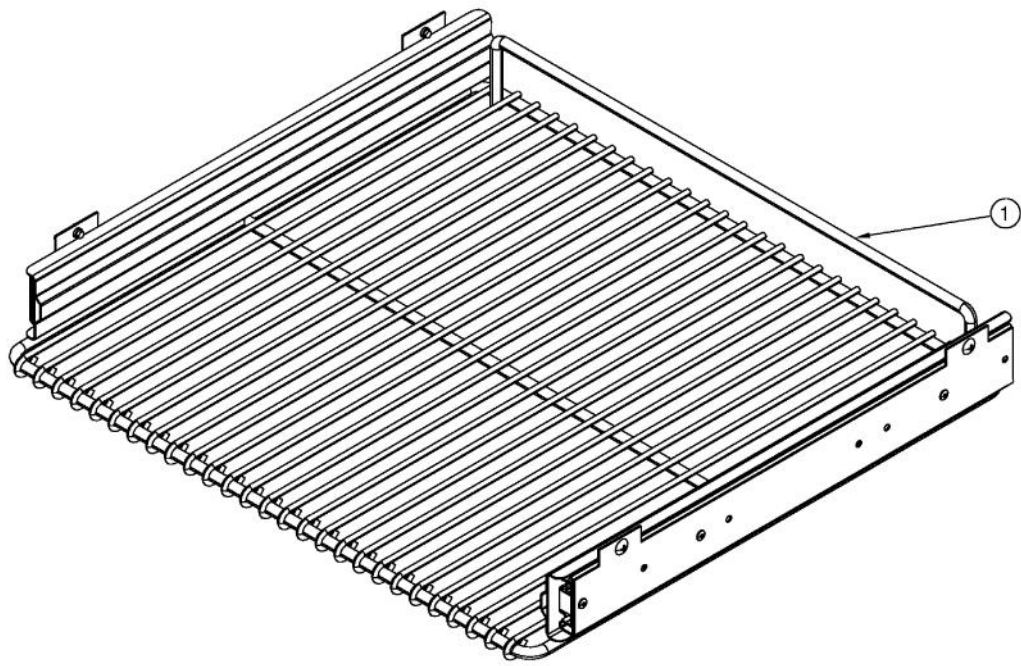
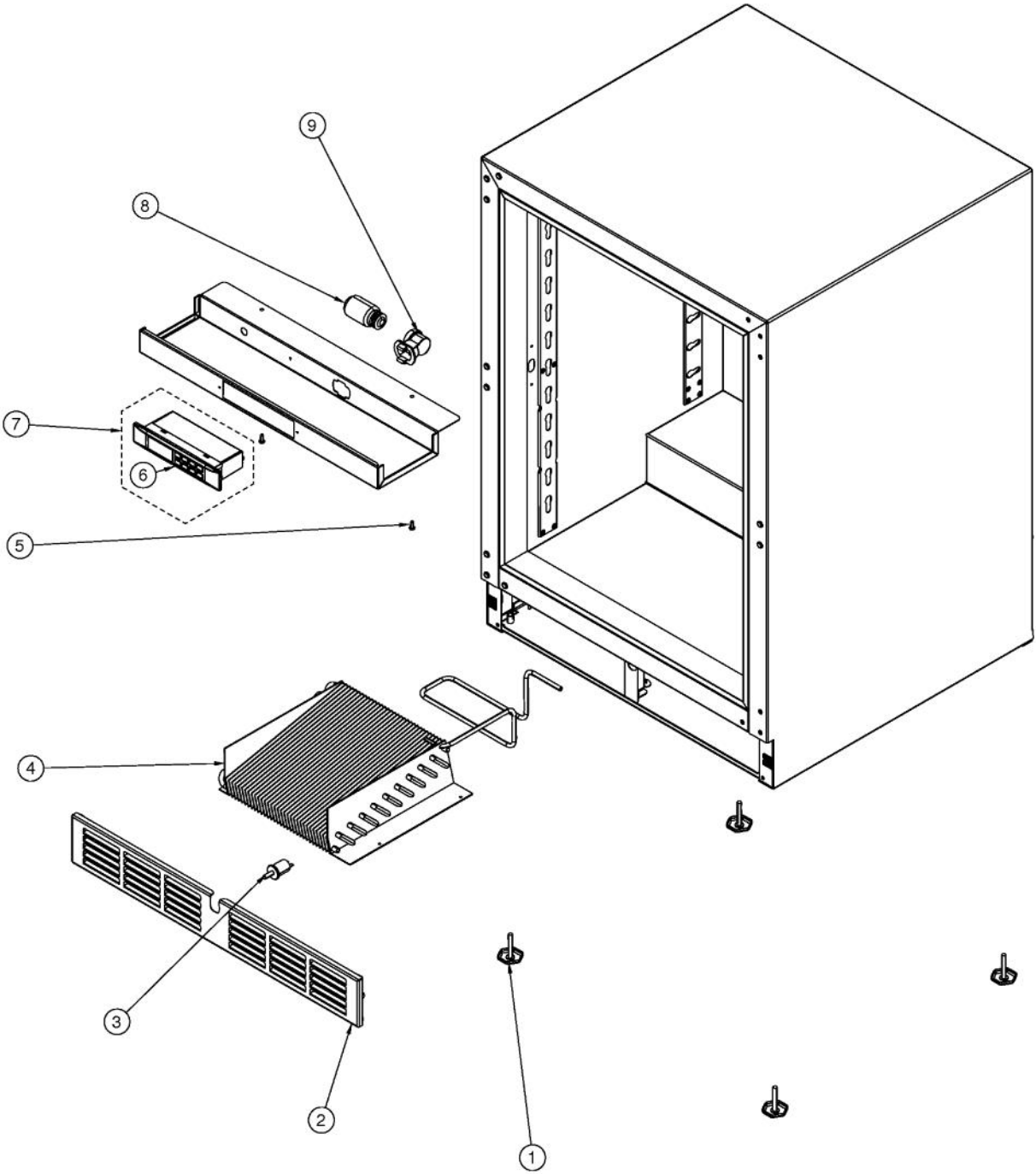


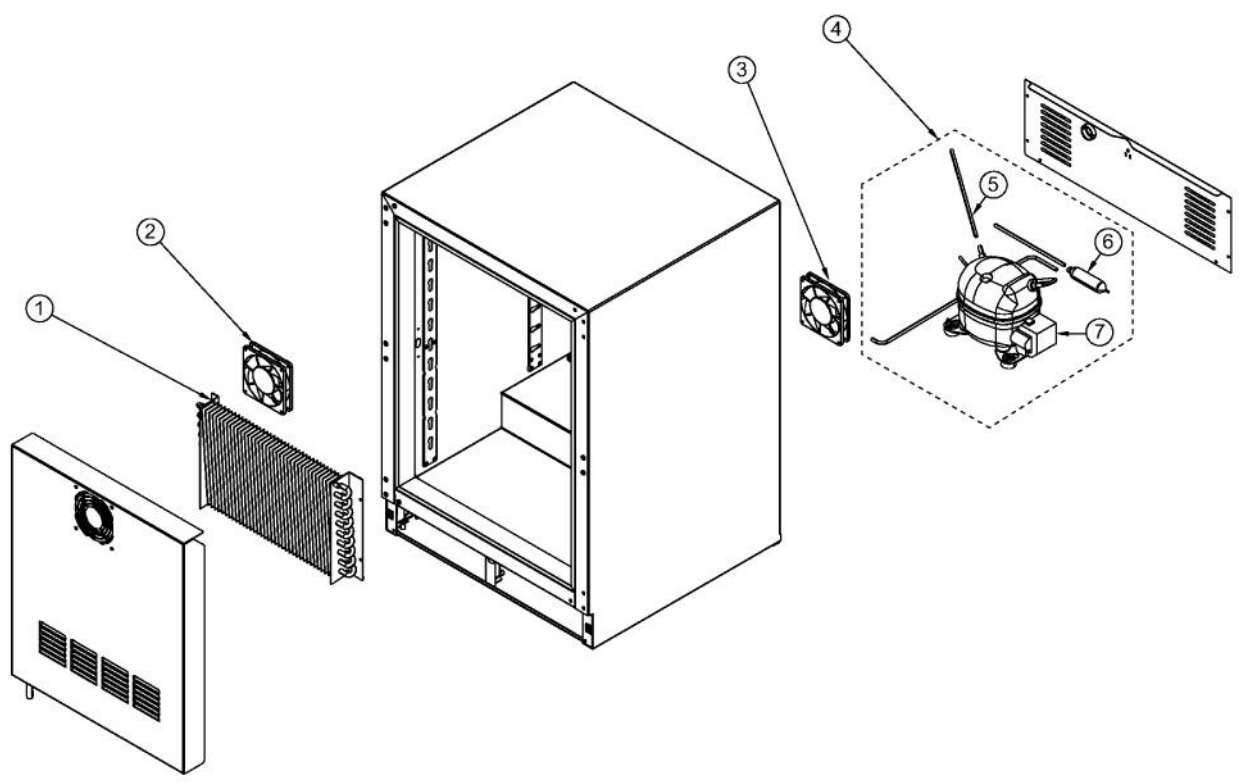
Ref #	Part Number	Qty.	Description
2	033020-000	1	HINGE KIT, LH
3	033017-000	1	HANDLE
4	033016-000	2	HANDLE END CAP
5	033018-000	4	SCREW, HANDLE MOUNTING
6	032972-000	1	DOOR GASKET, 24
7	033015-000	2	PLUNGER FASTENER
8	032973-000	1	PLUNGER BRACKET
9	033091-000	1	LONG CAM
10	033089-000	1	LOCK ASSEMBLY, RH



Ref #	Part Number	Qty.	Description
1	033049-000	2	SHELF ASSEMBLY, 24



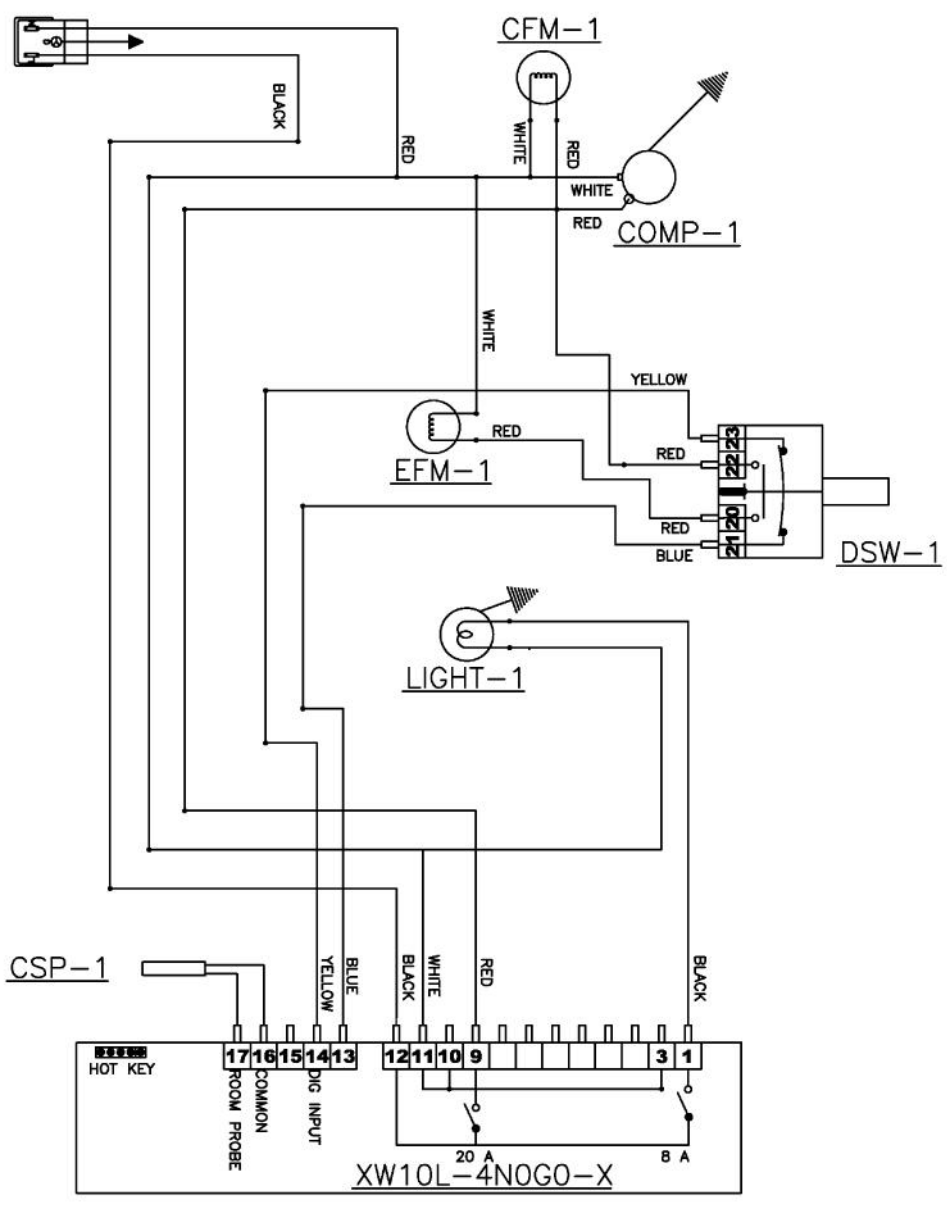
Ref #	Part Number	Qty.	Description
1	033033-000	4	LEVELLING LEG
2	033092-000	1	GRILLE ASSEMBLY. 24
3	033040-000	1	DOOR SWITCH
4	033041-000	1	CONDENSER
5	033024-000	2	FASTENER, CONTROL MOUNTING
6	033023-000	1	CONTROLLER FACE PLATE
7	033077-000	1	CONTROLLER ASSY
8	033026-000	1	LIGHT BULB
9	033027-000	1	LIGHT SOCKET
NI	033028-000	1	HARNESS, CONTROLLER
NI	033039-000	1	HARNESS, MACHINE COMPARTMENT
NI	033025-000	1	SENSOR



Ref #	Part Number	Qty.	Description
1	033029-000	1	EVAP ASSEMBLY
2	033030-000	1	FAN MOTOR
3	033030-000	1	FAN MOTOR
4	033034-000	1	COMPRESSOR KIT
5	033037-000	2	PROCESS TUBE
6	033035-000	1	DRIER
7	033036-000	1	COMP. START COMPONENTS
NI	033031-000	1	HARNESS, FAN MOTOR
NI	033042-000	1	POWER CORD



# VIKING UC PRODUCT



- XW10L--REFRIGERATION SYSTEM CONTROLLER
- DSW-1--LIGHT AND EVAP FAN MOTOR DOOR SWITCH
- LIGHT 1--COMPARTMENT LIGHT
- EFM 1--EVAPORATOR FAN MOTOR
- CSP-1--REFRIGERATED COMPARTMENT 1 SENSOR PROBE
- CFM-1--CONDENSER FAN MOTOR

Ref #	Part Number	Qty.	Description
-------	-------------	------	-------------

---