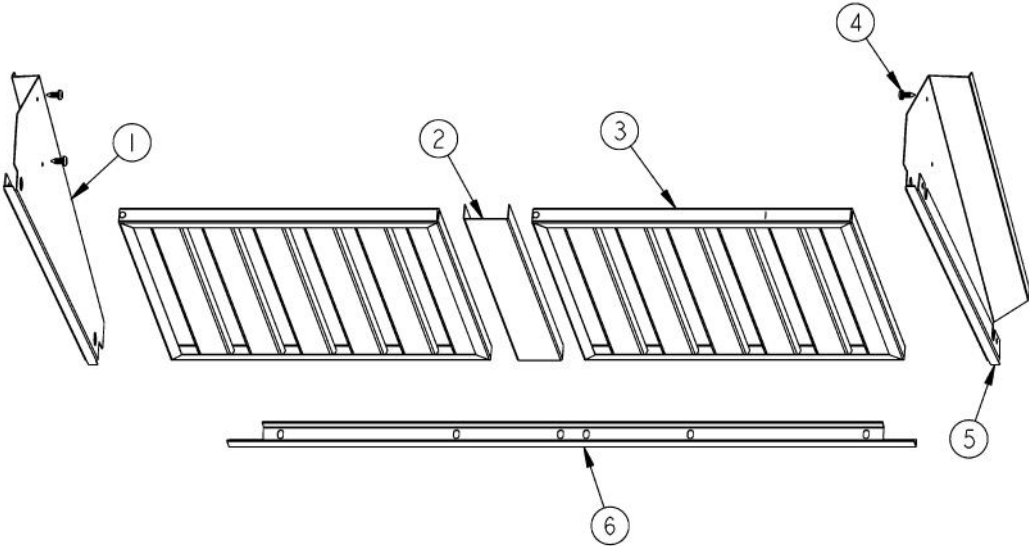
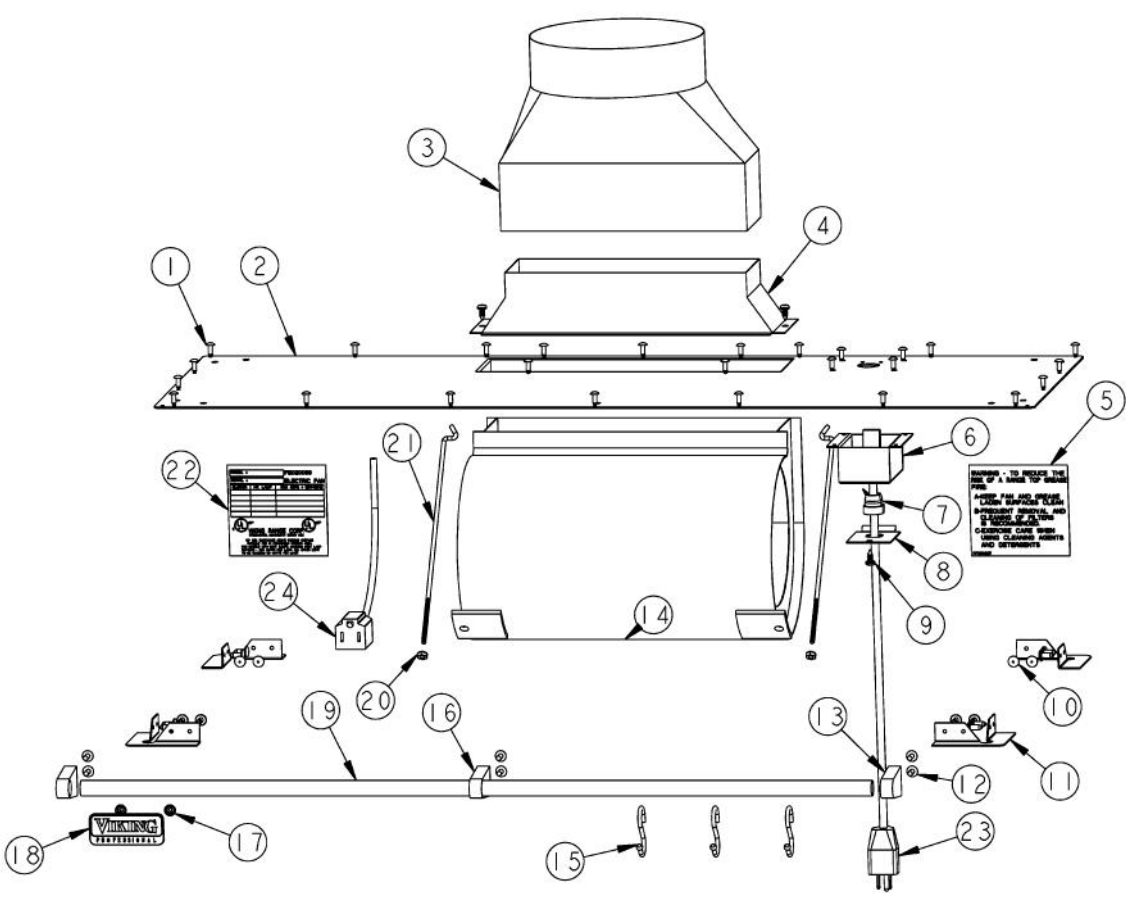


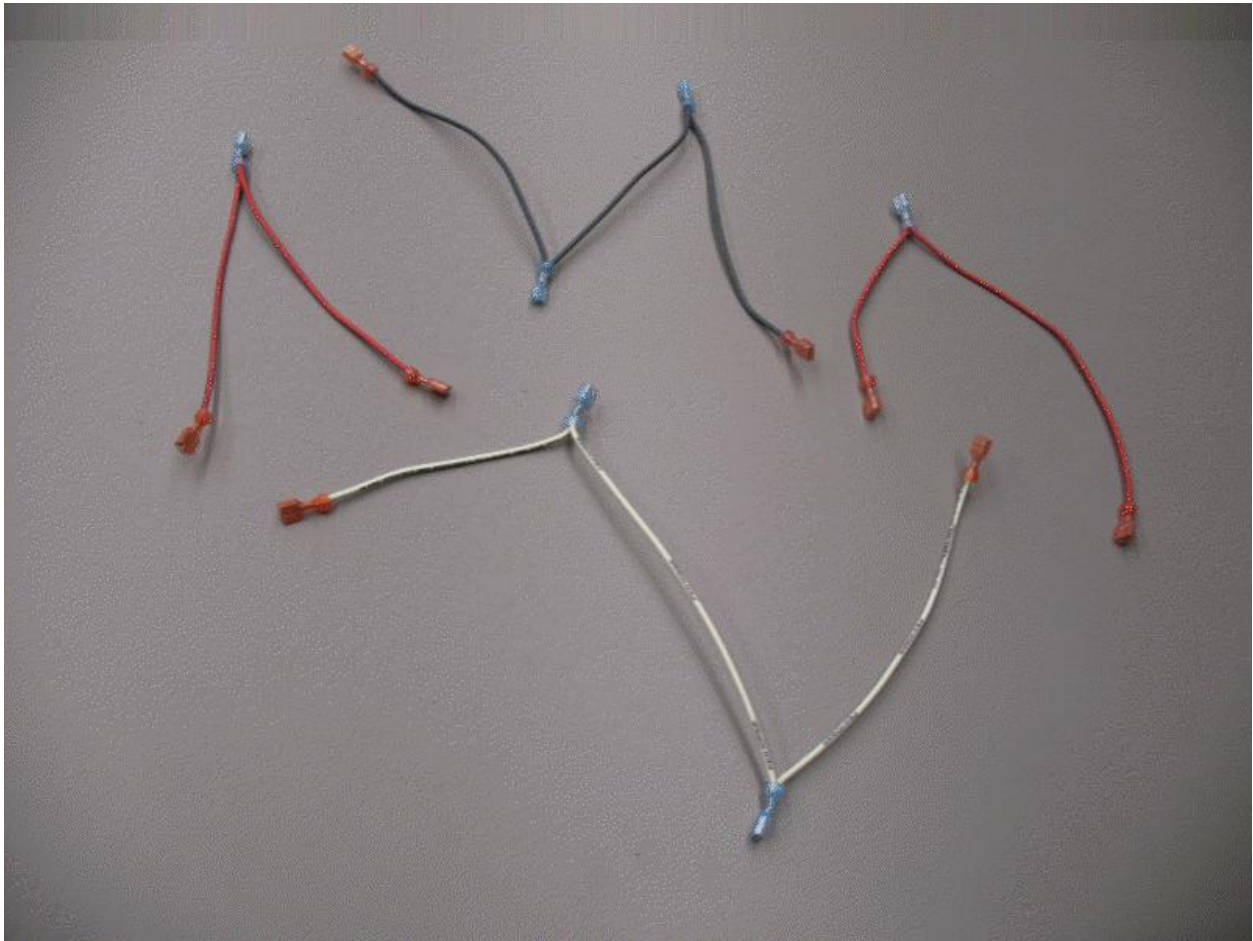
Ref #	Part Number	Qty.	Description
1	PE050032		LIGHT SOCKET, (571V)
2	PD020010		10 X 3/8 GREEN GROUNDING SCREW
3	A2003821		LIGHT SUPT (VWH3610)
4	PE070197		MALE SOCKET (3 PRONG)
5	PJ030014		HEAT SENSOR (N.O.) 160 DEG.
6	A2103810		THERMODISC BRACKET
7	PC040010		POP RIVET
8	B2003837		HEAT SENSOR BRKT
9	PE070541		3-PRONG FEMALE SOCKET
10	B2003803		CTRL PAN FORMED (VWH3010) (BEFORE 02/10/04)
	B20010262		CONTROL PANEL TOP (VWH3610) (AFTER 02/10/04)
11	PE050141		PRO LIGHT CONTROL
12	PD030059		TINNERMAN CLIP
13	PE050156		PRO BLOWER CONTROL
14	PD020087		10 X 1/2 PAN PH. TEK ZINC
15	B20010269		FILTER FRONT BRKT (VWH30/3610) (AFTER 02/10/04)
16	PD020032		SRW-8(A)X3/8PH.WFR HD 7/16DIAXNICL
17	B2003823		CTRL PAN FORMED (VWH3610)
18	PE050034		HALOGEN BULB 50W
19	PE040131		CTRL PNL GRPH REPL (30/3610 36/4208)
20	PA010071		LIGHT/MOTOR CONTROLLER KNOB
21	PE050048		FAN/LIGHT SWITCH (HOODS) EP0M11J



Ref #	Part Number	Qty.	Description
1	B2003815		HOOD I/S SIDE RH (21 DEEP)
2	B2007009		FILTER SPACER (VWH3610) 7.75 X 13``
3	G31010264		FILTER ASSEMBLY (VWH30/3610) 12.875 X 12.5
4	PD020087		10 X 1/2 PAN PH. TEK ZINC
5	B2003816		HOOD I/S SIDE LH (21 DEEP)
6	B2008716		REAR FILTER SUPPORT (VWH3610)



Ref #	Part Number	Qty.	Description
1	PC040010		POP RIVET
2	A2003946		HOOD TOP (VWH3610)
3	PM010045		3 1/4 X 10 RECT. TO 7 DIA(TRANS)
4	PE050043		DAMPER/TRANSITION 460 CFM 97006078
5	PF030337		HOOD WARNING LABEL
6	A2003825		ROUGH IN BOX (VWH30/3610)
7	PE070204		HEYCO STRAIN RELIEF - 7-P2
8	A2003826		ROUGH IN BOX COVER (VWH30/3610)
9	PD020087		10 X 1/2 PAN PH. TEK ZINC
10	PD020002		10 X 1/2 PH.TR.HD.SMS.
11	A2103817		CORNER BRACKET
12	PD010003		10-24 X 1/2 PH.TR.HD.SERD.M.S.
13	PE030054		END CAP - SS
	PE030055		END CAP - BR
14	PE050042		BLOWER INT 460 CFM 97007542
15	PE030076		CHROME S HOOKS REPL PV100012SS
	PE030077		BR `S` HOOKS REPL PV100012BR
16	PE030052		SUPPORT TUBE, HOLE THROUGH
	PE030053		MIDDLE RAIL SUPPORT - BR
17	PD030006		CAPPED WASHER PAL NUT
18	PE010142		3 LOGO XBKXXCHROME
	PE010143		3 LOGO BK/BR
	PE010144		3 LOGO XWHXCHROME
	PE010145		LOGO - WH / BR
19	PE030058		36 ACCESSORY RAIL SS
	PE030059		36 BRASS ACCESSORY RAIL
20	PD030131		NO.10-24 HEX NUT W/NYLON LOCK RING
21	PD010035		BLOWER MTG ROD NO.10-24 99420464
22	PE020058		RATING LABEL (ADHESIVE)
23	PE070542		3-PRONG MALE CORD W/AMP CON
24	PE070205		3 PRONG FEMALE SUPPLY CORD



Ref #	Part Number	Qty.	Description
1	PE070555		VWH30/3610 WIRE KIT