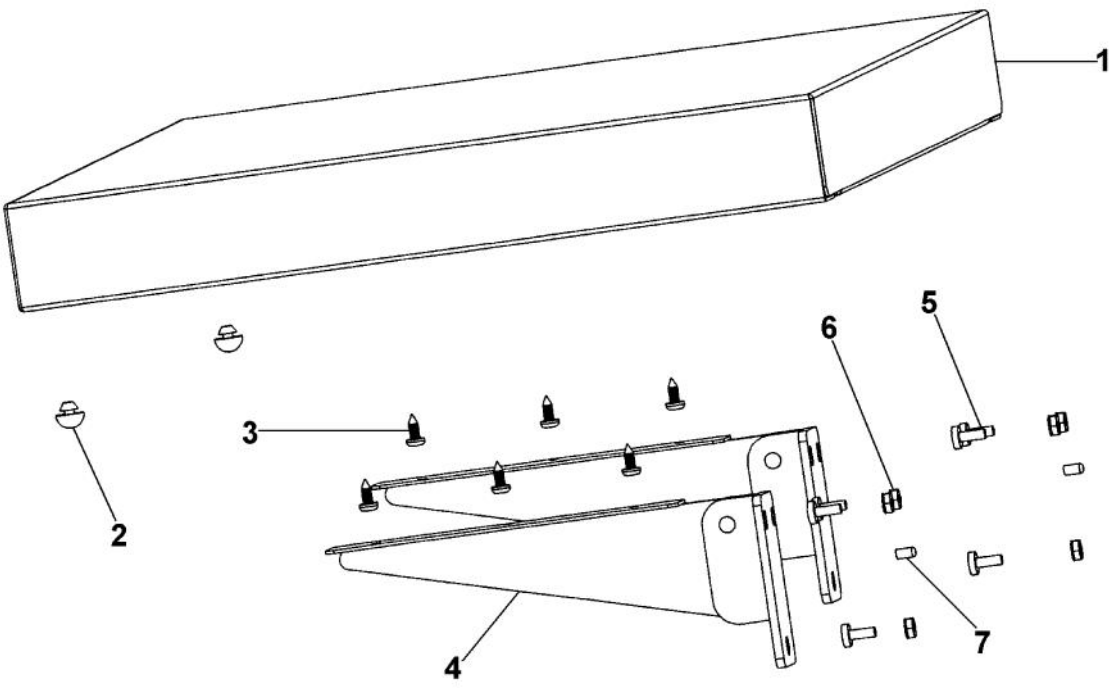
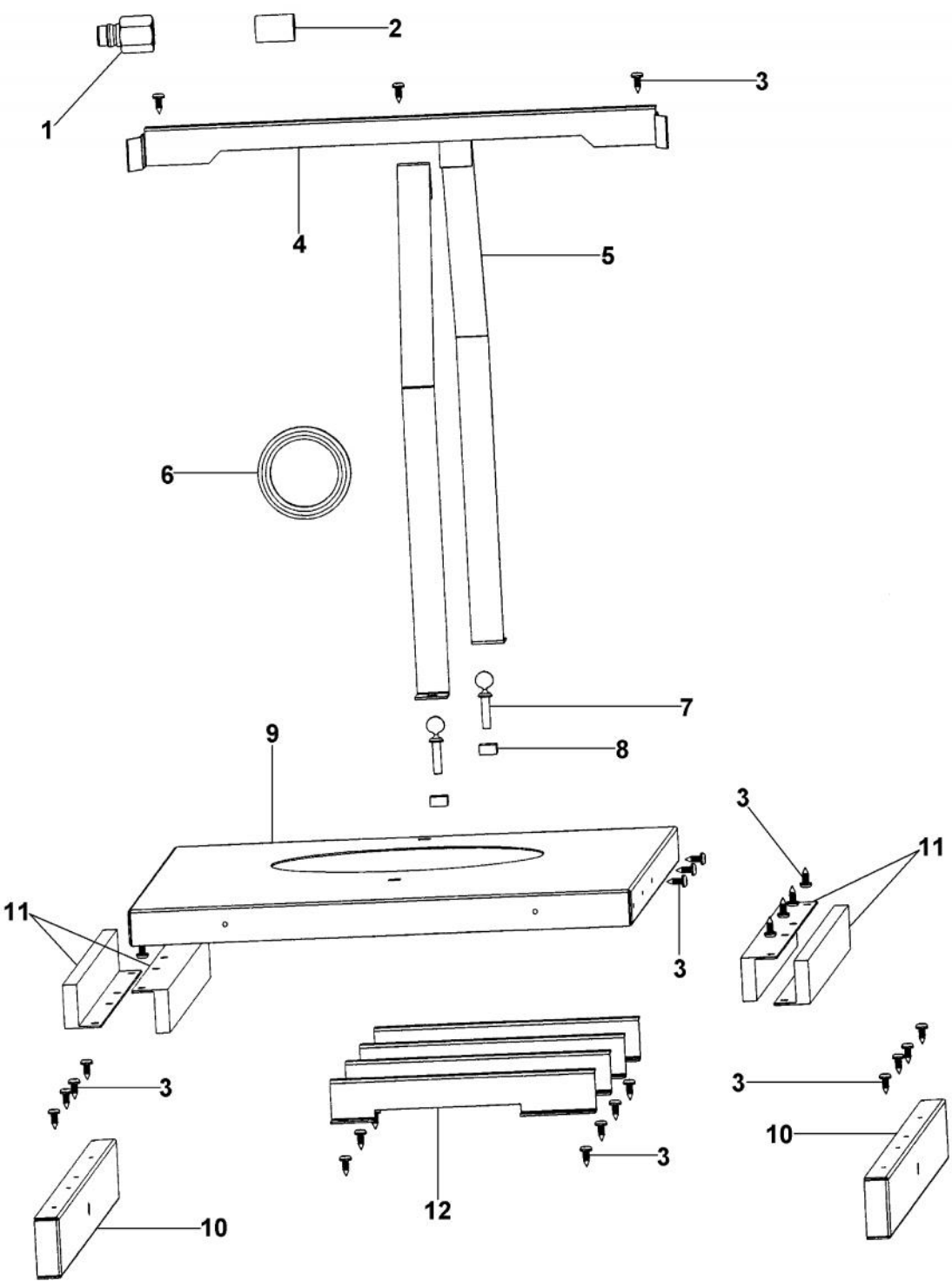


| Ref # | Part Number | Qty. | Description |
|-------|-------------|------|-------------------------------------|
| 1 | B2005364 | | REAR CART UPPER 53 |
| 2 | B20010832 | | PHASE II CART TOP 53 |
| 3 | B2007244 | | UPPER CART SIDE - RH |
| 4 | B2007211 | | CART SIDE BRACE 41 & 53 |
| 5 | B2007241 | | UPPER CART SIDE - LH |
| 6 | PD020055 | | NO.10 X 1/2 PAN PHIL. TEK. SS |
| 7 | PM010360 | | VCQS CORNER FRAME RH |
| 8 | PM010361 | | VCQS CORNER FRAME LH |
| 9 | PD020068 | | NO.10 - 32 X 1/2TRUSS. PHIL. M.XSSX |

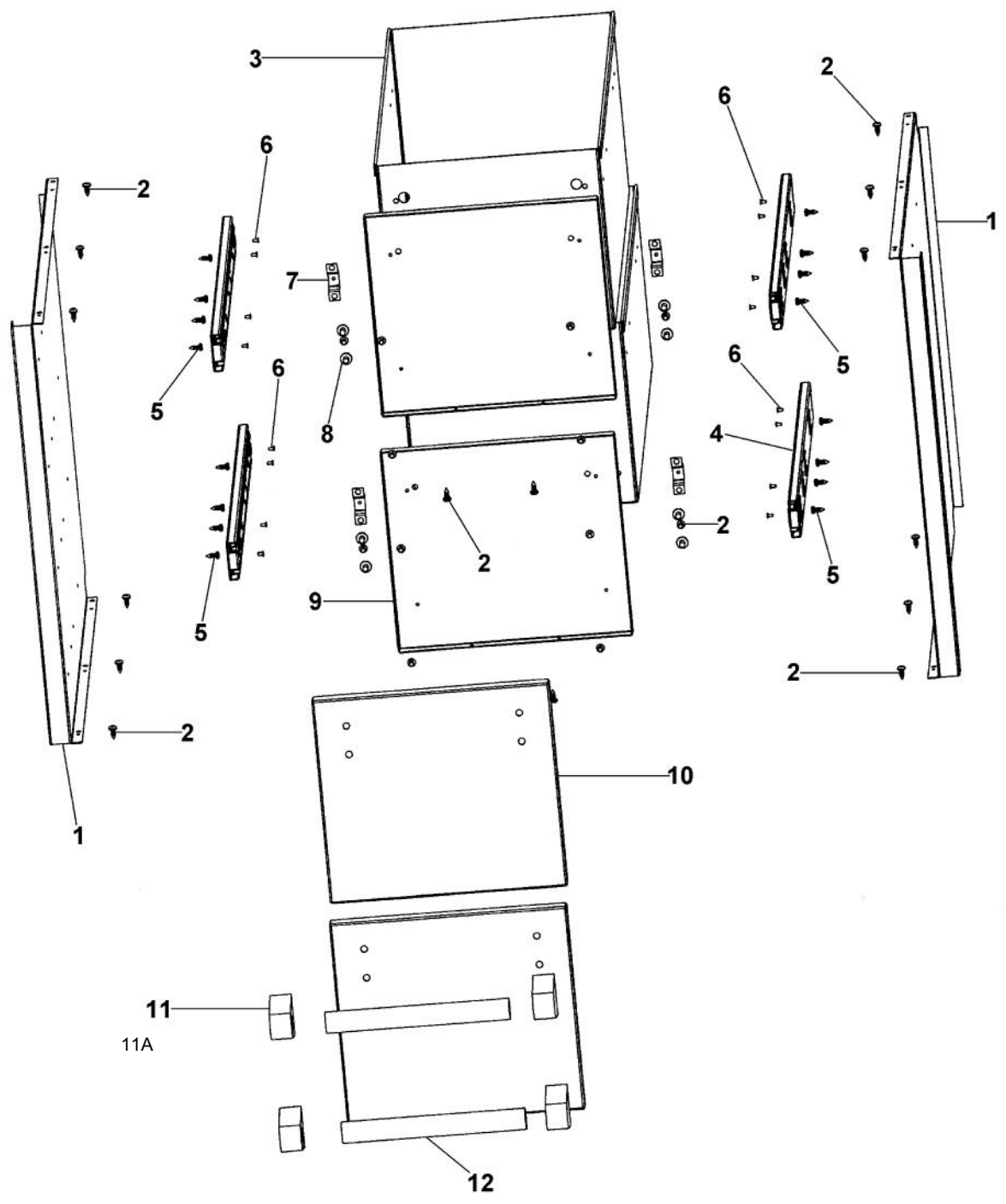


| Ref # | Part Number | Qty. | Description |
|-------|-------------|------|-------------------------------|
| 1 | B3005378 | | SIDE SHELF PH II BQC530TSS |
| 2 | PD040060 | | RUBBER GROMMET |
| 3 | PD020055 | | NO.10 X 1/2 PAN PHIL. TEK. SS |
| 4 | PC020031 | | FOLD DOWN SHELF BRACKET |
| 5 | PD020056 | | NO.10-24 X 1/2 PH.TR. M.S. SS |
| 6 | PD030044 | | 10-24 KEPS NUT SS |
| 7 | PD020118 | | ALLEN SCREW |

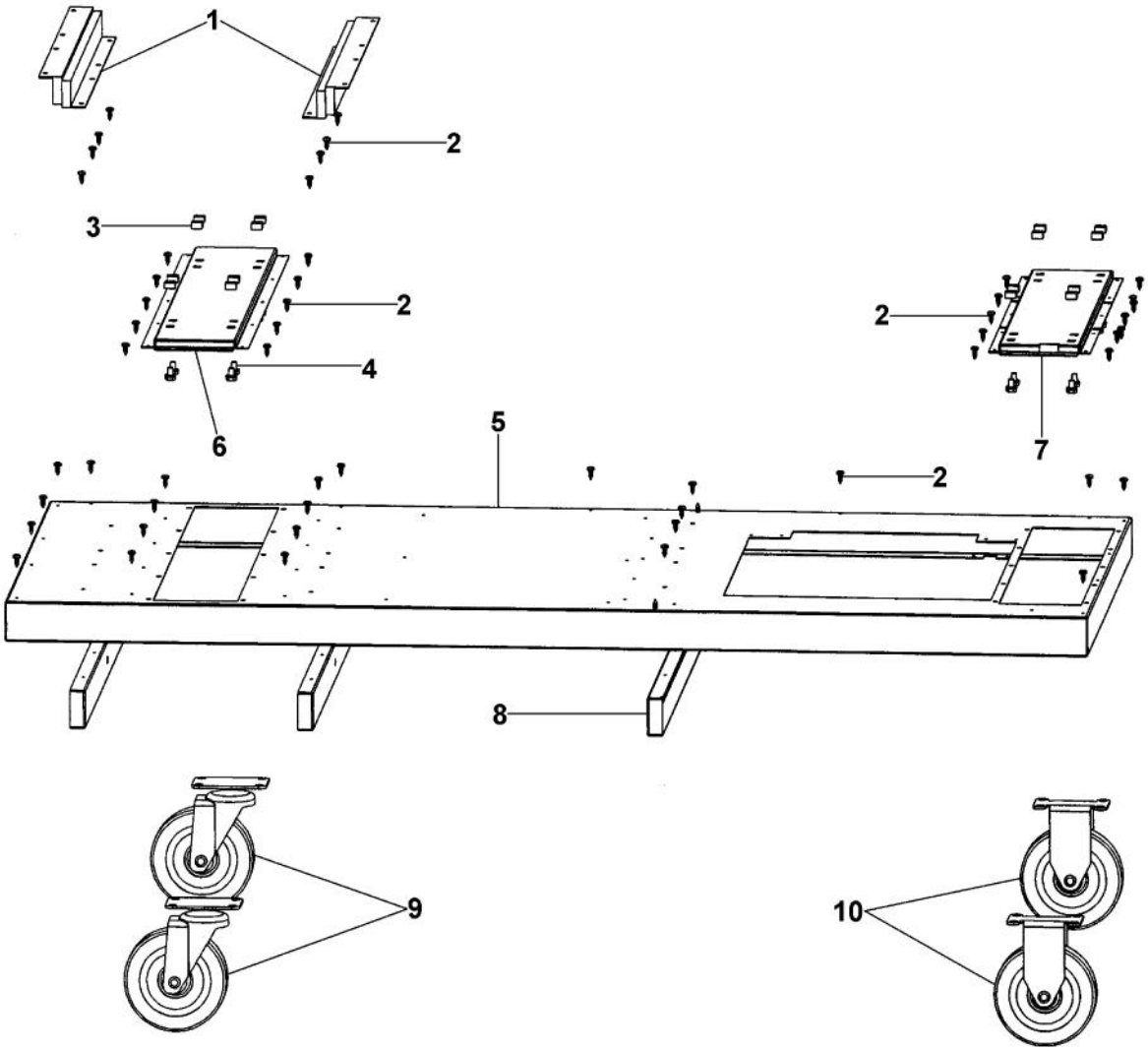
| Ref # | Part Number | Qty. | Description |
|-------|-------------|------|----------------------------------|
| 1 | PE030135 | | DOOR HANDLE |
| 1A | PE030135PVD | | DOOR HANDLE PVD |
| 2 | PE030001 | | BRACKET, DOOR, HANDLE |
| 2A | PE030001PVD | | END CAP DOOR HANDLE XBR |
| 3 | B20010800 | | LP DOOR O/S PANEL |
| 4 | B2005386 | | CART HANDLE SPACER |
| 5 | PD010019 | | BLT-1/4-20X3/8HEX WASHER SERATED |
| 6 | PD020055 | | NO.10 X 1/2 PAN PHIL. TEK. SS |
| 7 | B20010833 | | LP DRAWER DOOR BACK |
| 8 | B20010834 | | LP DRAWER STORAGE |
| 9 | B20010810 | | VCQS 41 INNER CART WALL |
| 10 | B2005361 | | LOWER CART SIDE LH |



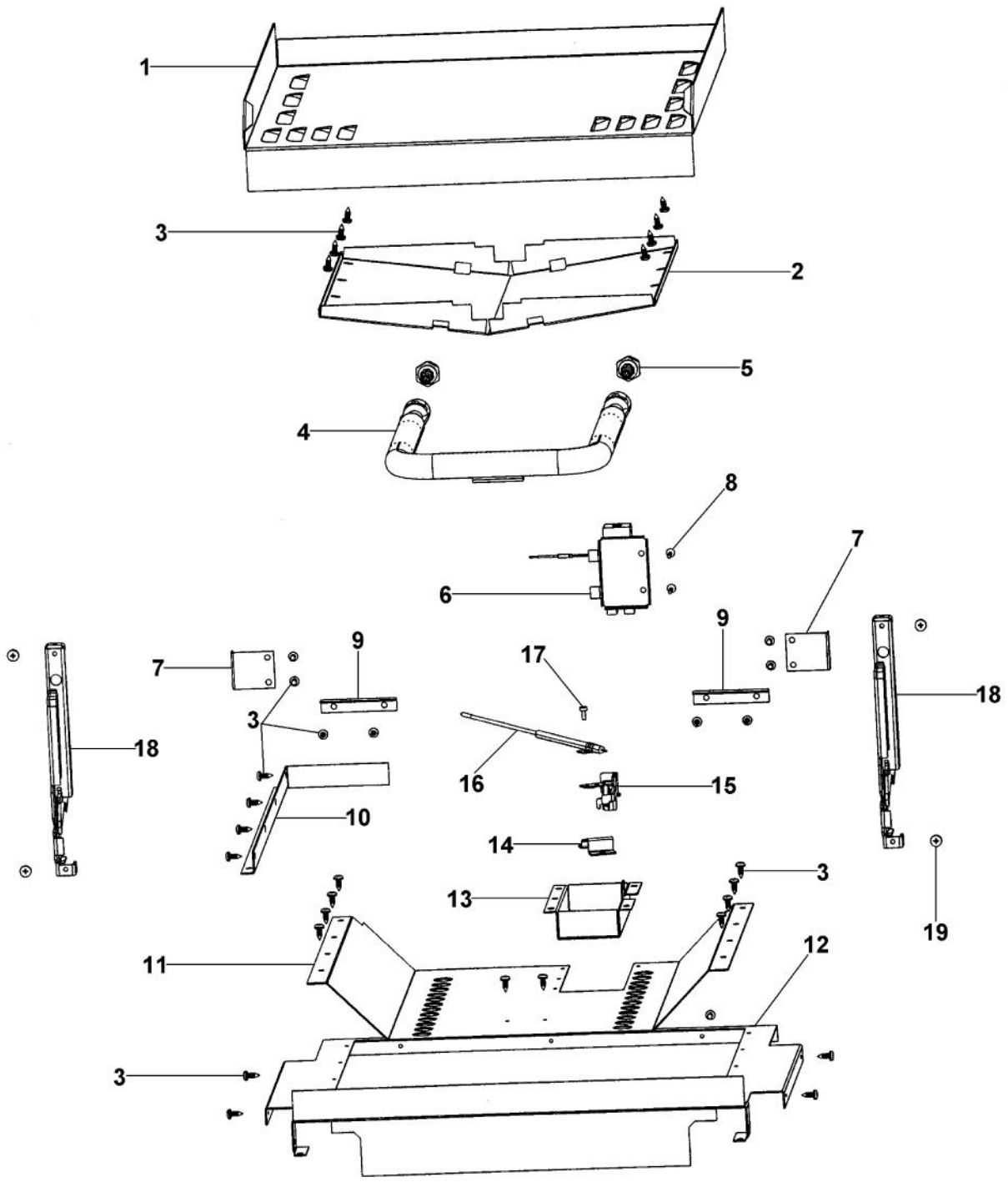
| Ref # | Part Number | Qty. | Description |
|-------|-------------|------|--|
| 1 | PB040167 | | MALE COUPLER (PHASE 1 GRILL) |
| 2 | PB040046 | | 1/2 CLOSE NIPPLE (VGSO166) |
| 3 | PD020055 | | NO.10 X 1/2 PAN PHIL. TEK. SS |
| 4 | B20010813 | | LP DRAWER GUIDE |
| 5 | B2004202 | | L.P. TANK STRAP (VGBQ) |
| 6 | PD040052 | | SIDE BURNER GROMMET |
| 7 | PD020070 | | 1/4 X 20 X 1 SHOULDER THUMB SCREW |
| 8 | PD030050 | | 10-24 CAGE NUT SS |
| 9 | B20010825 | | PHASE II TANK DRAWER |
| 10 | B20013825 | | CART BOTTOM BRACE RH (BQC41/53) |
| 11 | PK000018 | | TANK DRAWER SLIDE (RH OR LH) BBQ GRILL |
| 12 | B20013826 | | INNER BRACE (BQC41/53) |



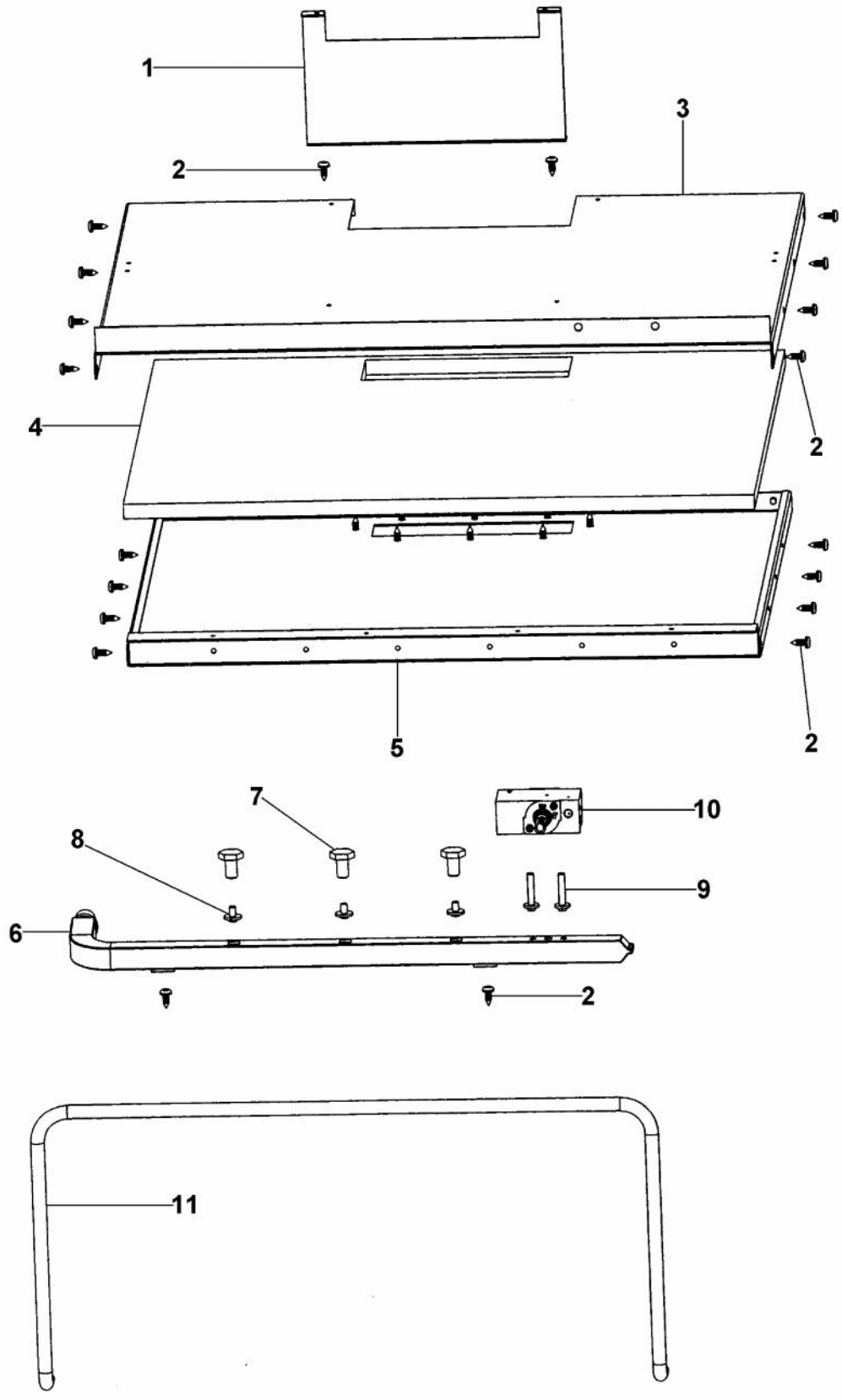
| Ref # | Part Number | Qty. | Description |
|-------|-------------|------|----------------------------------|
| 1 | B20010810 | | VCQS 41 INNER CART WALL |
| 2 | PD020055 | | NO.10 X 1/2 PAN PHIL. TEK. SS |
| 3 | B30010830 | | 53 CART DRAWER |
| 4 | PC080010 | | SLIDE |
| 5 | PD020120 | | 8 X 1/2 TEK SHEET METAL SCREW |
| 6 | PC040010 | | POP RIVET |
| 7 | B2005386 | | CART HANDLE SPACER |
| 8 | PD010019 | | BLT-1/4-20X3/8HEX WASHER SERATED |
| 9 | B20010831 | | CART INNER DRAWER DOOR 53 |
| 10 | B20010801 | | DRAWER O/S DOOR PANEL |
| 11 | PE030001 | | BRACKET, DOOR, HANDLE |
| 11A | PE030001PVD | | END CAP DOOR HANDLE XBR |
| 12 | PE030136 | | DOOR HANDLE |
| | PE030136PVD | | DOOR HANDLE PVD |



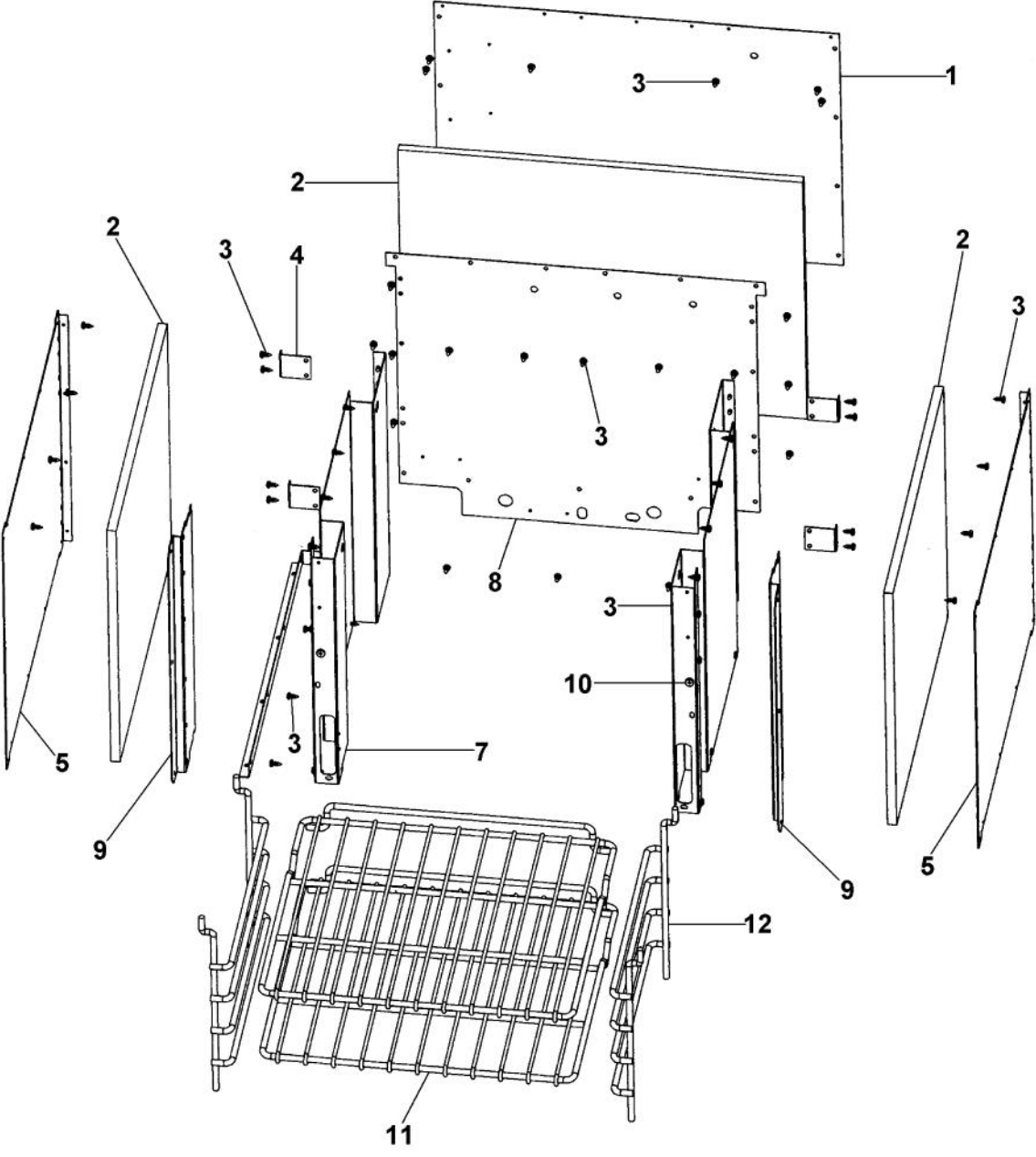
| Ref # | Part Number | Qty. | Description |
|-------|-------------|------|--|
| 1 | PK000018 | | TANK DRAWER SLIDE (RH OR LH) BBQ GRILL |
| 2 | PD020055 | | NO.10 X 1/2 PAN PHIL. TEK. SS |
| 3 | PD030043 | | 1/4-20 CAGE NUT SS |
| 4 | PD010019 | | BLT-1/4-20X3/8HEX WASHER SERATED |
| 5 | B30010804 | | CART BOTTOM |
| 6 | B2007920 | | CASTER BRACE |
| 7 | B20010826 | | FIXED CASTER BRACE |
| 8 | B20013825 | | CART BOTTOM BRACE RH (BQC41/53) |
| 9 | PC030020 | | CASTER, SWIVEL |
| 10 | PC030030 | | RIGID CASTER |



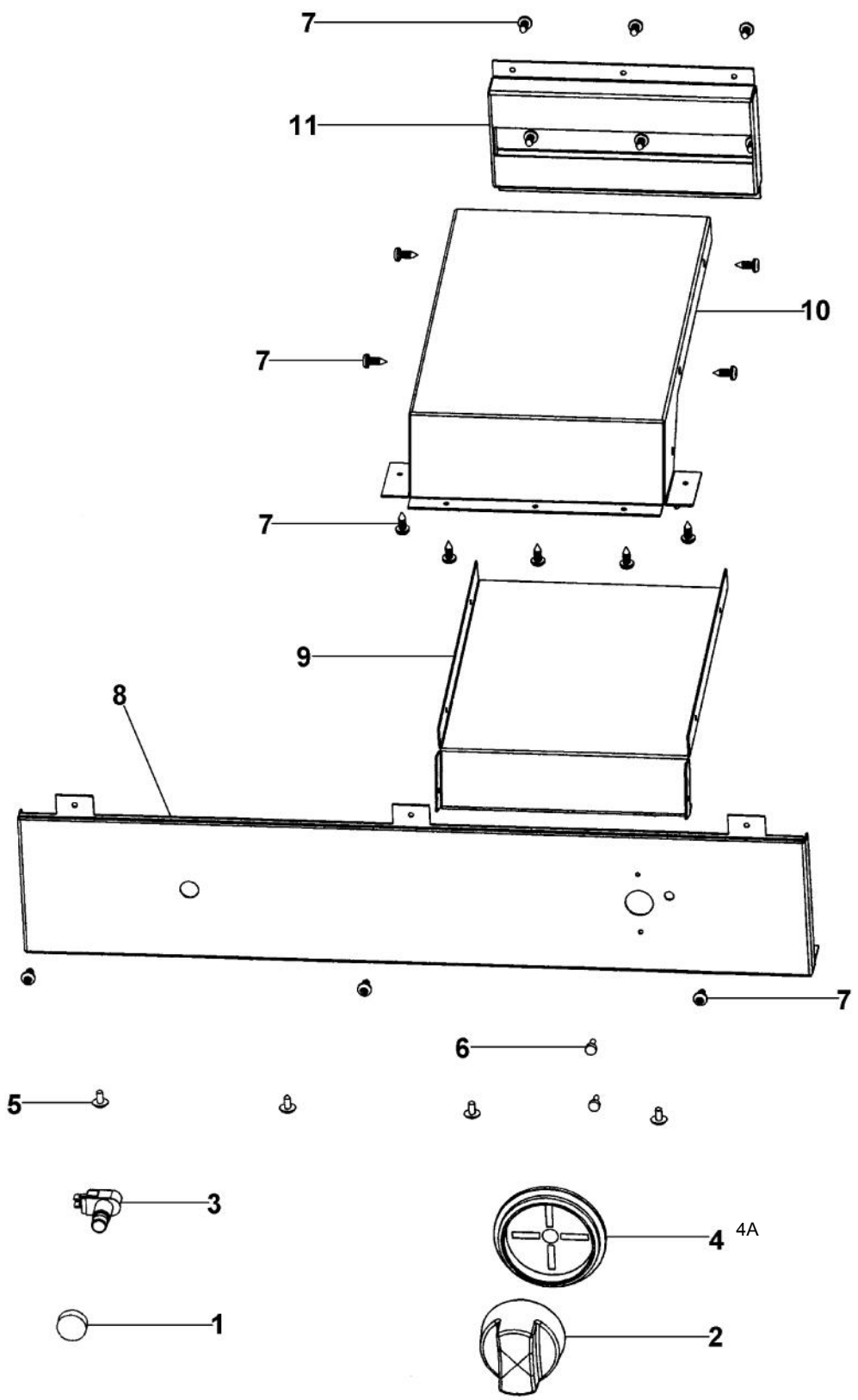
| Ref # | Part Number | Qty. | Description |
|-------|-------------|------|-------------------------------|
| 1 | G9107670 | | OVEN BOTTOM ASSY., VGIC245 |
| 2 | B20010849 | | BOTTOM PAN HEAT SHIELD |
| 3 | PD020055 | | NO.10 X 1/2 PAN PHIL. TEK. SS |
| 4 | PB050076 | | 8 DUEL INJECTION BURNER |
| 5 | PB040244 | | BULK HEAD ORIFICE FITTING |
| 6 | PB010266 | | SAFETY VALVE |
| 7 | B20010824 | | REAR SUPPORT |
| 8 | PD020057 | | NO.10 X 1 FLAT HD. TEK. SS |
| 9 | A2000803 | | OVEN BTM SUPT - 36 B-IN |
| 10 | B20010827 | | OVEN MOUNTING BRACKET |
| 11 | B20010803 | | OVEN BOTTOM |
| 12 | B20010809 | | BOTTOM AIR PLATE |
| 13 | B20014411 | | PILOT BRACKET |
| 14 | B20001812 | | PILOT BRACKET |
| 15 | PA020044 | | PILOT ASSY |
| 16 | PB040241 | | IGNITOR |
| 17 | PD020067 | | NO.6 X 3/8 PAN PHIL. TEK SS |
| 18 | PC020008 | | HINGE ASSY (RED) |
| 19 | PD020056 | | NO.10-24 X 1/2 PH.TR. M.S. SS |



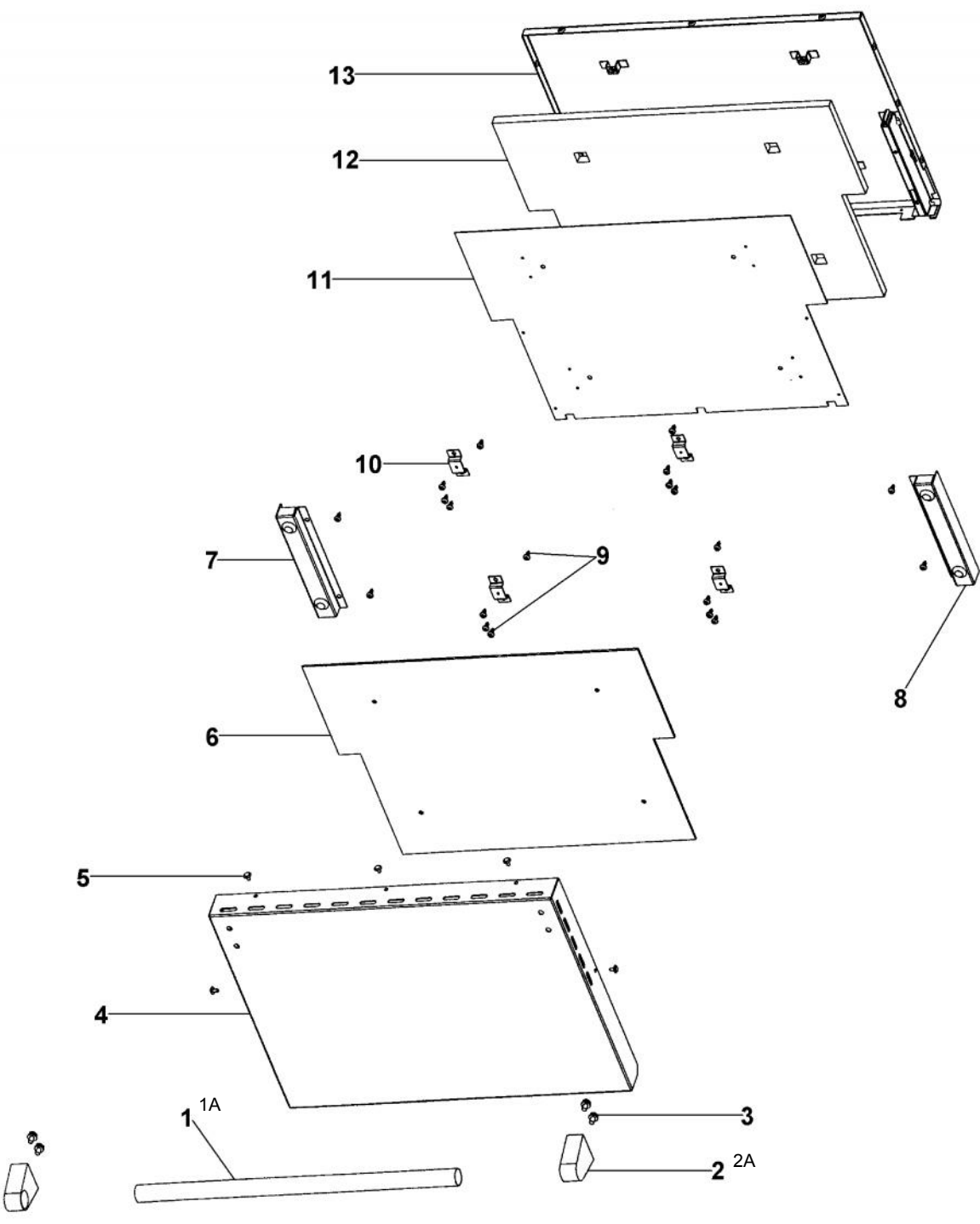
| Ref # | Part Number | Qty. | Description |
|-------|-------------|------|------------------------------------|
| 1 | B20010869 | | TIE-IN BRACKET |
| 2 | PD020055 | | NO.10 X 1/2 PAN PHIL. TEK. SS |
| 3 | B20010823 | | TOP INSULATION RETAINER |
| 4 | PB070145 | | SUPERWOOL 5 X 24 X 3` |
| 5 | E91010807 | | OVEN TOP |
| 6 | PA050099 | | MANIFOLD |
| 7 | PA010012 | | ROPER PLUG |
| 8 | PD010012 | | VALVE BOLT 1/4-20 UNC-2B 5/16 M.S. |
| 9 | PD020173 | | MANIFOLD BOLT |
| 10 | PB010265 | | THERMOSTAT |
| 11 | PB070193 | | DOOR GASKET |



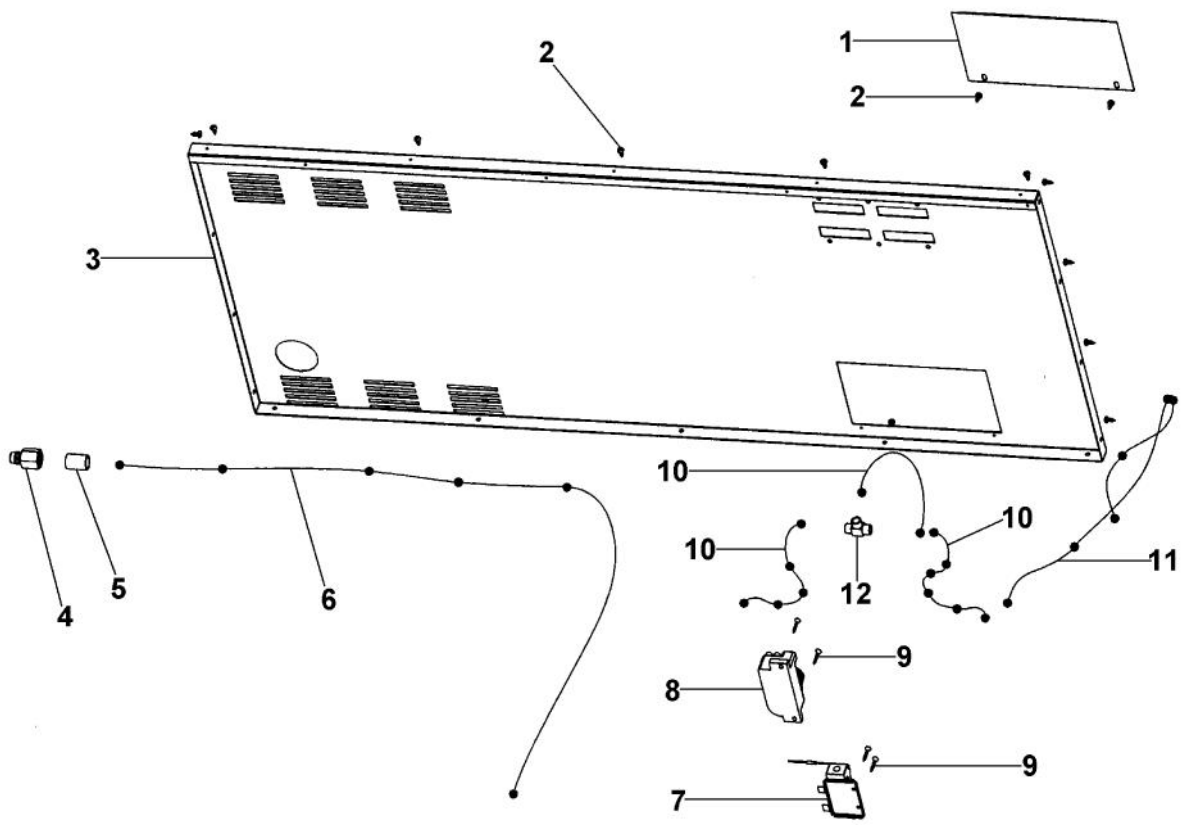
| Ref # | Part Number | Qty. | Description |
|-------|-------------|------|-------------------------------|
| 1 | B20010822 | | BACK INSULATION RETAINER |
| 2 | PB070145 | | SUPERWOOL 5 X 24 X 3' |
| 3 | PD020055 | | NO.10 X 1/2 PAN PHIL. TEK. SS |
| 4 | B20010824 | | REAR SUPPORT |
| 5 | B20010821 | | SIDE INSULATION RETAINER |
| 6 | E91010805 | | OVEN SIDE - RH |
| 7 | E91010806 | | OVEN SIDE LH |
| 8 | E91010808 | | OVEN BACK |
| 9 | E91010820 | | SIDE LINER EXTENSION |
| 10 | PD020056 | | NO.10-24 X 1/2 PH.TR. M.S. SS |
| 11 | PB060080 | | OVEN RACK VGIC 24 INCH |
| 12 | PB060022 | | OVEN RACK SUPT (VGSO166) |



| Ref # | Part Number | Qty. | Description |
|-------|-------------|------|------------------------------------|
| 1 | PB010163 | | OVEN LIGHT SWITCH KNOB BK |
| 2 | PA010155 | | THERMOSTAT KNOB |
| 3 | PE050063 | | SPARKER SWITCH |
| 4 | PB0101208 | | BEZEL - SS |
| 4A | PB010209 | | BEZEL BRASS |
| 5 | PD020032 | | SRW-8(A)X3/8PH.WFR HD 7/16DIAXNICL |
| 6 | PD020067 | | NO.6 X 3/8 PAN PHIL. TEK SS |
| 7 | PD020055 | | NO.10 X 1/2 PAN PHIL. TEK. SS |
| 8 | B92010802 | | OVEN CONTROL PANEL |
| 9 | B20010838 | | OVEN VENT BOTTOM |
| 10 | B30010837 | | OVEN VENT TOP |
| 11 | G30010840 | | VENT BOX ASSY |



| Ref # | Part Number | Qty. | Description |
|-------|---------------|------|------------------------------------|
| 1 | PE030134 | | DOOR HANDLE |
| 1A | PE030134PVD | | DOOR HANDLE PVD |
| 2 | PE030001 | | BRACKET, DOOR, HANDLE |
| 2A | PE030001PVD | | END CAP DOOR HANDLE XBR |
| 3 | PD010019 | | BLT-1/4-20X3/8HEX WASHER SERATED |
| 4 | B20010816 | | OUTSIDE DOOR PANEL |
| 5 | PD020032 | | SRW-8(A)X3/8PH.WFR HD 7/16DIAXNICL |
| 6 | J10010851 | | DOOR HEAT SINK |
| 7 | A2002499 | | HINGE POCKET COVER LH |
| 8 | A2002498 | | HINGE POCKET COVER RH |
| 9 | PD020055 | | NO.10 X 1/2 PAN PHIL. TEK. SS |
| 10 | B20010852 | | DOOR HEAT SINK BRACKET |
| 11 | B10010817 | | DOOR INSULATION RET. |
| 12 | PB070145 | | SUPERWOOL 5 X 24 X 3` |
| 13 | G91010815 | | DOOR LINER WELD ASSY |
| NI | G32010818SS | | DOOR ASSY XSSX BQCO53 |
| | G32010818SSBR | | DOOR ASSY XSSBRX BQCO53 |



| Ref # | Part Number | Qty. | Description |
|-------|-------------|------|-------------------------------|
| 1 | B20010836 | | REAR ACCESS PANEL |
| 2 | PD020055 | | NO.10 X 1/2 PAN PHIL. TEK. SS |
| 3 | B200010811 | | GRILL CART BACK |
| 4 | PB040167 | | MALE COUPLER (PHASE 1 GRILL) |
| 5 | PB040046 | | 1/2 CLOSE NIPPLE (VGSO166) |
| 6 | PB020222 | | 1/2 FLEX TUBING |
| 7 | PB010266 | | SAFETY VALVE |
| 8 | PA020036 | | SPARK MODULE |
| 9 | PD020057 | | NO.10 X 1 FLAT HD. TEK. SS |
| 10 | PB020190 | | 10 FLEX TUBE |
| 11 | PB020135 | | FLEX TUBING 34 |
| 12 | PB040045 | | 3/8 UNION TEE (VGSO166) |