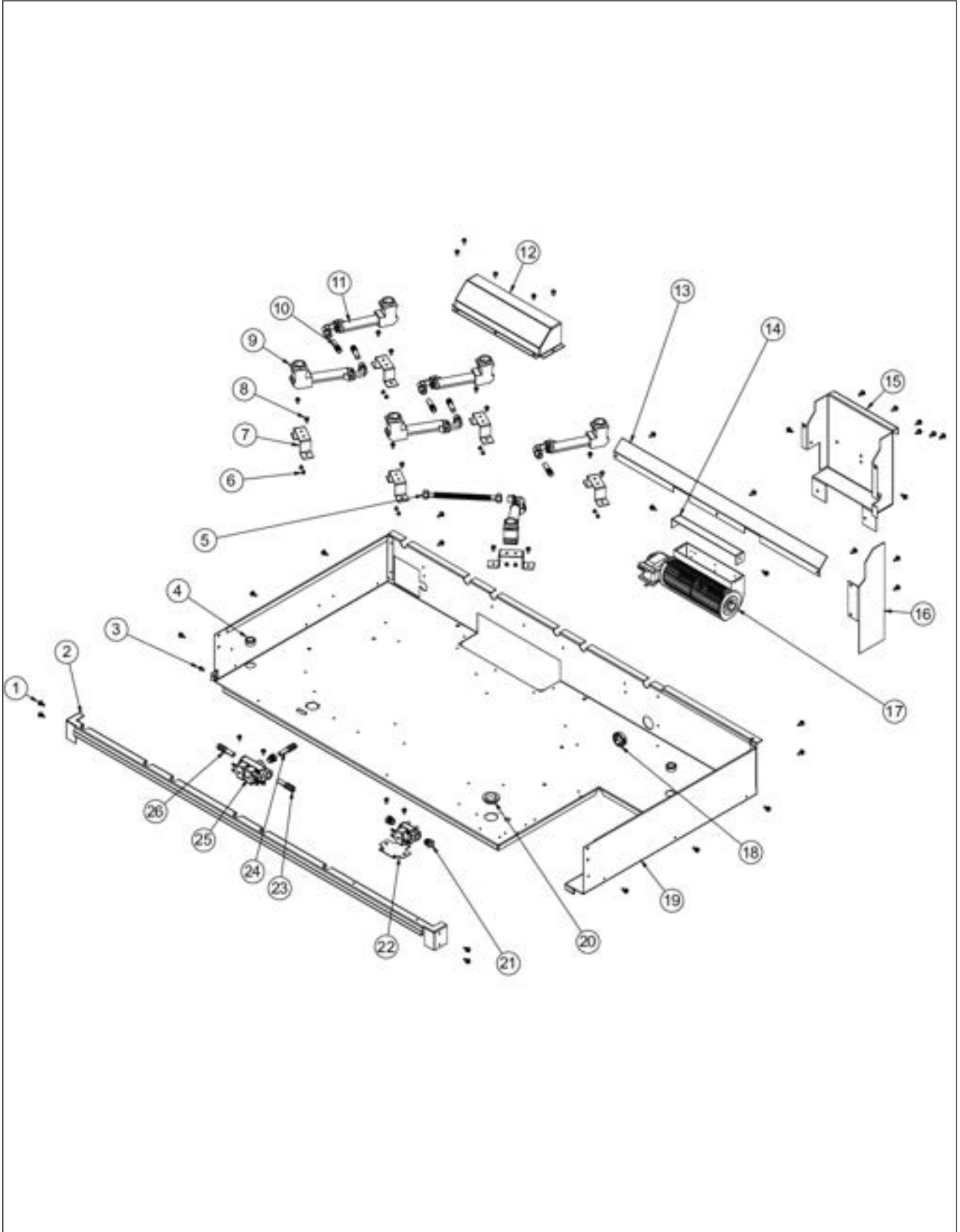


BVGRC848-6GS

BURNER BOX AREA	1
CONTROL PANEL	2
DOOR ASSEMBLY	3
DRAWER ASSEMBLY	4
GRIDDLE ASSEMBLY	5
LOWER UNIT AND SIDE PANELS	6
OVEN BURNER AREA	7
OVEN CAVITY	8
OVEN ELECTRONICS	9
OVEN RACKS	10
REAR SHEET METAL	11
SURFACE COOKING AREA	12
Appendix A:Pages Index	A
Appendix B:Parts Index	B

BURNER BOX AREA



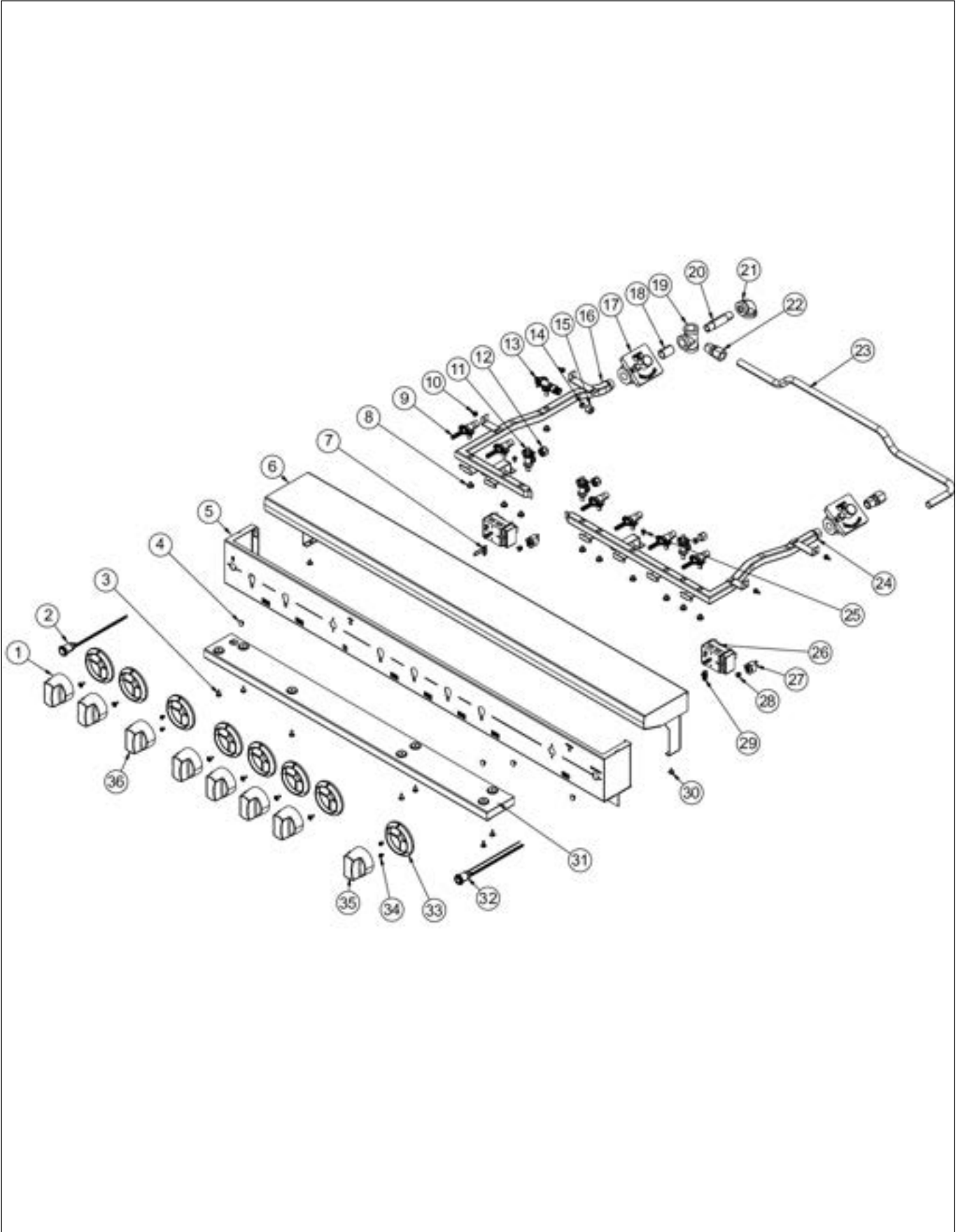


Item	Part No.	Name	Qty	Uom	NOTES
1	003860-000	10-18 x .500 FASTNR,SCR,HXWH,STL,ZPLT		EA	
2	034356-000	BRACKET, MTG, BVGRC848 CNTRL PANEL		EA	Not available online / Call for pricing and availability
3	PD020010	10 X 3/8 GREEN GROUNDING SCREW		EA	
4	PD040005	SNAP BUSHING - 7/8"		EA	
5	PB020198	20" FLEX TUBING		EA	
6	PD010028	BOLT M 4X5		EA	
7	027734-000	BRACKET, ELB, MTG		EA	
8	PD020004	10X3/8PH.HD.TYPE 25 REPL PD040125		EA	
9	027102-041	BURNER STEM ASM, E, LP		EA	
10	PB020191	15" FLEX TUBE		EA	
11	027102-043	BURNER STEM ASM, D, LP		EA	
12	036773-000	COVER, FAN		EA	
13	031313-000	DIVERTER, AIR 36		EA	
14	031348-000	BRACKET, FAN, MNT ASM		EA	
Not Shown	NOTE	ILLUSTRATION DOES NOT REFLECT ACTUAL PART		EA	
15	031348-000	BRACKET, FAN, MNT ASM		EA	
Not Shown	NOTE	ILLUSTRATION DOES NOT REFLECT ACTUAL PART		EA	
16	038258-000	DIVIDER, AIR, GRIDDLE		EA	
17	031348-000	BRACKET, FAN, MNT ASM		EA	
Not Shown	NOTE	ILLUSTRATION DOES NOT REFLECT ACTUAL PART		EA	
18	PD040152	SNAP BUSHING		EA	
19	034348-000	BURNER BOX, BVGRC8486G		EA	
20	PB070079	SILICONE EXTRUSION (DGSU)		EA	
21	PB040050	3/8CC MALE COMP. FITTING W/FERRULE		EA	
22	009111-000	VALVE, SOL, SINGLE		EA	
23	PB020218	3/8 S.S. FLEX TUBING 70"		EA	
24	PB020126	3/8" S.S. FLEX TUBING 15" (DGCU)		EA	



Item	Part No.	Name	Qty	Uom	NOTES
25	009112-000	VALVE, SOL, DOUBLE		EA	
26	PB020217	3/8 S.S. FLEX TUBING 57"		EA	

CONTROL PANEL



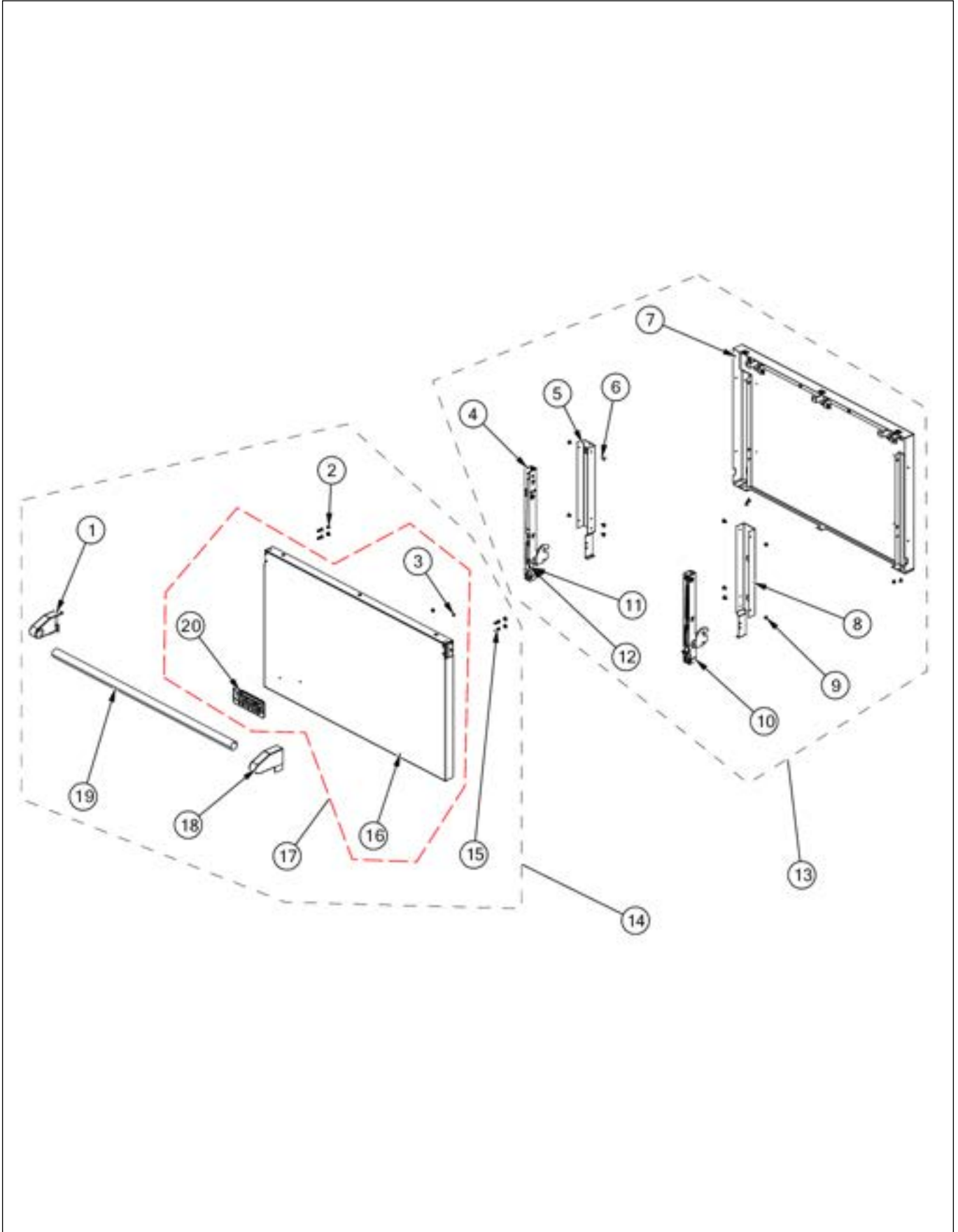


Item	Part No.	Name	Qty	Uom	NOTES
1	026591-000	KNOB ASM, TOP BURNER, BRIGADE	6	EA	
2	040122-000	SWITCH, PUSH BTTN, ASSY	1	EA	Not available online / Call for pricing and availability
3	PD020046	' #8 X 1/2 SCREWS	13	EA	
4	PD040004	GROMMET BUMPER	4	EA	
5	033460-2487	PANEL, CTRL, ASM BVGRC8486G W/GRAPHICS	1	EA	
6	035329-000	SHELF, PLATE, ASM BVGRC848	1	EA	
7	027954-000	JUMPER, THERMOSTAT, BRIGADE	1	EA	
8	PD010012	VALVE BOLT 1/4-20 UNC-2B 5/16" M.S.	10	EA	
9	034366-000	VALVE, BRNR 9/16-24 UNEF ASM	6	EA	
10	003860-000	10-18 x .500 FASTNR, SCR, HXWH, STL, ZPLT	4	EA	
11	007147-000	SHUT OFF VALVE	3	EA	
12	039031-000	VALVE, CAP, BRS, 3/8"	2	EA	
13	013320-000	VALVE, SHUTOFF, 90 DEGREE	1	EA	
14	PB040192	3/8"" CC FERREL (DGCU)	2	EA	
15	PB040213	3/8" COMPRESSION NUT (DGCU)	2	EA	
16	036782-000	MANIFOLD, BRIGADE, 36" LH	1	EA	
17	PA070003	PRESSURE REGULATOR (NAT.)	2	EA	
18	PB040046	1/2" CLOSE NIPPLE	1	EA	
19	PA050031	PIPE TEE - 1/2" FEMALE	1	EA	
20	PA050033	PIPE NIPPLE - 1/2" X 3"	1	EA	
21	PB040053	1/2" 90 DEG, ELBOW	1	EA	
22	036811-000	FITTING, 5/8" OD TUBE, 1/2" NPTF	2	EA	
23	036744-000	TUBE, MANIFOLD, CONNECTING, SUPPORT	1	EA	
24	036787-000	MANIFOLD, BRIGADE, 36" RH	1	EA	
25	PD020004	10X3/8PH.HD.TYPE 25 REPL PD040125	2	EA	



Item	Part No.	Name	Qty	Uom	NOTES
26	013213-000	TSTAT, SMPS, ELEC, 2-POS, .91" SHAFT, CB	2	EA	
27	015170-000	HOUSING, LIGHT, BLUE NEON, 125V	2	EA	
28	027968-000	INDICATOR, LIGHT, BLUE	2	EA	
29	038655-000	GRIDDLE,JUMPER,BRIGADE	1	EA	
30	PD020073	SRW #10 X 24 X 3/8 WAFER HD TYPE23	2	EA	
31	035325-000	PANEL, CTRL, TRIM BVGRC848	1	EA	
32	040135-000	SWITCH, PUSH BTTN, W/LT, ASSY	1	EA	
33	026769-000	KNOB, BEZEL, OVERSIZED	8	EA	
34	PD020269	#8 PAN HEAD SCREW	4	EA	
35	037764-000	KNOB, ASM, GRIDDLE, BRIGADE	1	EA	
36	026592-000	THERMOSTAT, KNOB, ASM, SS	1	EA	

DOOR ASSEMBLY





Item	Part No.	Name	Qty	Uom	NOTES
1	031406-000	ENDCAP, HDL, LH ASSY	1	EA	
2	004907-000	STEEL FINISHING PLUG, NICKEL PLTD 25/64" HOLE	4	EA	
3	PD030006	CAPPED WASHER PAL NUT	2	EA	
4	036560-000	HINGE, DAMPENING, BRIGADE	1	EA	
5	033917-000	BRACKET, MTG, HINGE LH	1	EA	
6	PD020002	10 X 1/2 PH.TR.HD.SMS.	32	EA	
7	037417-000	DOOR, IS, WELDED, ASM	1	EA	NO LONGER AVAILABLE
8	033925-000	BRACKET, MTG, HINGE RH	1	EA	
9	PD020032	SRW-8(A)X3/8"PH.WFR HD 7/16DIA*NICL	10	EA	
10	036937-000	HINGE, DOOR, LT GREEN SPRING, BRIGADE W/W	1	EA	
11	PD030010	#10-24 KEPS NUT ZINC PLATED	2	EA	
12	PD010003	10-24 X 1/2 PH.TR.HD.SERD.M.S.	2	EA	
13	028167-000	DOOR ASM, I/S 36" BRIGADE, W/O WIN	1	EA	
14	028169-000	DOOR ASM, O/S, 36" BRIGADE, W/O WIN SS	1	EA	
14	034988-002	DOOR ASM, O/S, 36" BRIGADE, W/O WIN BK	1	EA	
14	034988-003	DOOR ASM, O/S, 36" BRIGADE, W/O WIN BT	1	EA	
14	034988-004	DOOR ASM, O/S, 36" BRIGADE, W/O WIN SG	1	EA	
14	034988-005	DOOR ASM, O/S, 36" BRIGADE, W/O WIN GG	1	EA	
14	034988-006	DOOR ASM, O/S, 36" BRIGADE, W/O WIN WH	1	EA	
14	034988-008	DOOR ASM, O/S, 36" BRIGADE, W/O WIN BU	1	EA	
14	034988-009	DOOR ASM, O/S, 36" BRIGADE, W/O WIN LE	1	EA	
14	034988-010	DOOR ASM, O/S, 36" BRIGADE, W/O WIN MJ	1	EA	
14	034988-012	DOOR ASM, O/S, 36" BRIGADE, W/O WIN VB	1	EA	
14	034988-013	DOOR ASM, O/S, 36" BRIGADE, W/O WIN CB	1	EA	



Item	Part No.	Name	Qty	Uom	NOTES
14	034988-015	DOOR ASM, O/S, 36" BRIGADE, W/O WIN PL	1	EA	
14	034988-016	DOOR ASM, O/S, 36" BRIGADE, W/O WIN CH	1	EA	
14	034988-017	DOOR ASM, O/S, 36" BRIGADE, W/O WIN TP	1	EA	
14	034988-018	DOOR ASM, O/S, 36" BRIGADE, W/O WIN CW NLA	1	EA	
14	034988-021	DOOR ASM, O/S, 36" BRIGADE, W/O WIN SA	1	EA	
14	034988-022	DOOR ASM, O/S, 36" BRIGADE, W/O WIN SE	1	EA	
14	034988-023	DOOR ASM, O/S, 36" BRIGADE, W/O WIN IB	1	EA	
14	034988-024	DOOR ASM, O/S, 36" BRIGADE, W/O WIN AR	1	EA	
14	034988-025	DOOR ASM, O/S, 36" BRIGADE, W/O WIN RR	1	EA	
14	034988-051	DOOR ASM, O/S, 36" BRIGADE, W/O WIN CN	1	EA	
14	034988-052	DOOR ASM, O/S, 36" BRIGADE, W/O WIN DJ	1	EA	
14	034988-053	DOOR ASM, O/S, 36" BRIGADE, W/O WIN KB	1	EA	
14	034988-054	DOOR ASM, O/S, 36" BRIGADE, W/O WIN WS	1	EA	
15	030823-000	#10-32 PAN HEAD PHILLIPS MACHINE SCREW	4	EA	
16	028170-000	PANEL, DOOR, O/S 36", BRIGADE W/O WIN SS	1	EA	
16	034852-002	PANEL, DOOR, O/S 36", BRIGADE W/O WIN BK	1	EA	
16	034852-003	PANEL, DOOR, O/S 36", BRIGADE W/O WIN BT	1	EA	
16	034852-004	PANEL, DOOR, O/S 36", BRIGADE W/O WIN SG	1	EA	
16	034852-005	PANEL, DOOR, O/S 36", BRIGADE W/O WIN GG	1	EA	
16	034852-006	PANEL, DOOR, O/S 36", BRIGADE W/O WIN WH	1	EA	Not available online / Call for pricing and availability
16	034852-008	PANEL, DOOR, O/S 36", BRIGADE W/O WIN BU	1	EA	



Item	Part No.	Name	Qty	Uom	NOTES
16	034852-009	PANEL, DOOR, O/S 36", BRIGADE W/O WIN LE	1	EA	
16	034852-010	PANEL, DOOR, O/S 36", BRIGADE W/O WIN MJ	1	EA	
16	034852-012	PANEL, DOOR, O/S 36", BRIGADE W/O WIN VB	1	EA	
16	034852-013	PANEL, DOOR, O/S 36", BRIGADE W/O WIN CB	1	EA	
16	034852-015	PANEL, DOOR, O/S 36", BRIGADE W/O WIN PL	1	EA	
16	034852-016	PANEL, DOOR, O/S 36", BRIGADE W/O WIN CH	1	EA	
16	034852-017	PANEL, DOOR, O/S 36", BRIGADE W/O WIN TP	1	EA	
16	034852-018	PANEL, DOOR, O/S 36", BRIGADE W/O WIN CW NLA	1	EA	
16	034852-021	PANEL, DOOR, O/S 36", BRIGADE W/O WIN SA	1	EA	
16	034852-022	PANEL, DOOR, O/S 36", BRIGADE W/O WIN SE	1	EA	
16	034852-023	PANEL, DOOR, O/S 36", BRIGADE W/O WIN IB	1	EA	
16	034852-024	PANEL, DOOR, O/S 36", BRIGADE W/O WIN AR	1	EA	
16	034852-025	PANEL, DOOR, O/S 36", BRIGADE W/O WIN RR	1	EA	
16	034852-051	PANEL, DOOR, O/S 36", BRIGADE W/O WIN CN	1	EA	
16	034852-052	PANEL, DOOR, O/S 36", BRIGADE W/O WIN DJ	1	EA	
16	034852-053	PANEL, DOOR, O/S 36", BRIGADE W/O WIN KB	1	EA	
16	034852-054	PANEL, DOOR, O/S 36", BRIGADE W/O WIN WS	1	EA	
17	040303-000	PANEL, DOOR ASM, O/S 36", BRIGADE W/O WIN & LOGO SS	1	EA	
17	040304-002	PANEL, DOOR ASM, O/S 36", BRIGADE W/O WIN & LOGO BK	1	EA	
17	040304-003	PANEL, DOOR ASM, O/S 36", BRIGADE W/O WIN & LOGO BT	1	EA	
17	040304-004	PANEL, DOOR ASM, O/S 36", BRIGADE W/O WIN & LOGO SG	1	EA	
17	040304-005	PANEL, DOOR ASM, O/S 36", BRIGADE W/O WIN & LOGO GG	1	EA	



Item	Part No.	Name	Qty	Uom	NOTES
17	040304-006	PANEL, DOOR ASM, O/S 36", BRIGADE W/O WIN & LOGO WH	1	EA	
17	040304-008	PANEL, DOOR ASM, O/S 36", BRIGADE W/O WIN & LOGO BU	1	EA	
17	040304-009	PANEL, DOOR ASM, O/S 36", BRIGADE W/O WIN & LOGO LE	1	EA	
17	040304-010	PANEL, DOOR ASM, O/S 36", BRIGADE W/O WIN & LOGO MJ	1	EA	
17	040304-012	PANEL, DOOR ASM, O/S 36", BRIGADE W/O WIN & LOGO VB	1	EA	
17	040304-013	PANEL, DOOR ASM, O/S 36", BRIGADE W/O WIN & LOGO CB	1	EA	
17	040304-015	PANEL, DOOR ASM, O/S 36", BRIGADE W/O WIN & LOGO PL	1	EA	
17	040304-016	PANEL, DOOR ASM, O/S 36", BRIGADE W/O WIN & LOGO CH	1	EA	
17	040304-017	PANEL, DOOR ASM, O/S 36", BRIGADE W/O WIN & LOGO TP	1	EA	
17	040304-018	PANEL, DOOR ASM, O/S 36", BRIGADE W/O WIN & LOGO CW NLA	1	EA	
17	040304-021	PANEL, DOOR ASM, O/S 36", BRIGADE W/O WIN & LOGO SA	1	EA	
17	040304-022	PANEL, DOOR ASM, O/S 36", BRIGADE W/O WIN & LOGO SE	1	EA	
17	040304-023	PANEL, DOOR ASM, O/S 36", BRIGADE W/O WIN & LOGO IB	1	EA	
17	040304-024	PANEL, DOOR ASM, O/S 36", BRIGADE W/O WIN & LOGO AR	1	EA	
17	040304-025	PANEL, DOOR ASM, O/S 36", BRIGADE W/O WIN & LOGO RR	1	EA	
17	040304-051	PANEL, DOOR ASM, O/S 36", BRIGADE W/O WIN & LOGO CN	1	EA	
17	040304-052	PANEL, DOOR ASM, O/S 36", BRIGADE W/O WIN & LOGO DJ	1	EA	
17	040304-053	PANEL, DOOR ASM, O/S 36", BRIGADE W/O WIN & LOGO KB	1	EA	
17	040304-054	PANEL, DOOR ASM, O/S 36", BRIGADE W/O WIN & LOGO WS	1	EA	
18	031426-000	ENDCAP, HDL, RH ASSY	1	EA	
19	030894-000	HANDLE, DOOR 36" BRIGADE	1	EA	
20	024533-000	NAMEPLATE, 6" BRIGADE BK	1	EA	

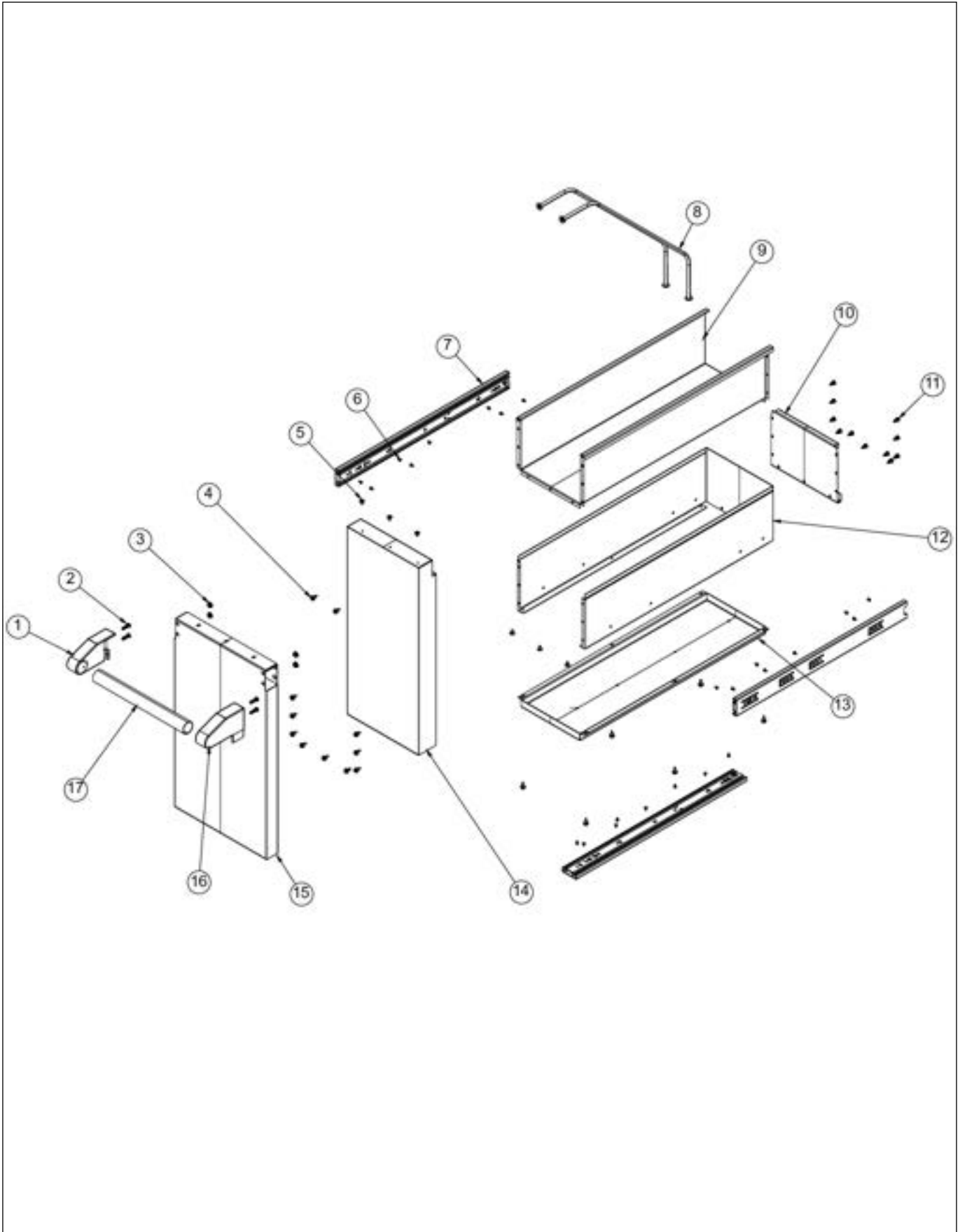


Item	Part No.	Name	Qty	Uom	NOTES
NI	028166-000	DOOR ASM, 36" W/O WIN BRIGADE, SS	1	EA	
NI	034999-002	DOOR ASM, 36" W/O WIN BRIGADE BK	1	EA	
NI	034999-003	DOOR ASM, 36" W/O WIN BRIGADE BT	1	EA	
NI	034999-004	DOOR ASM, 36" W/O WIN BRIGADE SG	1	EA	
NI	034999-005	DOOR ASM, 36" W/O WIN BRIGADE GG	1	EA	
NI	034999-006	DOOR ASM, 36" W/O WIN BRIGADE WH	1	EA	
NI	034999-008	DOOR ASM, 36" W/O WIN BRIGADE BU	1	EA	
NI	034999-009	DOOR ASM, 36" W/O WIN BRIGADE LE	1	EA	
NI	034999-010	DOOR ASM, 36" W/O WIN BRIGADE MJ	1	EA	
NI	034999-012	DOOR ASM, 36" W/O WIN BRIGADE VB	1	EA	
NI	034999-013	DOOR ASM, 36" W/O WIN BRIGADE CB	1	EA	
NI	034999-015	DOOR ASM, 36" W/O WIN BRIGADE PL	1	EA	
NI	034999-016	DOOR ASM, 36" W/O WIN BRIGADE CH	1	EA	
NI	034999-017	DOOR ASM, 36" W/O WIN BRIGADE TP	1	EA	
NI	034999-018	DOOR ASM, 36" W/O WIN BRIGADE CW NLA	1	EA	
NI	034999-021	DOOR ASM, 36" W/O WIN BRIGADE SA	1	EA	
NI	034999-022	DOOR ASM, 36" W/O WIN BRIGADE SE	1	EA	
NI	034999-023	DOOR ASM, 36" W/O WIN BRIGADE IB	1	EA	
NI	034999-024	DOOR ASM, 36" W/O WIN BRIGADE AR	1	EA	
NI	034999-025	DOOR ASM, 36" W/O WIN BRIGADE RR	1	EA	
NI	034999-051	DOOR ASM, 36" W/O WIN BRIGADE CN	1	EA	
NI	034999-052	DOOR ASM, 36" W/O WIN BRIGADE DJ	1	EA	



Item	Part No.	Name	Qty	Uom	NOTES
NI	034999-053	DOOR ASM, 36" W/O WIN BRIGADE KB	1	EA	
NI	034999-054	DOOR ASM, 36" W/O WIN BRIGADE WS	1	EA	

DRAWER ASSEMBLY



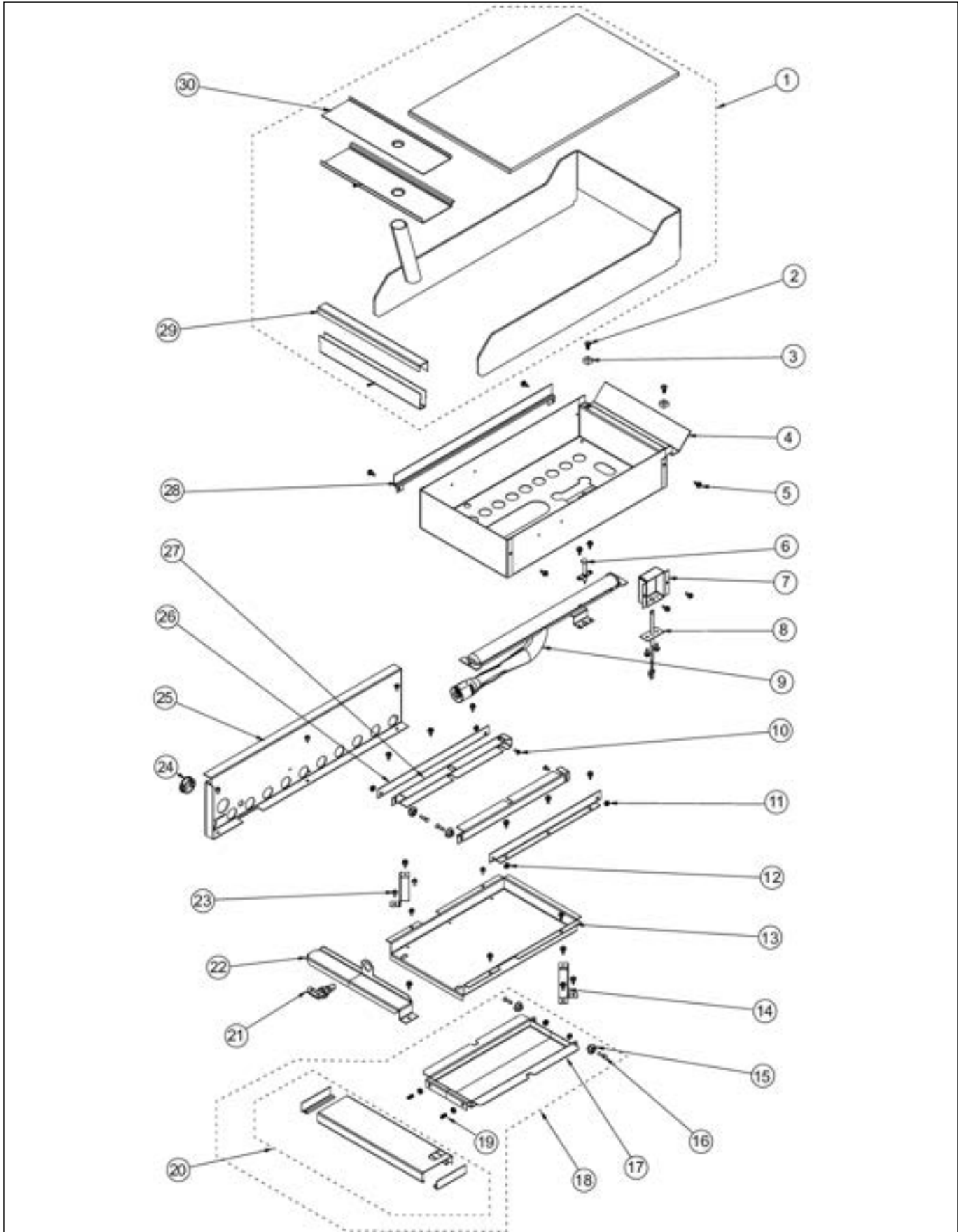


Item	Part No.	Name	Qty	Uom	NOTES
1	031406-000	ENDCAP, HDL, LH ASSY	1	EA	
2	030823-000	#10-32 PAN HEAD PHILLIPS MACHINE SCREW	4	EA	
3	004907-000	STEEL FINISHING PLUG, NICKEL PLTD 25/64" HOLE	4	EA	
4	003860-000	10-18 x .500 FASTNR,SCR,HXWH,STL,ZPLT	17	EA	
5	PD020032	SRW-8(A)X3/8"PH.WFR HD 7/16DIA*NICL	6	EA	
6	PC040014	POP RIVOT-SS42 *SS*	23	EA	
7	PC080010	SLIDE	3	EA	
8	034315-000	DIVIDER, ROD	2	EA	
9	034311-000	BASE, DRAWER	1	EA	
10	034312-000	PANEL, DRAWER REAR	1	EA	
11	PD020055	#10 X 1/2" PAN PHIL. TEK.*SS*	11	EA	
12	034313-000	FRAME, OUTER DRAWER	1	EA	
13	034355-000	MOUNT, DRAWER SLIDE	1	EA	
14	034310-000	LINER, DRAWER FRONT	1	EA	
15	034309-000	SKIN, DRAWER FRONT	1	EA	
15	038874-002	SKIN, DRAWER, FRONT, BK	1	EA	
15	038874-003	SKIN, DRAWER, FRONT, BT	1	EA	
15	038874-004	SKIN, DRAWER, FRONT, SG	1	EA	
15	038874-005	SKIN, DRAWER, FRONT, GG	1	EA	
15	038874-006	SKIN, DRAWER, FRONT, WH	1	EA	
15	038874-008	SKIN, DRAWER, FRONT, BU	1	EA	
15	038874-009	SKIN, DRAWER, FRONT, LE	1	EA	
15	038874-010	SKIN, DRAWER, FRONT, MJ	1	EA	
15	038874-012	SKIN, DRAWER, FRONT, VB	1	EA	
15	038874-013	SKIN, DRAWER, FRONT, CB	1	EA	
15	038874-015	SKIN, DRAWER, FRONT, PL	1	EA	
15	038874-016	SKIN, DRAWER, FRONT, CH	1	EA	
15	038874-017	SKIN, DRAWER, FRONT, TP	1	EA	
15	038874-018	SKIN, DRAWER, FRONT, CW NLA	1	EA	
15	038874-021	SKIN, DRAWER, FRONT, SA	1	EA	



Item	Part No.	Name	Qty	Uom	NOTES
15	038874-022	SKIN, DRAWER, FRONT, SE	1	EA	
15	038874-023	SKIN, DRAWER, FRONT, IB	1	EA	
15	038874-024	SKIN, DRAWER, FRONT, AR	1	EA	
15	038874-025	SKIN, DRAWER, FRONT, RR	1	EA	
15	038874-051	SKIN, DRAWER, FRONT, CN	1	EA	
15	038874-052	SKIN, DRAWER, FRONT, DJ	1	EA	
15	038874-053	SKIN, DRAWER, FRONT, KB	1	EA	
15	038874-054	SKIN, DRAWER, FRONT, WS	1	EA	
16	031426-000	ENDCAP, HDL, RH ASSY	1	EA	
17	037485-000	HANDLE, 48" DRAWER ASM	1	EA	

GRIDDLE ASSEMBLY



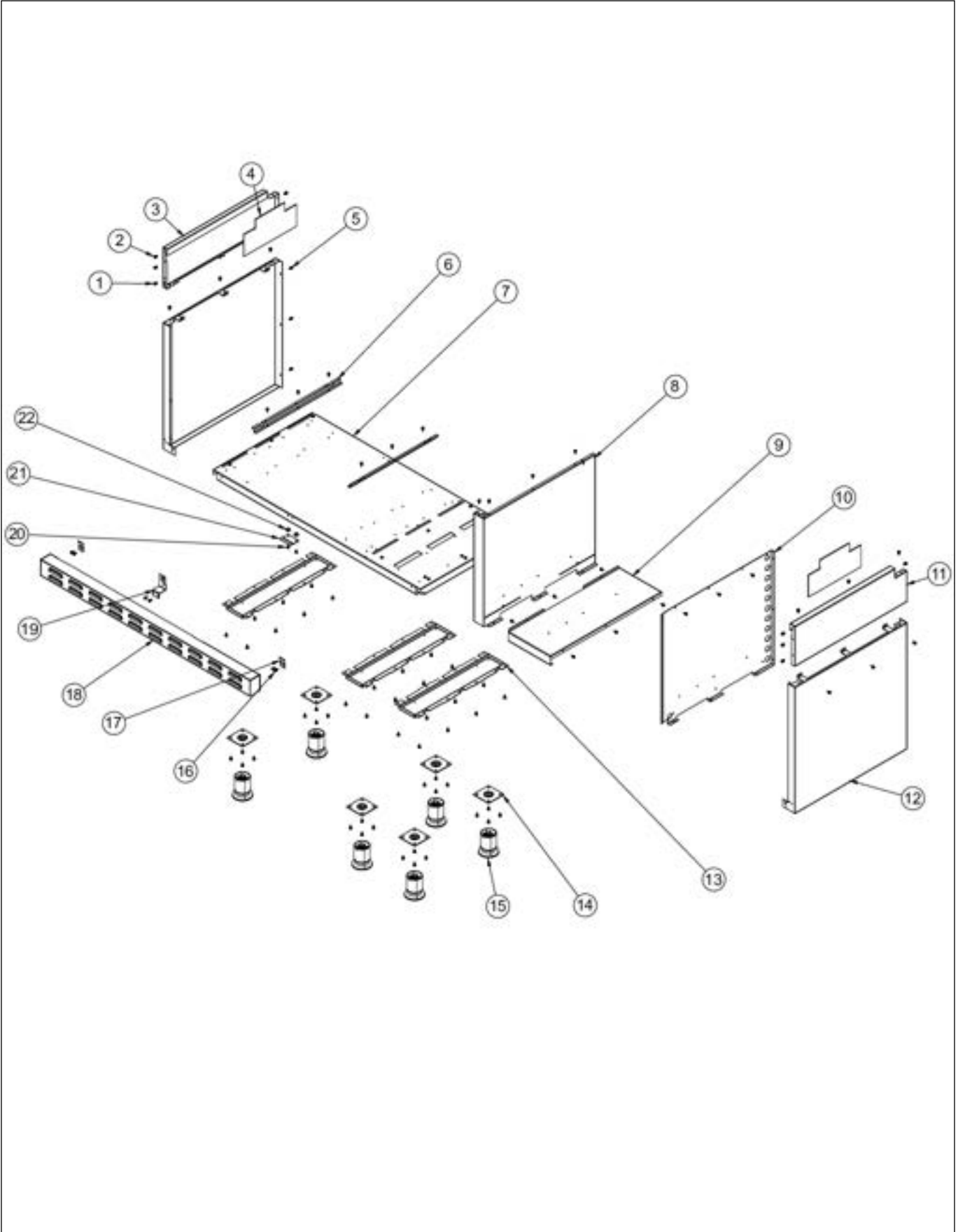


Item	Part No.	Name	Qty	Uom	NOTES
1	039416-000	GRIDDLE, 12" W/A	1	EA	Not available online / Call for pricing and availability
2	PD020056	' #10-24 X 1/2" PH.TR. M.S. *SS*	2	EA	
3	PD030050	10-24 CAGE NUT *SS*	2	EA	
4	027797-000	FIREBOX, GRIDDLE	1	EA	
5	003860-000	10-18 x .500 FASTNR,SCR,HXWH,STL,ZPLT	23	EA	
6	PA020028	SPARK IGNITER	1	EA	
7	027813-000	MOUNT, TEMP SENSOR	1	EA	
8	PE050206	RTD THERMOSTAT PROBE	1	EA	
9	013888-000	GRIDDLE, BURNER, ASM, NAT, W/IGNITOR BRACKET	1	EA	
10	PD020072	#8-32 X 3/8 PH PH MS (VEWD)	2	EA	
11	PD030098	8-32 HEX KEP NUT S.S.	2	EA	
12	PD030044	10-24 KEPS NUT *SS*	6	EA	
13	034320-000	MOUNT, DRIP PAN	1	EA	
14	034333-000	BRACKET,MTG	2	EA	
15	PC020025	DRIP TRAY WHEEL	4	EA	
16	PD020082	10 X 24 COUNTERSUNK S.S. SCREW	4	EA	
17	034319-000	48" DRIP PAN	1	EA	
18	034316-000	DRIP PAN ASM, BVGRC848	1	EA	
19	PD020068	' #10 - 32 X 1/2"TRUSS. PHIL. M.*SS*	2	EA	
20	034317-000	HANDLE, DRIP PAN ASM, 48"	1	EA	
21	PB040190	90 DEGREE ORIFICE FITTING #50 NAT	1	EA	
22	034332-000	BRACKET, ORIFICE	1	EA	
23	PD020004	10X3/8PH.HD.TYPE 25 REPL PD040125	7	EA	
24	PD040152	SNAP BUSHING	1	EA	
25	036011-000	SUPPORT, BURNER, RH BVGRC8486G	1	EA	
26	034331-000	BRACKET, SLIDE	2	EA	
27	034328-000	CHANNEL SLIDE	2	EA	



Item	Part No.	Name	Qty	Uom	NOTES
28	027852-000	INSULATION RETAINER, GRIDDLE	1	EA	
29	034321-000	TRIM, FRONT, GDL	1	EA	
30	038932-000	TRIM, CVR , GRIDDLE, 12"	1	EA	

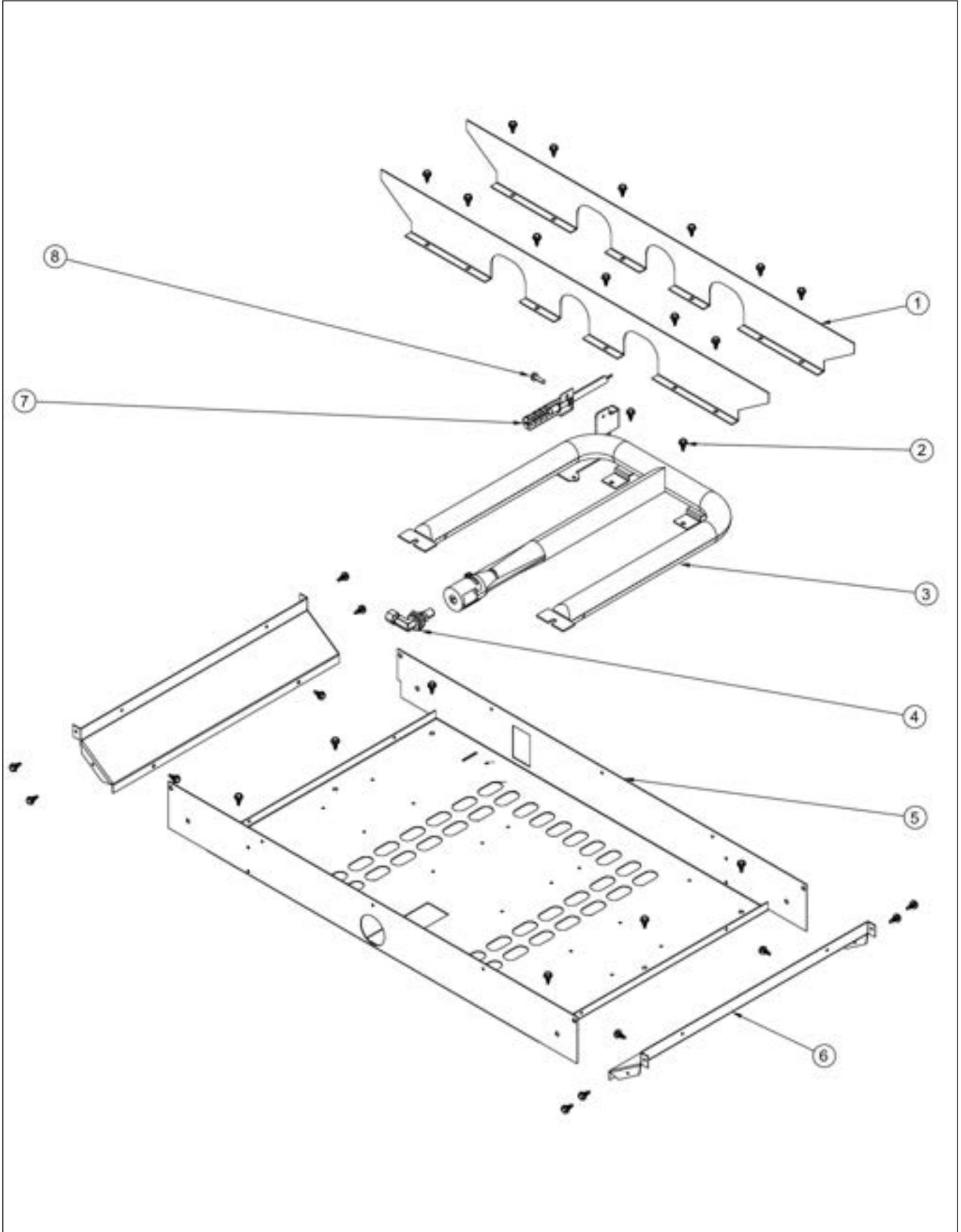
LOWER UNIT AND SIDE PANELS





Item	Part No.	Name	Qty	Uom	NOTES
1	014143-000	SCR 10-12 A SHLD TRP 1/2 S ZN BLUE	4	EA	
2	003801-000	SHOULDER SCREW, #10	9	EA	
3	030964-000	COVER, OS, LH UPPER	1	EA	
4	031477-000	INSULATION, 6 X 12 FOIL BACKED	2	EA	
5	003860-000	10-18 x .500 FASTNR,SCR,HXWH,STL,ZPLT	77	EA	
6	NON-SERVICEABLE	OVEN BOTTOM INSUL. BRACE (VGSC306)	2	EA	
7	034346-000	BASE, BOTTOM, 48" ASM	1	EA	
8	034329-000	SIDE, CABINET, LH	1	EA	
9	034330-000	BOTTOM, CABINET	1	EA	
10	034327-000	RETAINER, SIDE INSUL, RH	1	EA	
11	034350-000	PANEL, BRIGADE, RH	1	EA	
12	025842-000	SIDE PANEL, O/S RH SS	1	EA	
13	NON-SERVICEABLE	BRACKET, LEG OFFSET	3	EA	
14	PC030007	LEG PLATE - 3/4" THREADED HOLE	6	EA	
15	020001-000	LEG, RANGE, ADJUSTABLE	6	EA	
16	PD020048	NO.10 X 1/2 TEK 410 SS SCREW	2	EA	
17	037525-000	CLIP, RCVR, KICKPLATE	2	EA	
18	033337-000	KICKPLATE, 48" SS	1	EA	
19	031476-000	BRACKET, BAKE ORIFICE	1	EA	
20	PD020033	SRW-#10-24X1/2"(23)PH.WFR HD (NKL)	2	EA	
21	037583-000	BRACKET, BOT, KICKPLATE	1	EA	
22	PD030005	SELF RETAINING NUT	2	EA	

OVEN BURNER AREA





Item	Part No.	Name	Qty	Uom	NOTES
1	038575-000	OVEN,CVTY,CHANNEL, HEAT	2	EA	
2	PD020048	NO.10 X 1/2 TEK 410 SS SCREW	32	EA	
3	008191-000	OVEN BURNER ASSY	1	EA	
4	038590-000	90 DEG. ORIFICE FITTING	1	EA	
5	037407-402	OVEN,CVTY,BOT,BRIGADE 36" PORCELAIN BK	1	EA	
6	014747-000	BRACKET, BNR, SIDE, PORCELAIN	2	EA	
7	PB040170	BAKE IGNITION ELECTRODE	1	EA	
8	023005-000	SCREW,HEX,WASHER HEAD, #10-32X1/2"	1	EA	

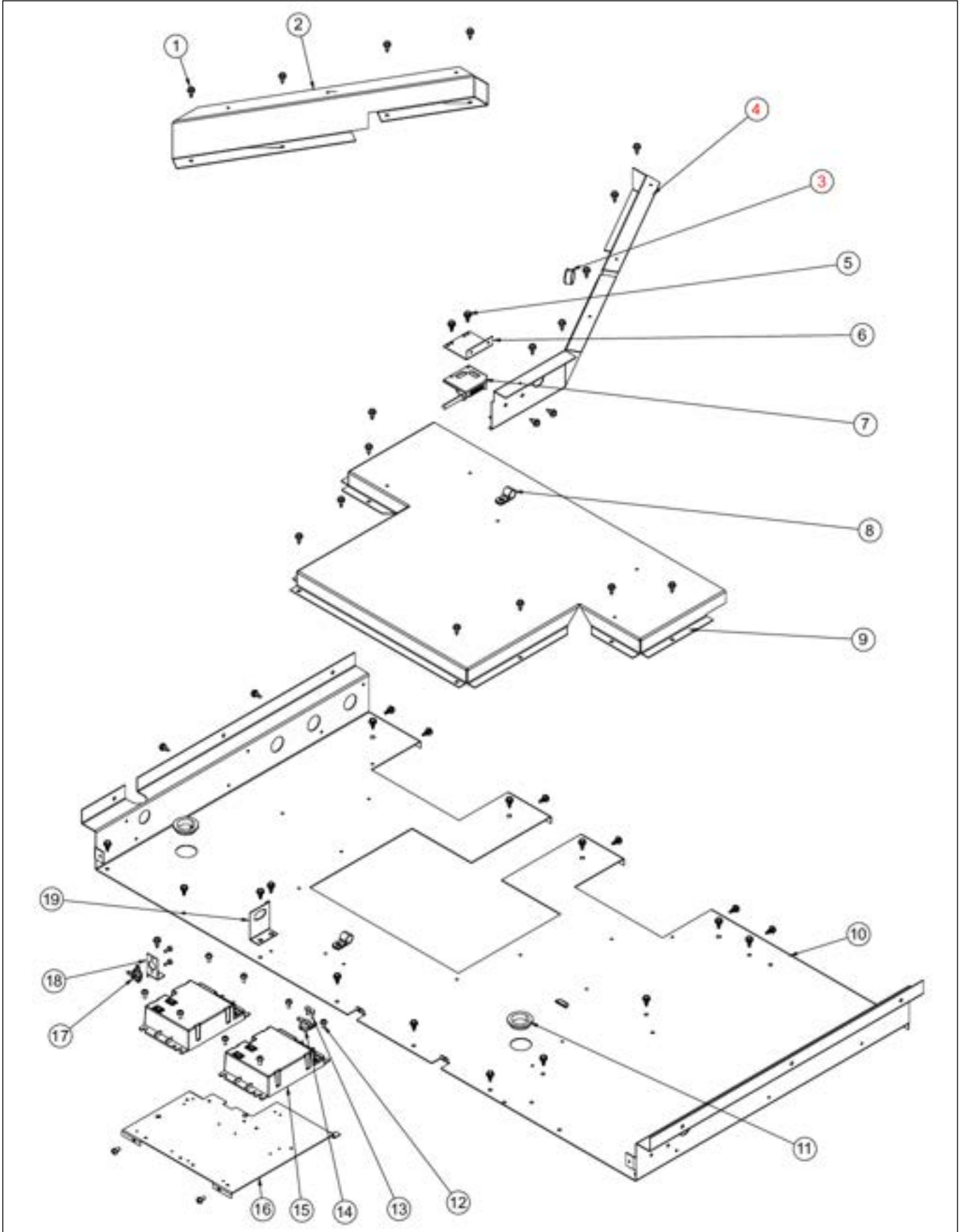


Item	Part No.	Name	Qty	Uom	NOTES
1	027923-000	FLUE BOX ASM	2	EA	
2	PD020048	NO.10 X 1/2 TEK 410 SS SCREW	28	EA	
3	G3001876	IR BURNER ASSY (VGSC/RC) N/S	1	EA	
4	PD030018	PALNUT - 3/4-16	1	EA	
5	PB040040	ORIFICE-IR BURNER (VGSC) (NAT #47)	1	EA	
6	PB040178	90 DEGREE ORIFICE FITTING (VGSC306)	1	EA	
7	034806-000	COVER, CONV FAN	1	EA	
8	PB070208	CONVECTION FAN INSULATION	1	EA	
9	025823-000	PANEL, INSUL 36" REAR	1	EA	
10	007008-000	RTD PROBE	1	EA	
11	003860-000	10-18 x .500 FASTNR,SCR,HXWH,STL,ZPLT	34	EA	
12	030813-000	SWITCH, TSTAT, SPDT	1	EA	
13	066367-000	MOTOR, CONV, 120V	1	EA	
14	021197-000	BOX, INSULATION, FAN	1	EA	
15	021199-000	COVER, BOX, INSULATION	1	EA	
16	023090-000	MOTOR, CONV ASM	1	EA	
17	034097-000	SUPPORT, RACK, BRIGADE 36"	2	EA	
18	033404-000	PANEL, SIDE, INSUL	1	EA	
19	PD030118	INSULATED CLAMP	1	EA	
20	068653-601	LIGHT, 120V/25W, G9, HALOGEN, SIDE	4	EA	
21	PD020166	#10 X 3/4" PAN PHIL. TEK. *SS*	4	EA	NO LONGER AVAILABLE
22	026532-000	CAVITY, OVEN 36" BOTTOM	1	EA	
23	025829-000	COVER, BURNER 36" BOTTOM	1	EA	
24	037827-000	PLATE, VENT, BOT	1	EA	
25	038617-000	DIVERTER, HEAT, BNR, CVR, BTM	2	EA	
26	033682-000	100906 TC NUT, 1/4-290, SERRATED HEX FLANGE, PLATED STEEL	7	EA	
27	PD020232	#8 X 3/4" PH PAN HEAD TEK SCREW (BLACK OXIDE)	2	EA	



Item	Part No.	Name	Qty	Uom	NOTES
28	031679-000	RECEPTACLE, HINGE	2	EA	
29	036710-000	BRACKET, HINGE, WELD ASM, RH	1	EA	
30	026905-000	GASKET, DOOR 36"	1	EA	
31	027576-000	HINGE, BRKT, LH, WELD ASSY	1	EA	
32	PD020057	' #10 X 1" FLAT HD. TEK.*SS*	2	EA	
33	007278-000	ARM HINGE CLIP	2	EA	
34	PD040005	SNAP BUSHING - 7/8"	2	EA	
35	NON-SERVICEABLE	CAVITY, OVEN 36" BRIGADE	1	EA	
36	PD020067	#6 X 3/8" PAN PHIL. TEK *SS*	4	EA	
37	027349-000	PANEL, INSULATION LH	1	EA	
38	020409-000	BRACKET, SPRT, FR, I/R BROILER	1	EA	
39	PB040171	BROIL IGNITION ELECTRODE	1	EA	
40	020412-000	BRACKET, SPRT, REAR, I/R BROILER	1	EA	

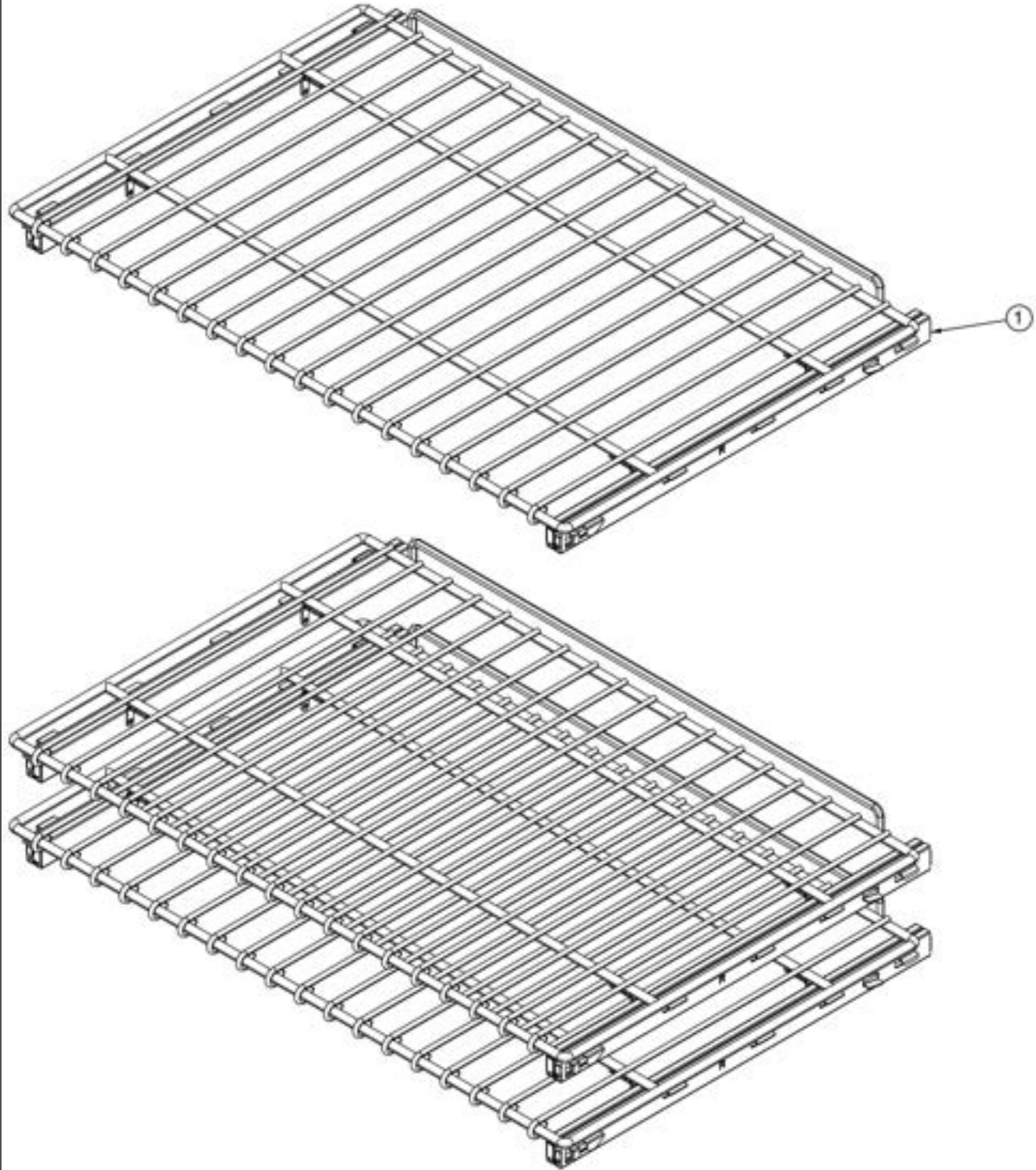
OVEN ELECTRONICS





Item	Part No.	Name	Qty	Uom	NOTES
1	003860-000	10-18 x .500 FASTNR,SCR,HXWH,STL,ZPLT	22	EA	
2	027311-000	DIVERTER, AIR LH	1	EA	
3	PD040005	SNAP BUSHING - 7/8"	1	EA	
4	036016-000	DIVERTER, AIR, RH 48-6G	1	EA	
5	PD020048	NO.10 X 1/2 TEK 410 SS SCREW	22	EA	
6	A20012649	DOOR SWITCH BRACKET	1	EA	
7	PE050208	DOOR SWITCH	1	EA	
8	PD030118	INSULATED CLAMP	2	EA	
9	025822-000	COVER, INSL	1	EA	
10	034347-000	PANEL, TOP, INSUL, 48"	1	EA	
11	PB070079	SILICONE EXTRUSION (DGSU)	2	EA	
12	PD020004	10X3/8PH.HD.TYPE 25 REPL PD040125	10	EA	
13	PD020067	#6 X 3/8" PAN PHIL. TEK *SS*	4	EA	
14	PJ030043	BI-METAL THERMOSTAT	1	EA	
15	023651-000	DSI120-2-LVS	2	EA	
16	008011-000	36" ELECTRONIC PLATE	1	EA	
17	PJ030022	BI-METAL THERMOSTAT, 115 DEGREES (FAN SWITCH)	1	EA	
18	012438-000	SWITCH, LIM, BRKT	1	EA	
19	033668-000	BRACKET, DISCONNECT	1	EA	

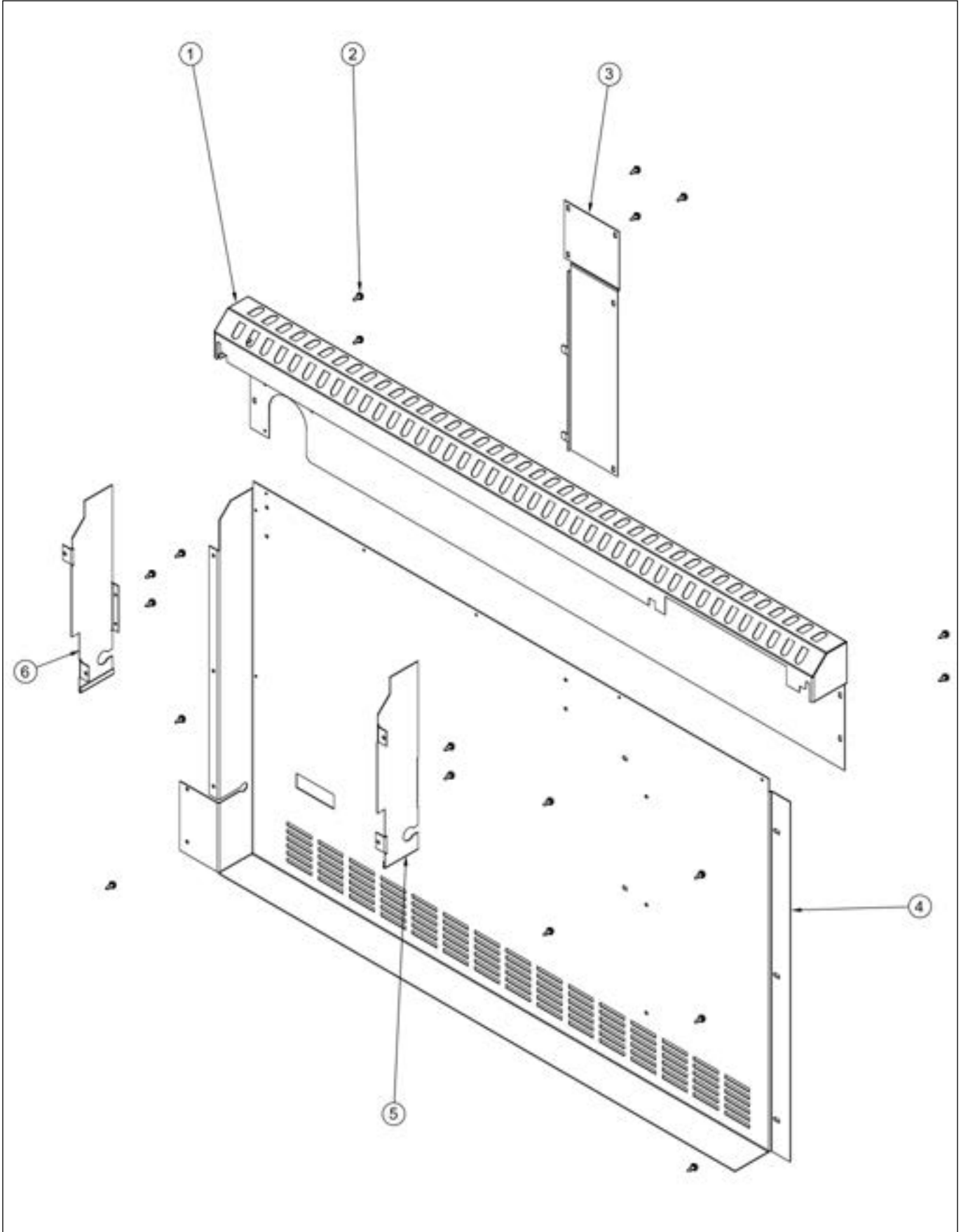
OVEN RACKS





Item	Part No.	Name	Qty	Uom	NOTES
1	029870-000	RACK, GLDE, 36"	3	EA	

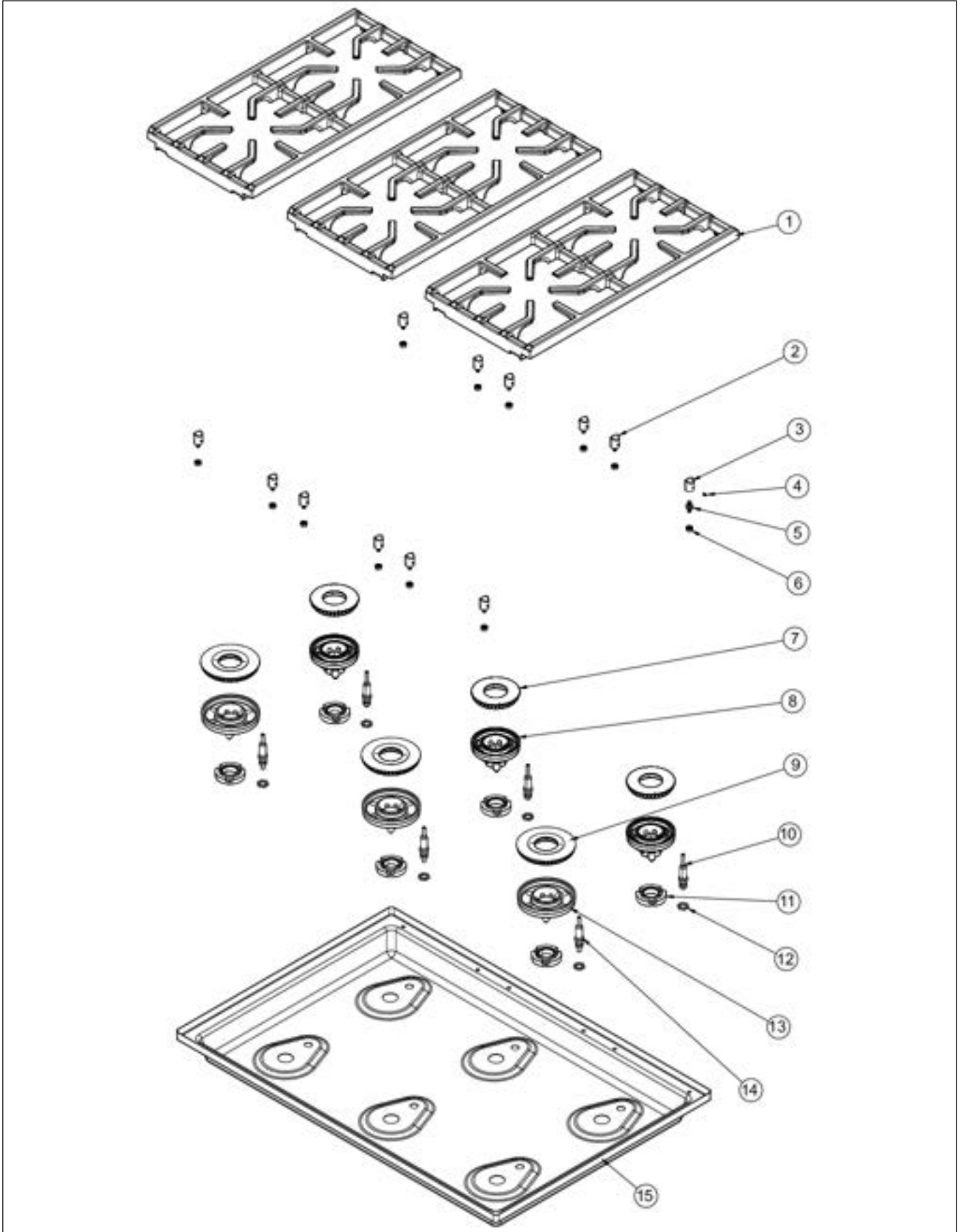
REAR SHEET METAL





Item	Part No.	Name	Qty	Uom	NOTES
1	034337-000	ISLAND TRIM ASM, 48" BRIGADE	1	EA	
2	003860-000	10-18 x .500 FASTNR,SCR,HXWH,STL,ZPLT	19	EA	
3	036551-000	PANEL, ACS, REAR	1	EA	
4	035290-000	COVER, BACK, 48"	1	EA	
5	031395-000	BRACKET, DIVERTER, LH	1	EA	
6	031394-000	BRACKET, DIVERTER, RH	1	EA	

SURFACE COOKING AREA





Item	Part No.	Name	Qty	Uom	NOTES
1	026759-000	GRATE, CAST, 12"	3	EA	Not available online / Call for pricing and availability
2	004902-000	GRATE LEG ASM	12	EA	
3	007655-000	GRATE LEG TOP	1	EA	
4	012566-000	SCREW, SET, 6-40 x 1/4 CUP POINT, SS	1	EA	
5	007653-000	GRATE LEG BASE	1	EA	
6	010330-000	1/4"-20 (L:3/16", W:7/16") LOCK NUT	12	EA	
7	027993-000	BURNER, HEAD, D	3	EA	
8	027994-000	BURNER, BASE, D	3	EA	
9	027990-000	BURNER, HEAD, E	3	EA	
10	027413-000	ELECTRODE, ASM, D	3	EA	
Not Shown	NOTE	(INCLUDES FASTENER)		EA	
11	004930-000	BURNER FLANGE	6	EA	
12	027423-000	FASTENER, FSTN, BRS, BLK, BRS, NUT	6	EA	
13	004726-000	BURNER BASE E SIZE	3	EA	
14	027403-000	ELECTRODE, ASM, E	3	EA	
Not Shown	NOTE	(INCLUDES FASTENER)		EA	
15	026919-000	BOWL, BNR, 36" BRIGADE	1	EA	



Appendix A:Pages Index

BURNER BOX AREA 1
CONTROL PANEL2
DOOR ASSEMBLY 3
DRAWER ASSEMBLY 4
GRIDDLE ASSEMBLY 5
LOWER UNIT AND SIDE PANELS 6
OVEN BURNER AREA 7
OVEN CAVITY 8
OVEN ELECTRONICS 9
OVEN RACKS 10
REAR SHEET METAL 11
SURFACE COOKING AREA 12



Appendix B:Parts Index

003801-000 6	026759-000 12
003860-000 1, 2, 4, 5, 6, 8, 9, 11	026769-000 2
004726-000 12	026905-000 8
004902-000 12	026919-000 12
004907-000 3, 4	027102-041 1
004930-000 12	027102-043 1
007008-000 8	027311-000 9
007147-000 2	027349-000 8
007278-000 8	027403-000 12
007653-000 12	027413-000 12
007655-000 12	027423-000 12
008011-000 9	027576-000 8
008191-000 7	027734-000 1
009111-000 1	027797-000 5
009112-000 1	027813-000 5
010330-000 12	027852-000 5
012438-000 9	027923-000 8
012566-000 12	027954-000 2
013213-000 2	027968-000 2
013320-000 2	027990-000 12
013888-000 5	027993-000 12
014143-000 6	027994-000 12
014747-000 7	028166-000 3
015170-000 2	028167-000 3
020001-000 6	028169-000 3
020409-000 8	028170-000 3
020412-000 8	029870-000 10
021197-000 8	030813-000 8
021199-000 8	030823-000 3, 4
023005-000 7	030894-000 3
023090-000 8	030964-000 6
023651-000 9	031313-000 1
024533-000 3	031348-000 1, 1, 1
025822-000 9	031394-000 11
025823-000 8	031395-000 11
025829-000 8	031406-000 3, 4
025842-000 6	031426-000 3, 4
026532-000 8	031476-000 6
026591-000 2	031477-000 6
026592-000 2	031679-000 8
		033337-000 6



033404-000	8	034852-010	3
033460-2487	2	034852-012	3
033668-000	9	034852-013	3
033682-000	8	034852-015	3
033917-000	3	034852-016	3
033925-000	3	034852-017	3
034097-000	8	034852-018	3
034309-000	4	034852-021	3
034310-000	4	034852-022	3
034311-000	4	034852-023	3
034312-000	4	034852-024	3
034313-000	4	034852-025	3
034315-000	4	034852-051	3
034316-000	5	034852-052	3
034317-000	5	034852-053	3
034319-000	5	034852-054	3
034320-000	5	034988-002	3
034321-000	5	034988-003	3
034327-000	6	034988-004	3
034328-000	5	034988-005	3
034329-000	6	034988-006	3
034330-000	6	034988-008	3
034331-000	5	034988-009	3
034332-000	5	034988-010	3
034333-000	5	034988-012	3
034337-000	11	034988-013	3
034346-000	6	034988-015	3
034347-000	9	034988-016	3
034348-000	1	034988-017	3
034350-000	6	034988-018	3
034355-000	4	034988-021	3
034356-000	1	034988-022	3
034366-000	2	034988-023	3
034806-000	8	034988-024	3
034852-002	3	034988-025	3
034852-003	3	034988-051	3
034852-004	3	034988-052	3
034852-005	3	034988-053	3
034852-006	3	034988-054	3
034852-008	3	034999-002	3
034852-009	3	034999-003	3



034999-004	3	037827-000	8
034999-005	3	038258-000	1
034999-006	3	038575-000	7
034999-008	3	038590-000	7
034999-009	3	038617-000	8
034999-010	3	038655-000	2
034999-012	3	038874-002	4
034999-013	3	038874-003	4
034999-015	3	038874-004	4
034999-016	3	038874-005	4
034999-017	3	038874-006	4
034999-018	3	038874-008	4
034999-021	3	038874-009	4
034999-022	3	038874-010	4
034999-023	3	038874-012	4
034999-024	3	038874-013	4
034999-025	3	038874-015	4
034999-051	3	038874-016	4
034999-052	3	038874-017	4
034999-053	3	038874-018	4
034999-054	3	038874-021	4
035290-000	11	038874-022	4
035325-000	2	038874-023	4
035329-000	2	038874-024	4
036011-000	5	038874-025	4
036016-000	9	038874-051	4
036551-000	11	038874-052	4
036560-000	3	038874-053	4
036710-000	8	038874-054	4
036744-000	2	038932-000	5
036773-000	1	039031-000	2
036782-000	2	039416-000	5
036787-000	2	040122-000	2
036811-000	2	040135-000	2
036937-000	3	040303-000	3
037407-402	7	040304-002	3
037417-000	3	040304-003	3
037485-000	4	040304-004	3
037525-000	6	040304-005	3
037583-000	6	040304-006	3
037764-000	2	040304-008	3



040304-009	3	PB070208	8
040304-010	3	PC020025	5
040304-012	3	PC030007	6
040304-013	3	PC040014	4
040304-015	3	PC080010	4
040304-016	3	PD010003	3
040304-017	3	PD010012	2
040304-018	3	PD010028	1
040304-021	3	PD020002	3
040304-022	3	PD020004	1, 2, 5, 9
040304-023	3	PD020010	1
040304-024	3	PD020032	3, 4
040304-025	3	PD020033	6
040304-051	3	PD020046	2
040304-052	3	PD020048	6, 7, 8, 9
040304-053	3	PD020055	4
040304-054	3	PD020056	5
066367-000	8	PD020057	8
068653-601	8	PD020067	8, 9
A20012649	9	PD020068	5
G3001876	8	PD020072	5
PA020028	5	PD020073	2
PA050031	2	PD020082	5
PA050033	2	PD020166	8
PA070003	2	PD020232	8
PB020126	1	PD020269	2
PB020191	1	PD030005	6
PB020198	1	PD030006	3
PB020217	1	PD030010	3
PB020218	1	PD030018	8
PB040040	8	PD030044	5
PB040046	2	PD030050	5
PB040050	1	PD030098	5
PB040053	2	PD030118	8, 9
PB040170	7	PD040004	2
PB040171	8	PD040005	1, 8, 9
PB040178	8	PD040152	1, 5
PB040190	5	PE050206	5
PB040192	2	PE050208	9
PB040213	2	PJ030022	9
PB070079	1, 9	PJ030043	9